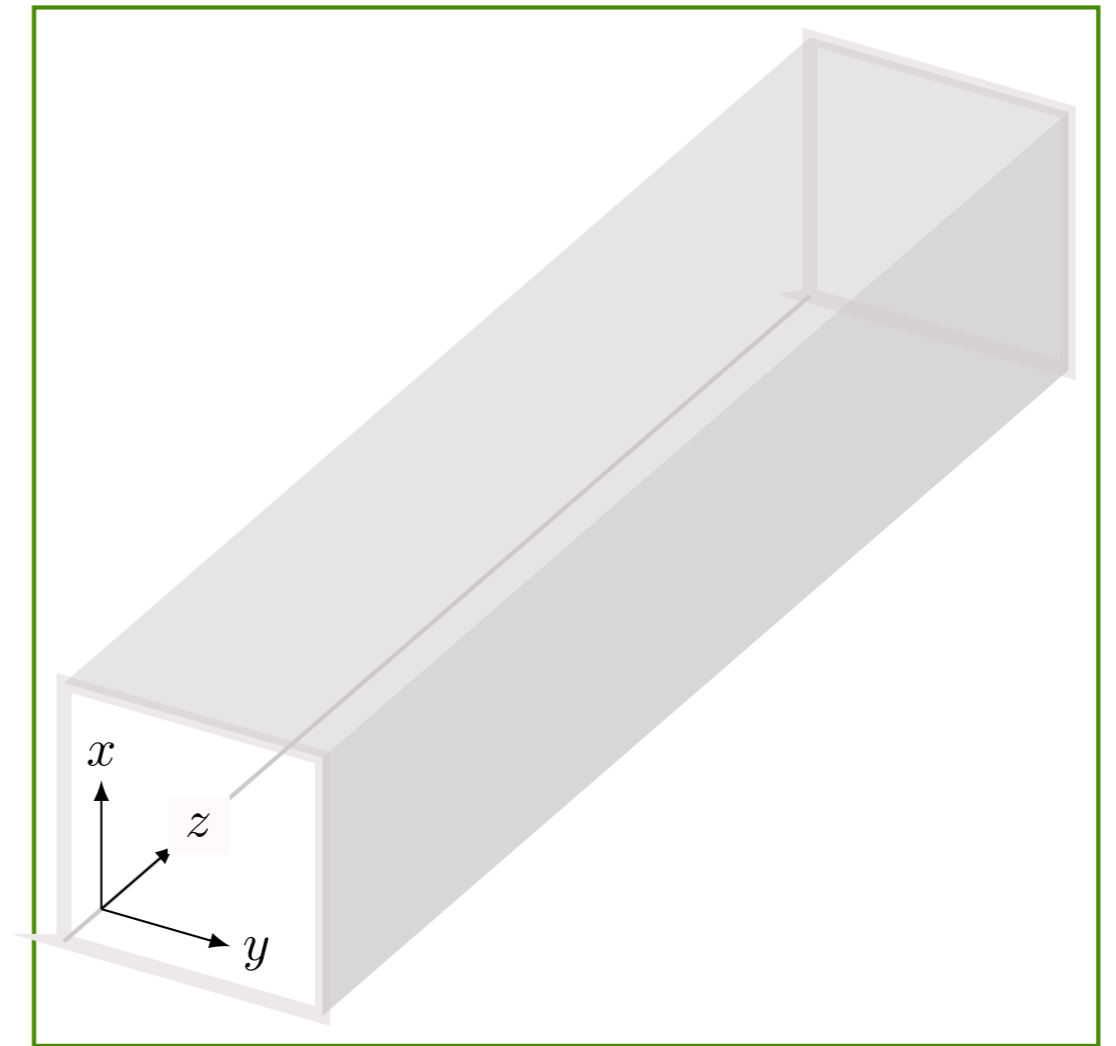


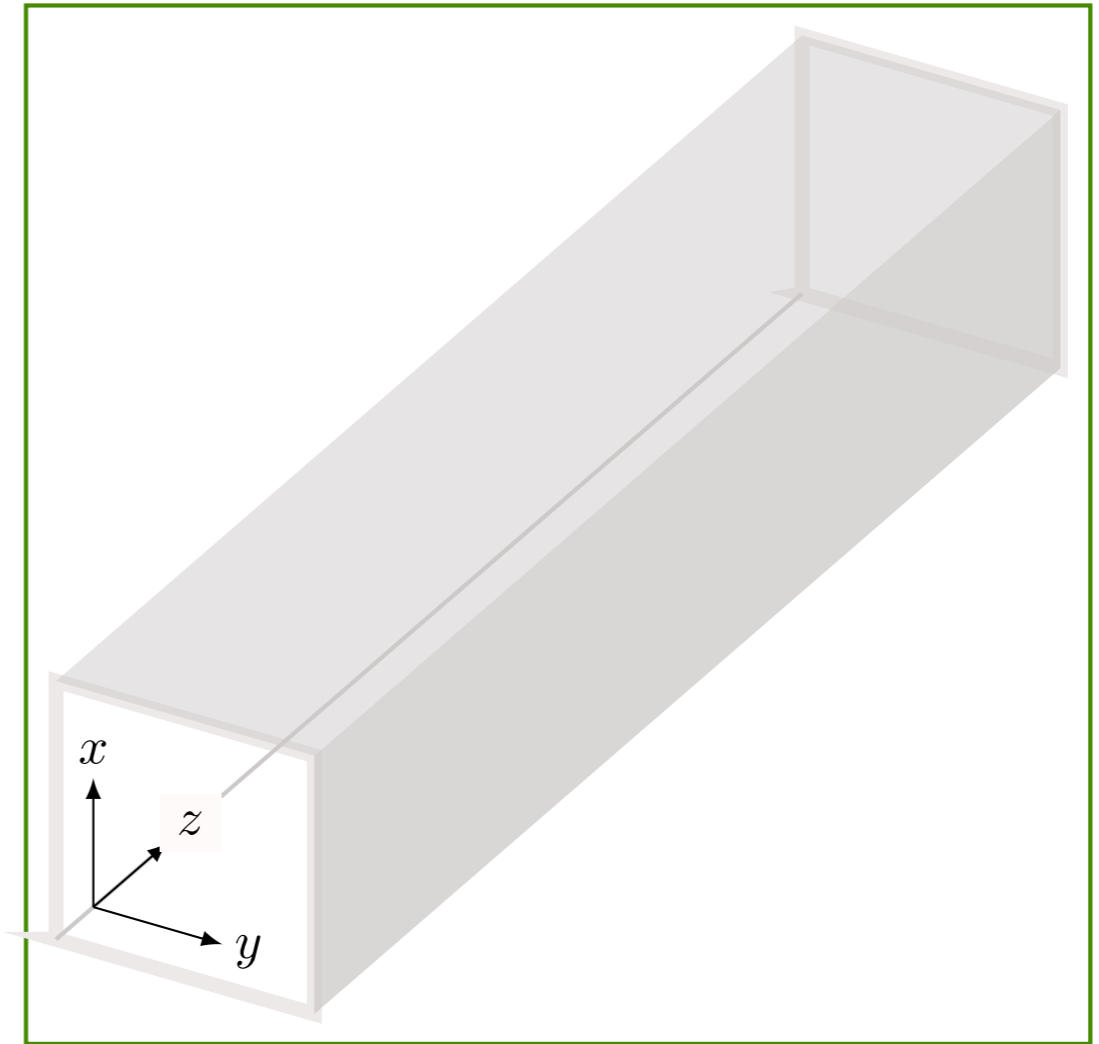
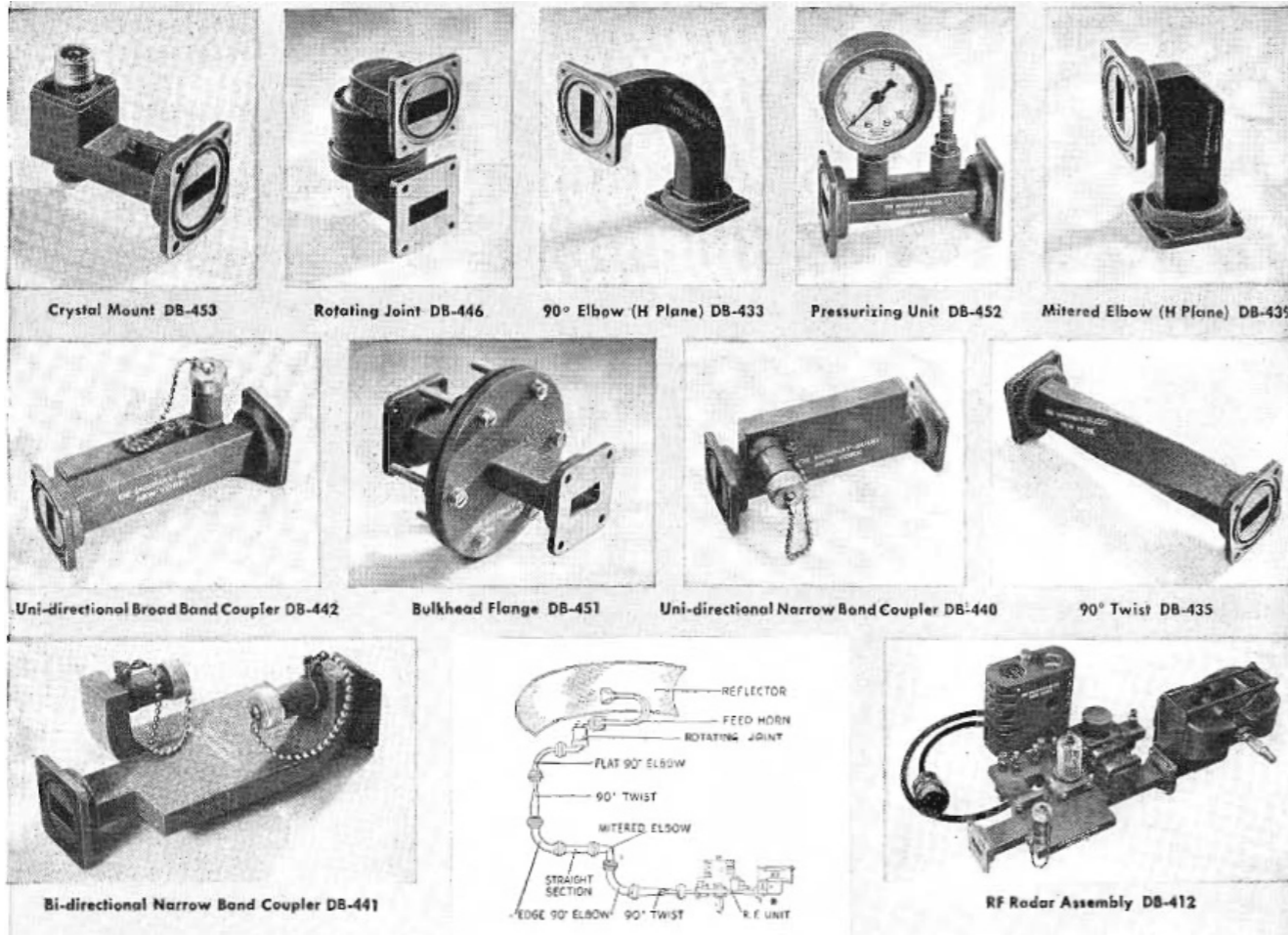
Eletrromagnetismo Avançado

2º ciclo
Aula de 8 outubro

Guias de ondas



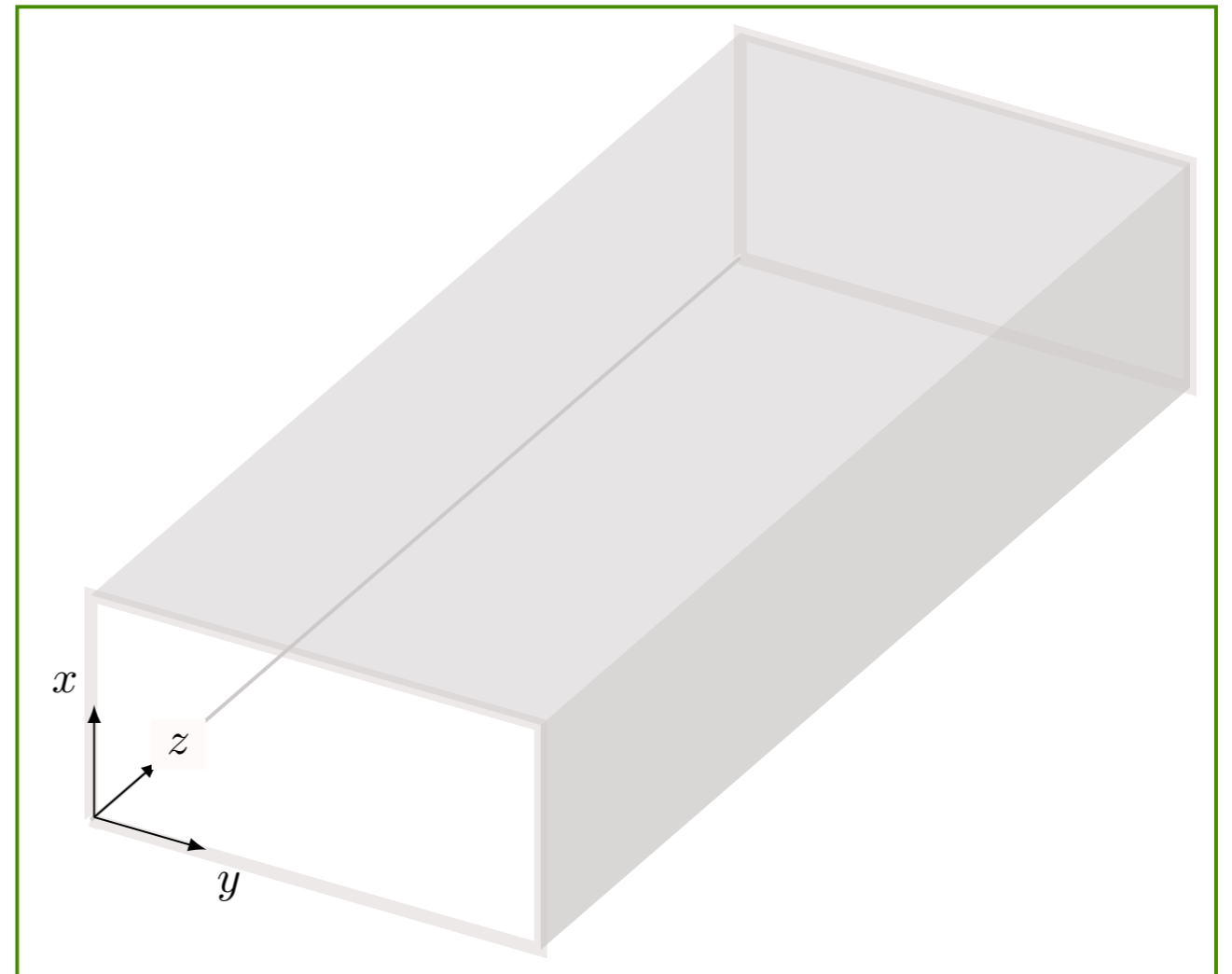
Guias de ondas



Guias de ondas

$$\mathbf{E}_{\parallel} = 0$$

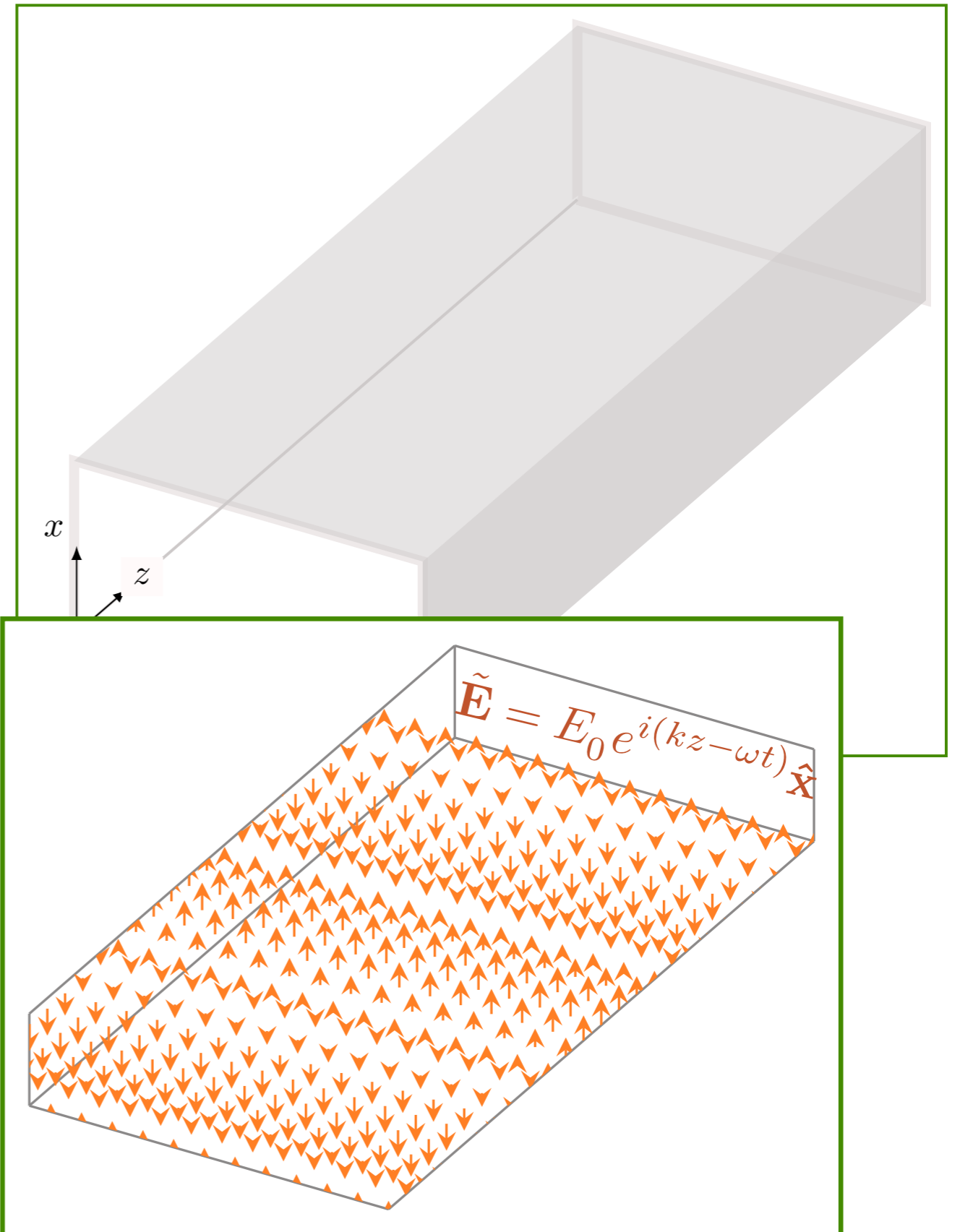
$$B_{\perp} = 0$$



Guias de ondas

$$\mathbf{E}_{\parallel} = 0$$

$$B_{\perp} = 0$$



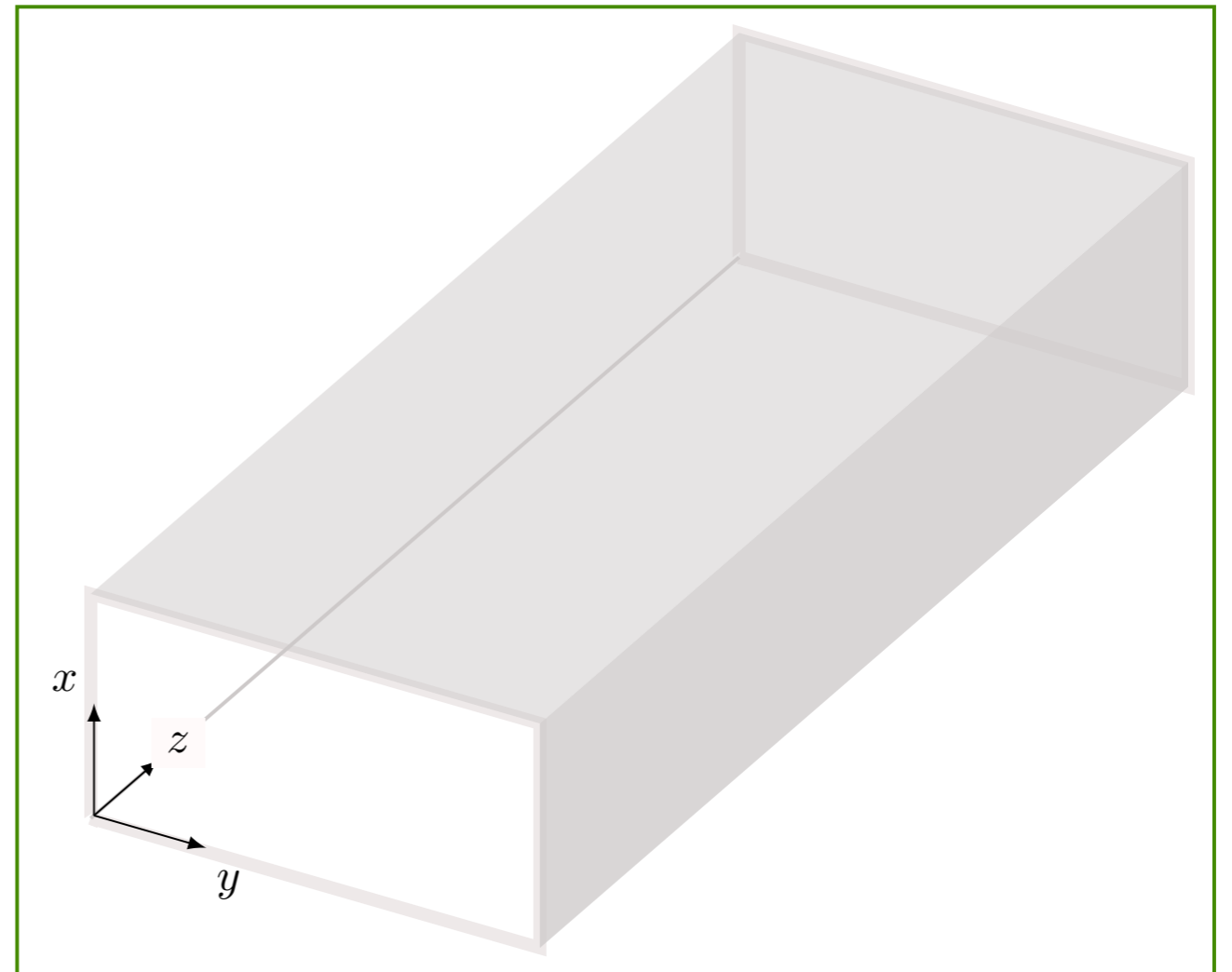
Guias de ondas

$$\mathbf{E}_{\parallel} = 0$$

$$B_{\perp} = 0$$

$$\tilde{\mathbf{E}} = \tilde{\mathbf{E}}_0(x, y)e^{ikz - \omega t}$$

$$\tilde{\mathbf{B}} = \tilde{\mathbf{B}}_0(x, y)e^{ikz - \omega t}$$



Guias de ondas

$$\mathbf{E}_{\parallel} = 0$$

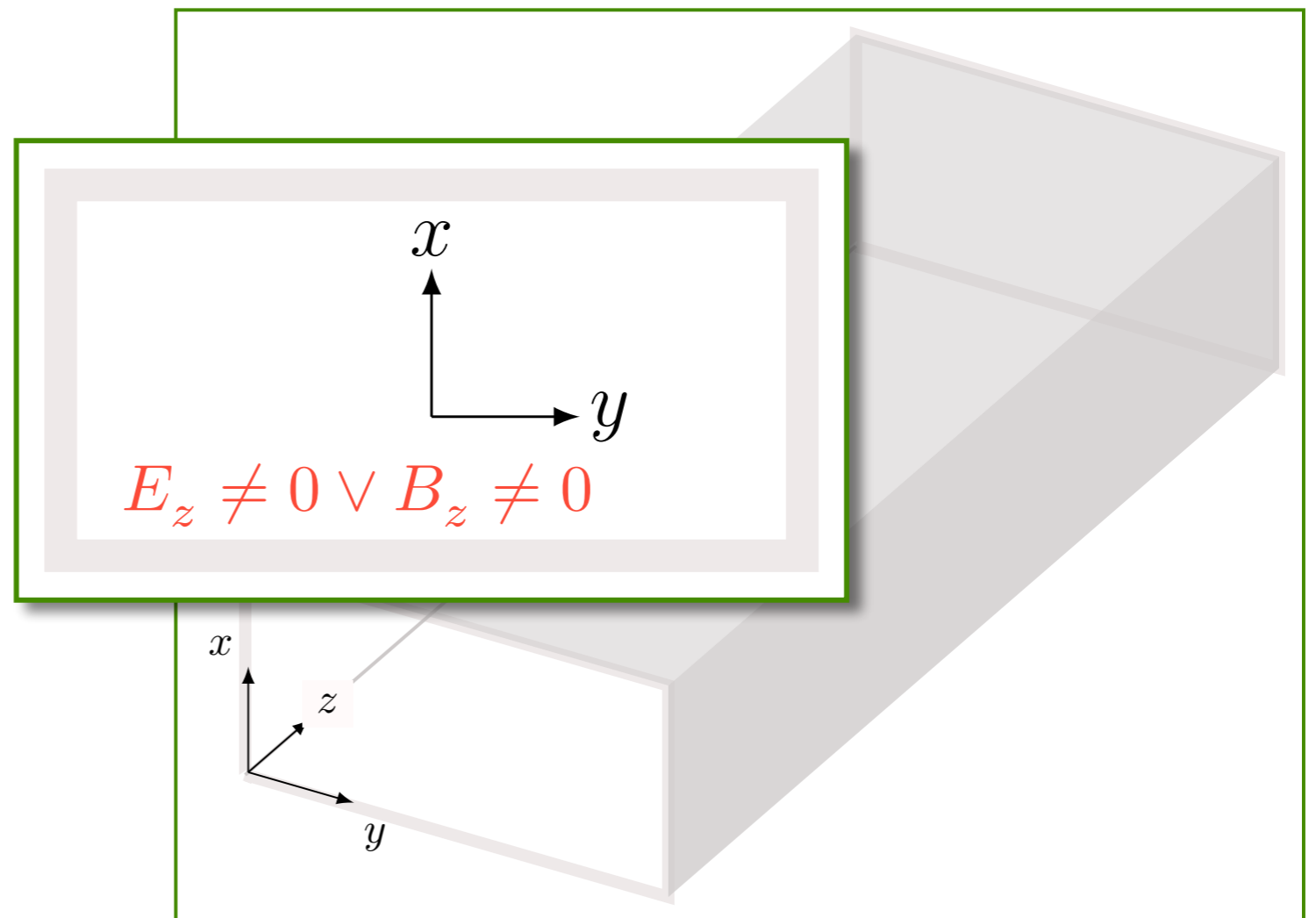
$$B_{\perp} = 0$$

$$\tilde{\mathbf{E}} = \tilde{\mathbf{E}}_0(x, y)e^{ikz - \omega t}$$

$$\tilde{\mathbf{B}} = \tilde{\mathbf{B}}_0(x, y)e^{ikz - \omega t}$$

$$\tilde{\mathbf{E}}_0 = E_x \hat{x} + E_y \hat{y} + E_z \hat{z}$$

$$\tilde{\mathbf{B}}_0 = B_x \hat{x} + B_y \hat{y} + B_z \hat{z}$$



Guias de ondas

$$\mathbf{E}_{\parallel} = 0$$

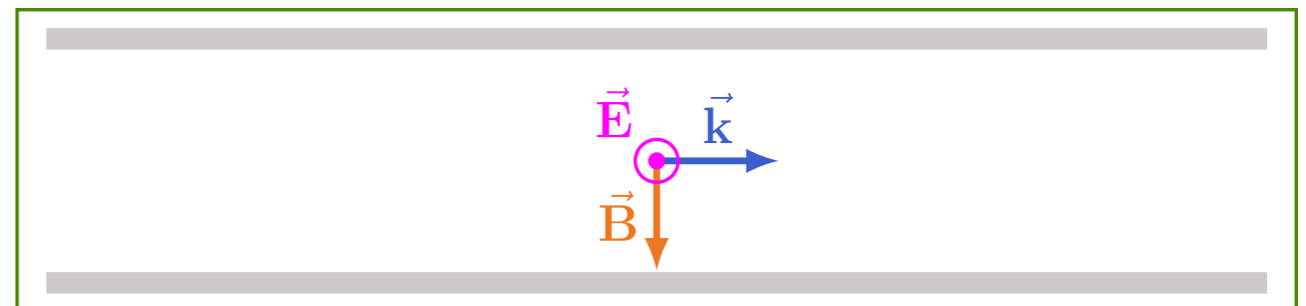
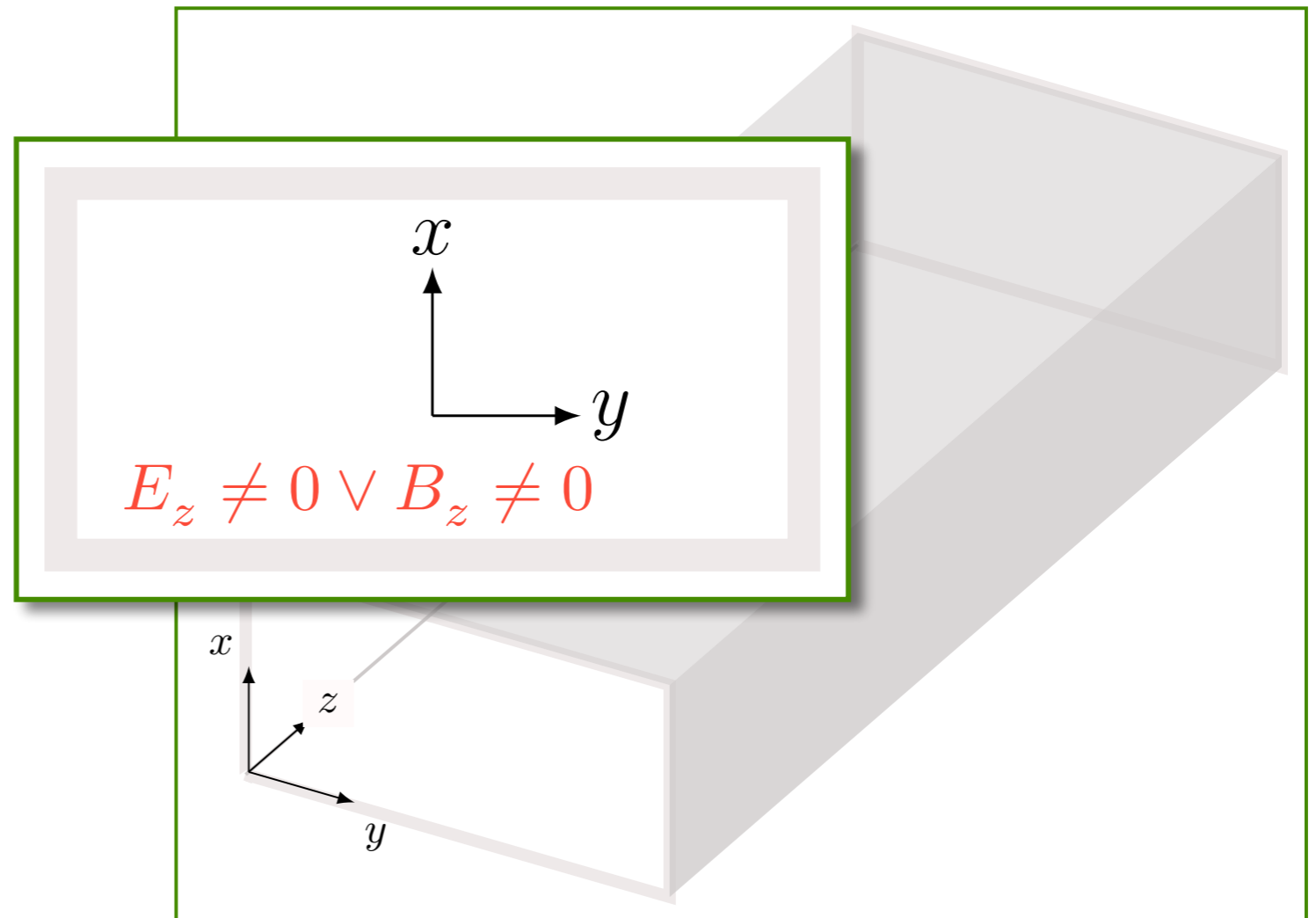
$$B_{\perp} = 0$$

$$\tilde{\mathbf{E}} = \tilde{\mathbf{E}}_0(x, y)e^{ikz - \omega t}$$

$$\tilde{\mathbf{B}} = \tilde{\mathbf{B}}_0(x, y)e^{ikz - \omega t}$$

$$\tilde{\mathbf{E}}_0 = E_x \hat{x} + E_y \hat{y} + E_z \hat{z}$$

$$\tilde{\mathbf{B}}_0 = B_x \hat{x} + B_y \hat{y} + B_z \hat{z}$$



Guias de ondas

$$\mathbf{E}_{\parallel} = 0$$

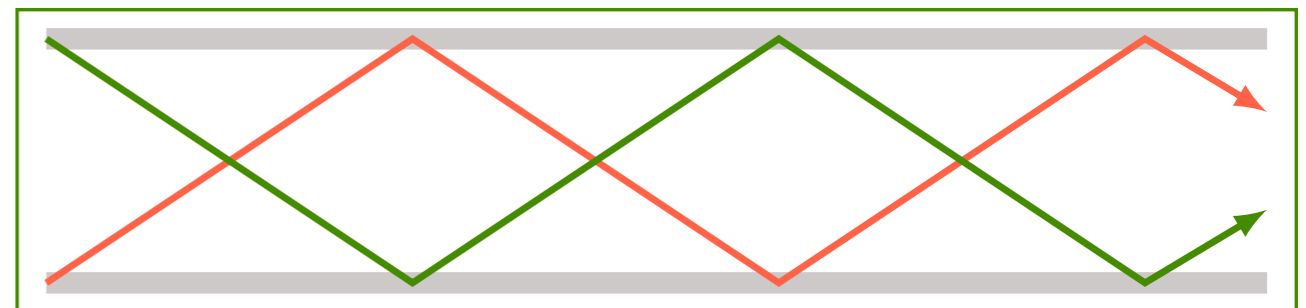
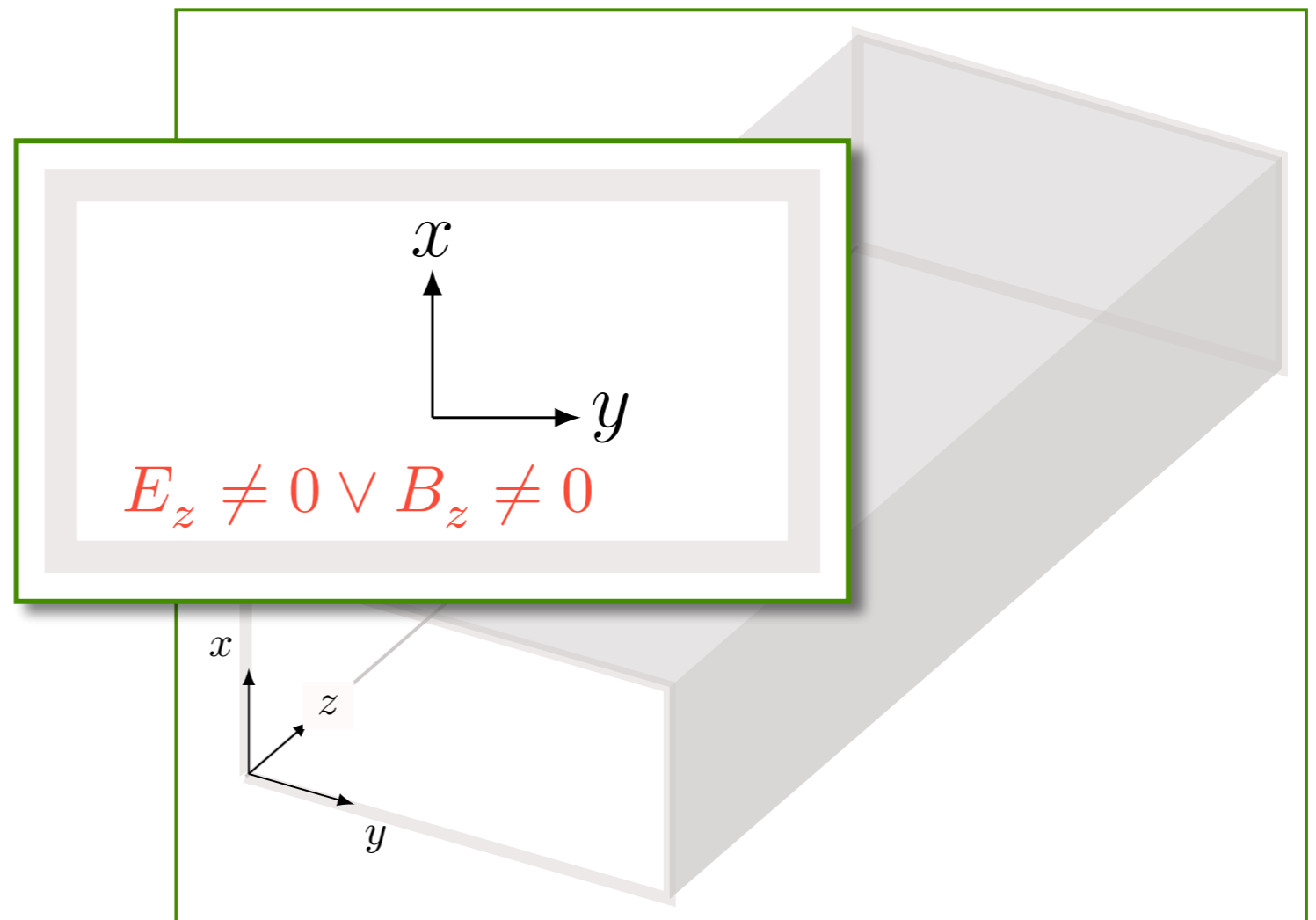
$$B_{\perp} = 0$$

$$\tilde{\mathbf{E}} = \tilde{\mathbf{E}}_0(x, y)e^{ikz - \omega t}$$

$$\tilde{\mathbf{B}} = \tilde{\mathbf{B}}_0(x, y)e^{ikz - \omega t}$$

$$\tilde{\mathbf{E}}_0 = E_x \hat{x} + E_y \hat{y} + E_z \hat{z}$$

$$\tilde{\mathbf{B}}_0 = B_x \hat{x} + B_y \hat{y} + B_z \hat{z}$$



Guias de ondas

$$\mathbf{E}_{\parallel} = 0$$

$$B_{\perp} = 0$$

$$\tilde{\mathbf{E}} = \tilde{\mathbf{E}}_0(x, y)e^{ikz - \omega t}$$

$$\tilde{\mathbf{B}} = \tilde{\mathbf{B}}_0(x, y)e^{ikz - \omega t}$$

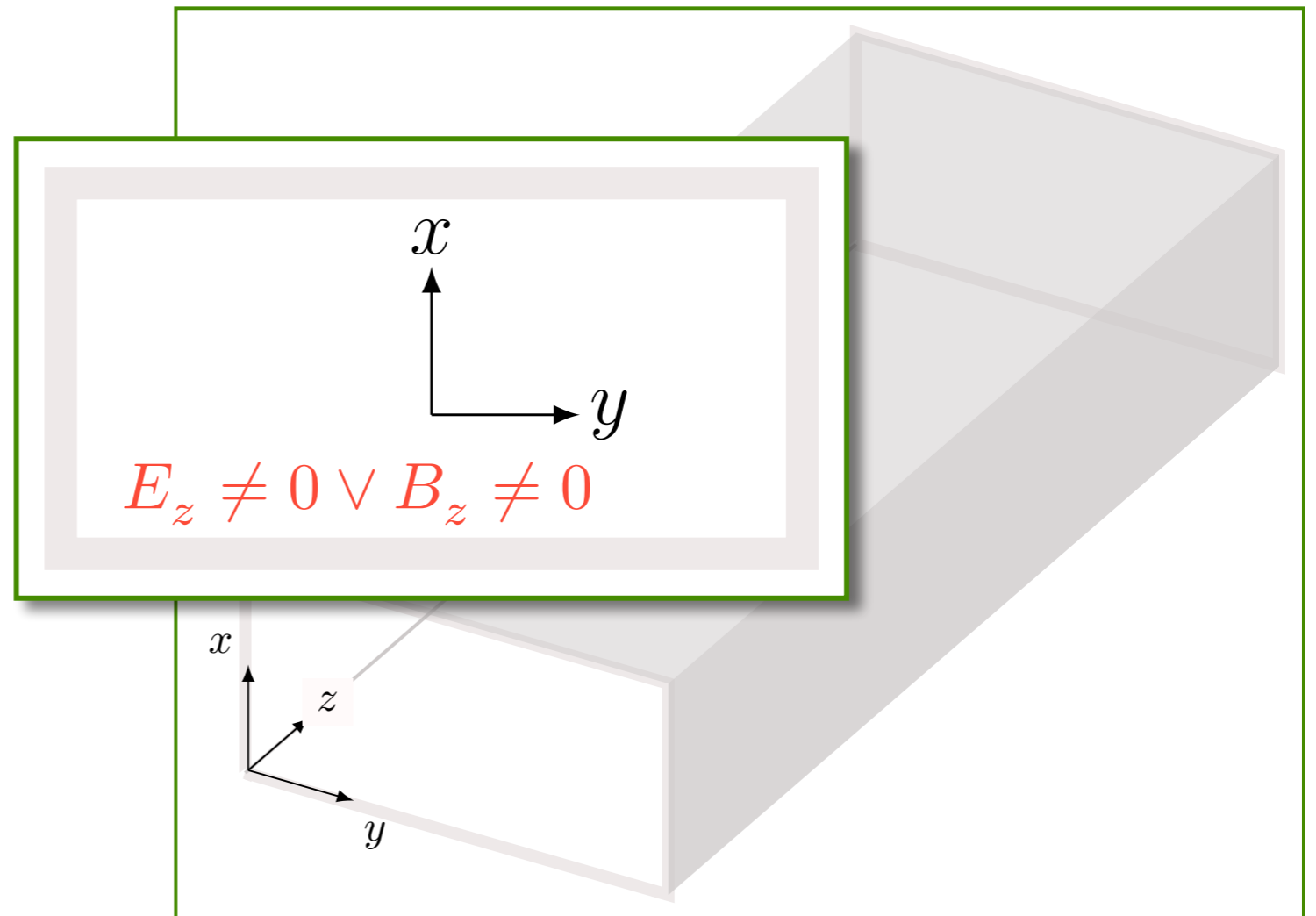
$$\tilde{\mathbf{E}}_0 = E_x \hat{x} + E_y \hat{y} + E_z \hat{z}$$

$$\tilde{\mathbf{B}}_0 = B_x \hat{x} + B_y \hat{y} + B_z \hat{z}$$

$$E_z = 0 \Rightarrow T_E$$

$$B_z = 0 \Rightarrow T_M$$

$$E_z = B_z = 0 \Rightarrow T_{EM}$$



Guias de ondas

$$\tilde{\mathbf{E}} = \tilde{\mathbf{E}}_0(x, y)e^{ikz - \omega t}$$

$$\tilde{\mathbf{B}} = \tilde{\mathbf{B}}_0(x, y)e^{ikz - \omega t}$$

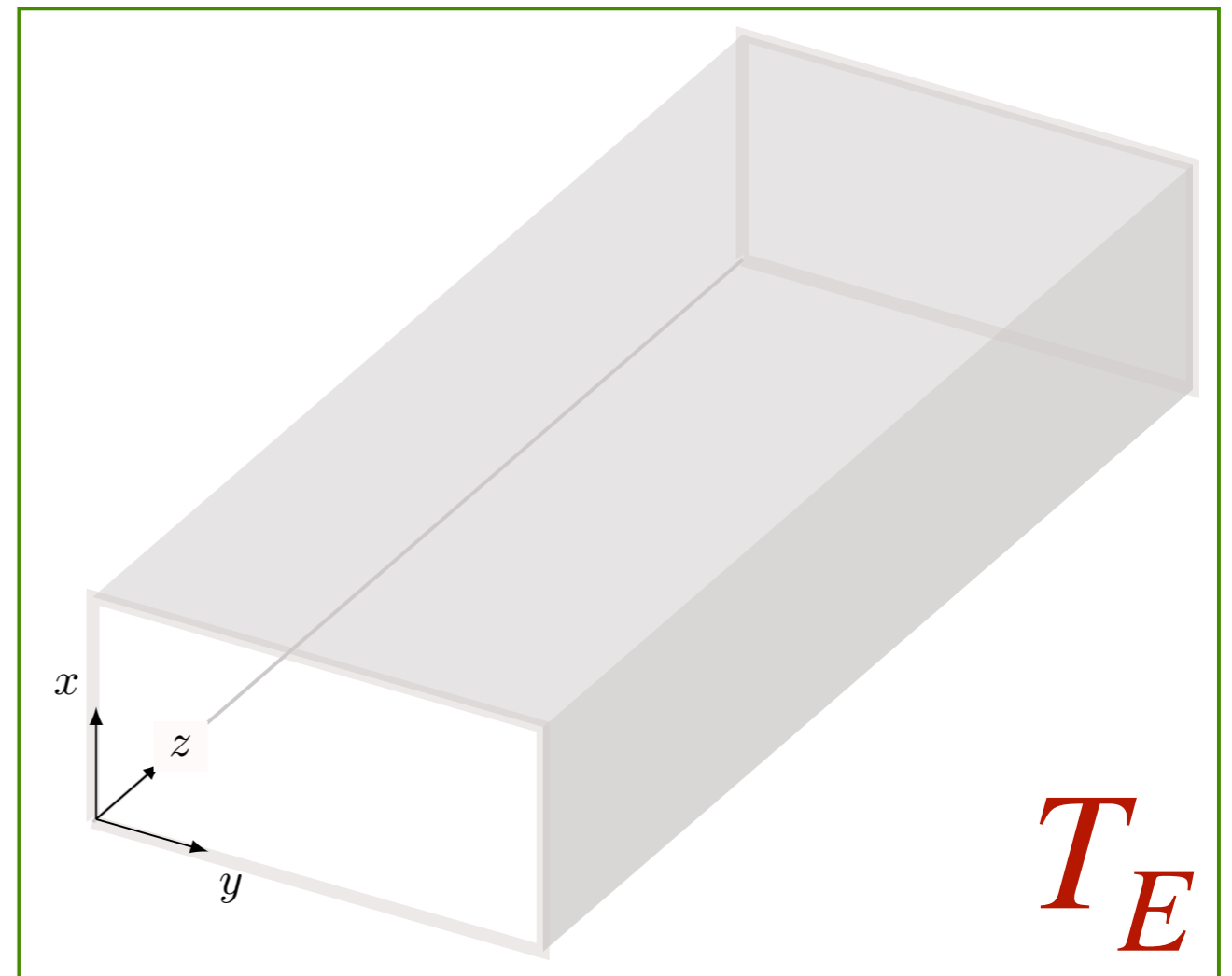
$$\mathbf{E}_{\parallel} = 0$$

$$B_{\perp} = 0$$

$$\tilde{\mathbf{E}}_0 = E_x \hat{x} + E_y \hat{y} + E_z \hat{z}$$

$$\tilde{\mathbf{B}}_0 = B_x \hat{x} + B_y \hat{y} + B_z \hat{z}$$

$$\left(\frac{\partial^2}{\partial x^2} + \frac{\partial^2}{\partial y^2} + \frac{\partial^2}{\partial z^2} \right) \tilde{B}_z = \frac{1}{c^2} \frac{\partial^2 \tilde{B}_z}{\partial t^2}$$



Guias de ondas

$$\tilde{\mathbf{E}} = \tilde{\mathbf{E}}_0(x, y)e^{ikz - \omega t}$$

$$\tilde{\mathbf{B}} = \tilde{\mathbf{B}}_0(x, y)e^{ikz - \omega t}$$

$$\mathbf{E}_{\parallel} = 0$$

$$B_{\perp} = 0$$

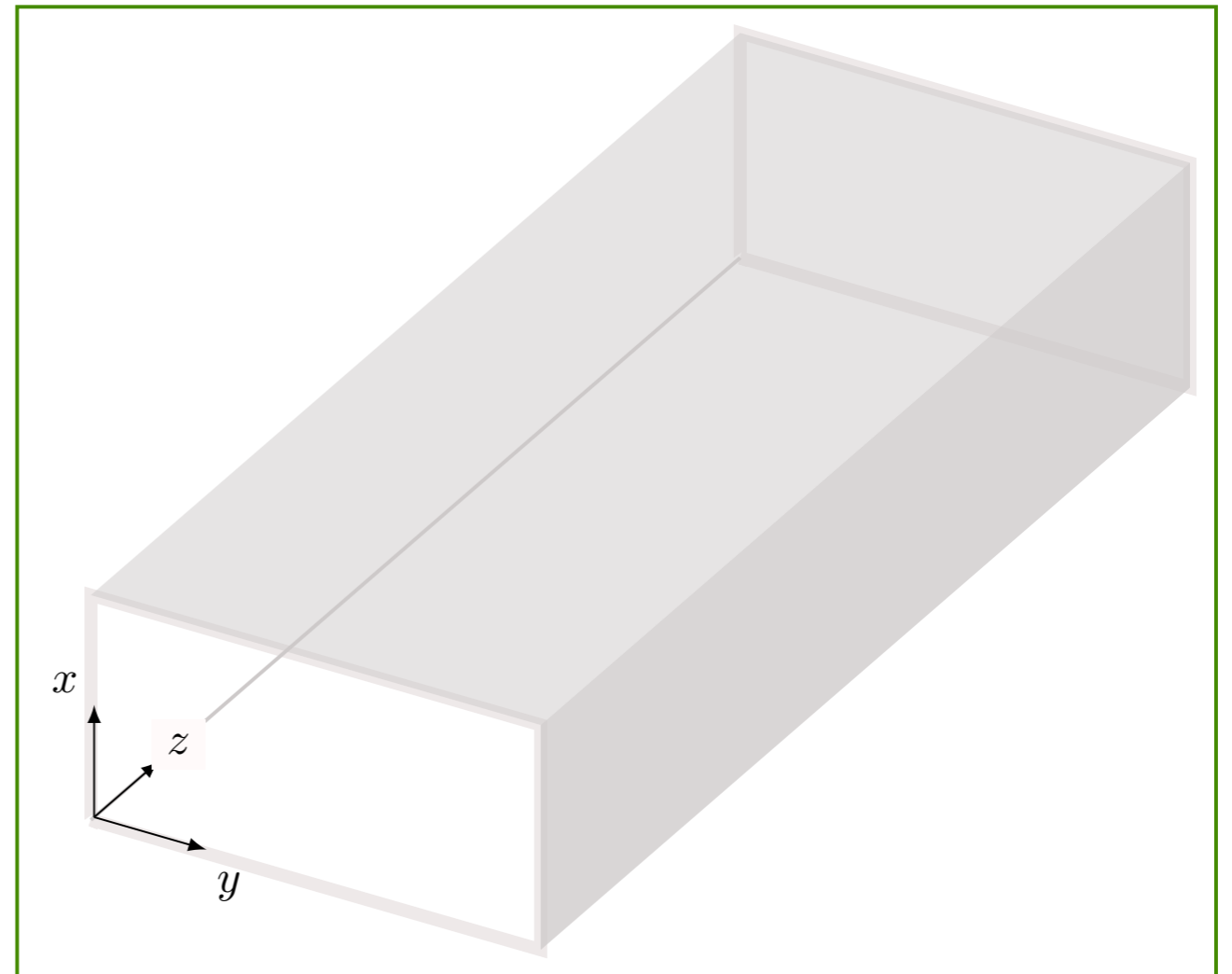
$$\tilde{\mathbf{E}}_0 = E_x \hat{x} + E_y \hat{y} + E_z \hat{z}$$

$$\tilde{\mathbf{B}}_0 = B_x \hat{x} + B_y \hat{y} + B_z \hat{z}$$

$$\left(\frac{\partial^2}{\partial x^2} + \frac{\partial^2}{\partial y^2} - k^2 + \left(\frac{\omega}{c} \right)^2 \right) B_z = 0$$

$$B_z = X(x)Y(y)$$

$$Y \frac{d^2 X}{dx^2} + X \frac{d^2 Y}{dy^2} = XY \left(k^2 - \left(\frac{\omega}{c} \right)^2 \right)$$



$$Y \frac{d^2 X}{dx^2} + X \frac{d^2 Y}{dy^2} = XY \left(k^2 - \left(\frac{\omega}{c} \right)^2 \right)$$

Guias de ondas

$$\tilde{\mathbf{E}} = \tilde{\mathbf{E}}_0(x, y)e^{ikz - \omega t}$$

$$\tilde{\mathbf{B}} = \tilde{\mathbf{B}}_0(x, y)e^{ikz - \omega t}$$

$$\mathbf{E}_{\parallel} = 0$$

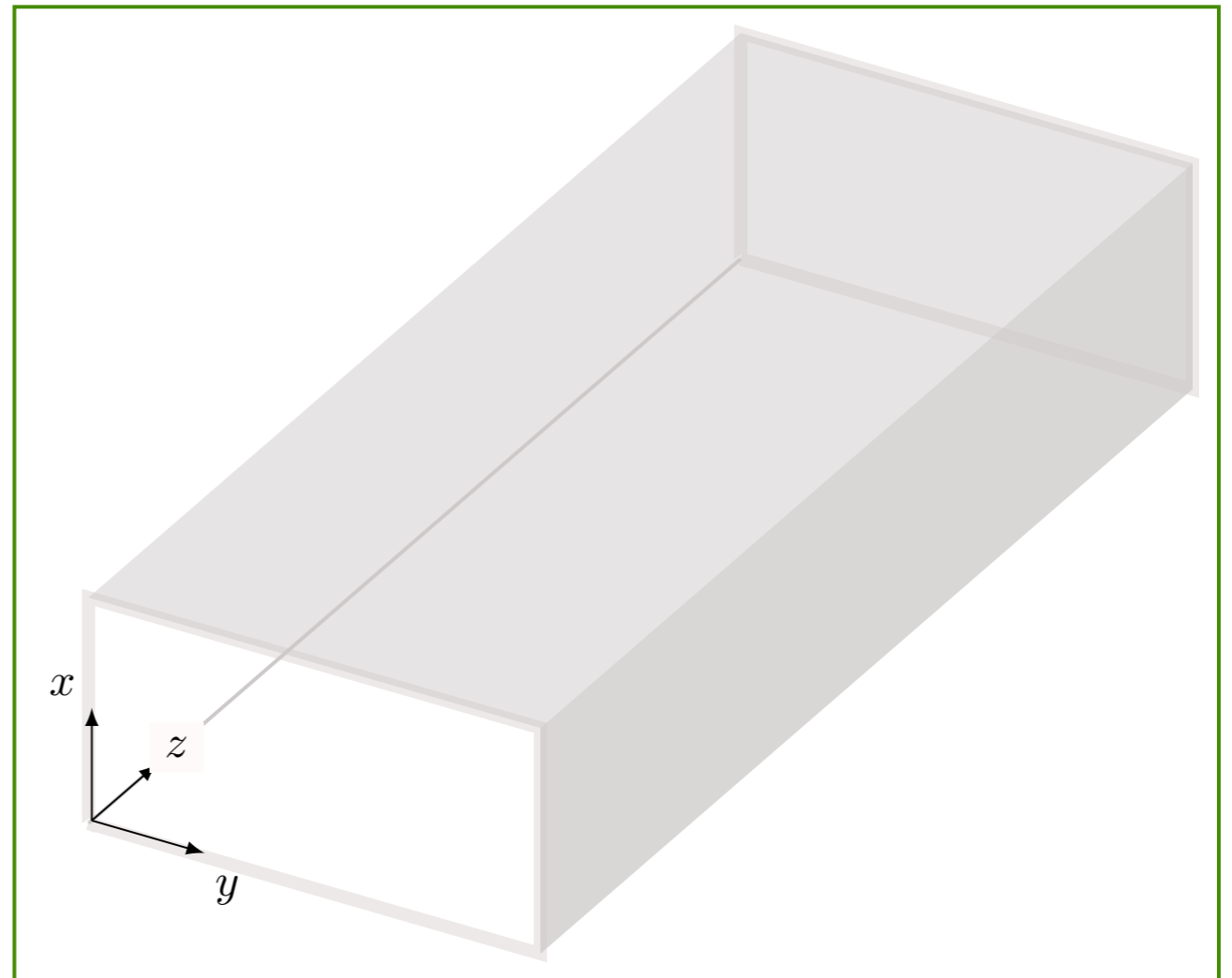
$$B_{\perp} = 0$$

$$\tilde{\mathbf{E}}_0 = E_x \hat{x} + E_y \hat{y} + E_z \hat{z}$$

$$\tilde{\mathbf{B}}_0 = B_x \hat{x} + B_y \hat{y} + B_z \hat{z}$$

$$B_z = X(x)Y(y)$$

$$X(x) = A \cos(k_x x) + B \sin(k_x x)$$



Guias de ondas

$$\tilde{\mathbf{E}} = \tilde{\mathbf{E}}_0(x, y)e^{ikz - \omega t}$$

$$\tilde{\mathbf{B}} = \tilde{\mathbf{B}}_0(x, y)e^{ikz - \omega t}$$

$$\mathbf{E}_{\parallel} = 0$$

$$B_{\perp} = 0$$

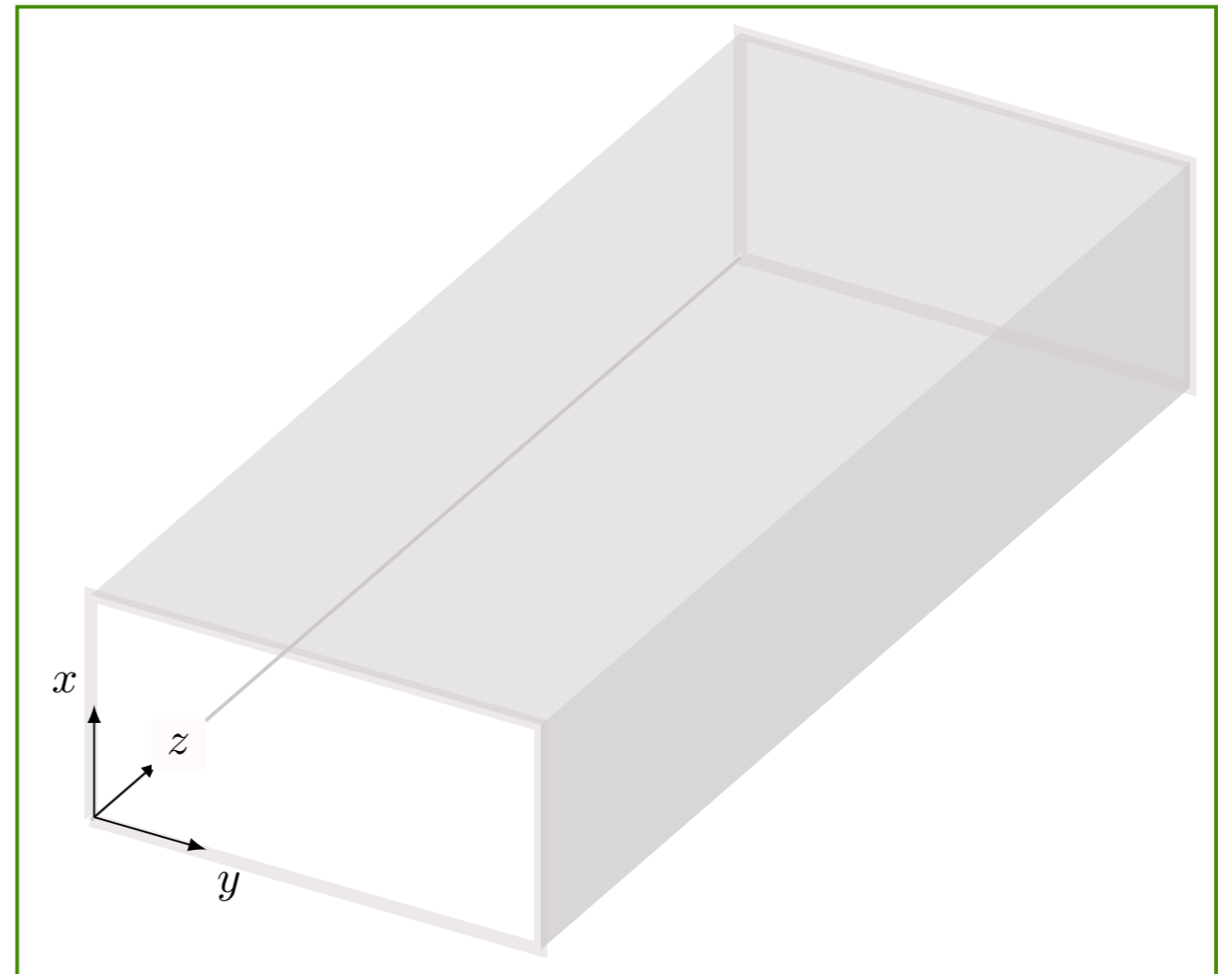
$$\tilde{\mathbf{E}}_0 = E_x \hat{x} + E_y \hat{y} + E_z \hat{z}$$

$$\tilde{\mathbf{B}}_0 = B_x \hat{x} + B_y \hat{y} + B_z \hat{z}$$

$$B_z = X(x)Y(y)$$

$$X(x) = A \cos(k_x x) + B \sin(k_x x)$$

$$\frac{dX}{dx} = 0 \quad (x = 0, x = a)$$



Guias de ondas

$$\tilde{\mathbf{E}} = \tilde{\mathbf{E}}_0(x, y)e^{ikz - \omega t}$$

$$\tilde{\mathbf{B}} = \tilde{\mathbf{B}}_0(x, y)e^{ikz - \omega t}$$

$$\mathbf{E}_{\parallel} = 0$$

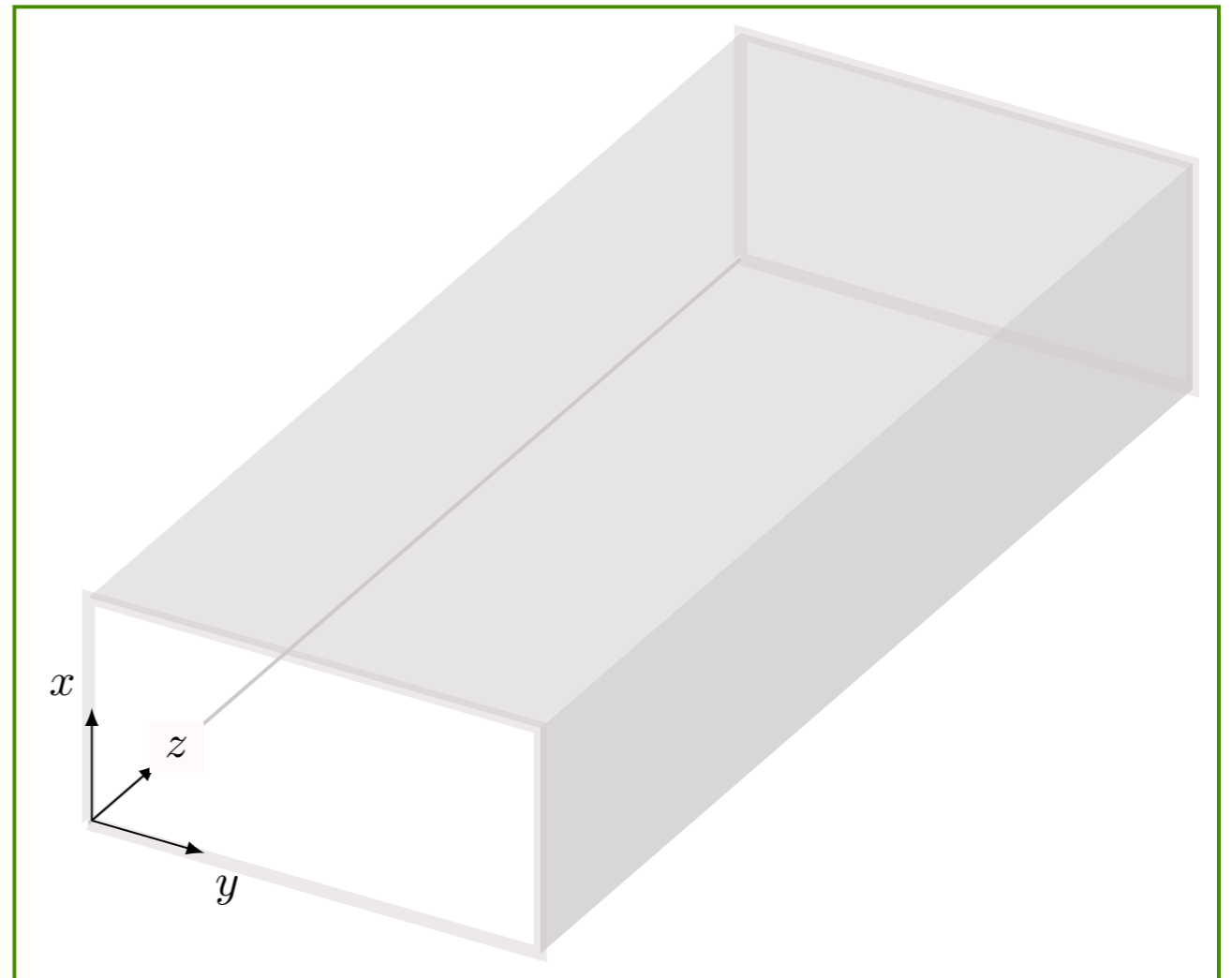
$$B_{\perp} = 0$$

$$\tilde{\mathbf{E}}_0 = E_x \hat{x} + E_y \hat{y} + E_z \hat{z}$$

$$\tilde{\mathbf{B}}_0 = B_x \hat{x} + B_y \hat{y} + B_z \hat{z}$$

$$B_z = X(x)Y(y)$$

$$B_z(x, y) = B_0 \cos\left(n \frac{\pi x}{a}\right) \cos\left(m \frac{\pi y}{b}\right) \quad (m, n = 0, 1, 2, \dots)$$



Guias de ondas

$$\tilde{\mathbf{E}} = \tilde{\mathbf{E}}_0(x, y)e^{ikz - \omega t}$$

$$\tilde{\mathbf{B}} = \tilde{\mathbf{B}}_0(x, y)e^{ikz - \omega t}$$

$$\mathbf{E}_{\parallel} = 0$$

$$B_{\perp} = 0$$

$$\tilde{\mathbf{E}}_0 = E_x \hat{x} + E_y \hat{y} + E_z \hat{z}$$

$$\tilde{\mathbf{B}}_0 = B_x \hat{x} + B_y \hat{y} + B_z \hat{z}$$

$$B_z(x, y) = B_0 \cos\left(n \frac{\pi x}{a}\right) \cos\left(m \frac{\pi y}{b}\right) \quad (m, n = 0, 1, 2, \dots)$$

$$k = \sqrt{\left(\frac{\omega}{c}\right)^2 - \pi^2 \left(\left(\frac{m}{a}\right)^2 + \left(\frac{n}{b}\right)^2 \right)}$$

