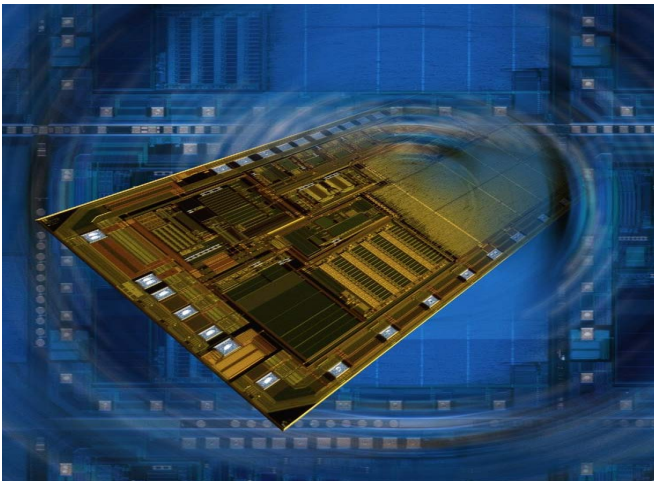


## Product Information Lambda Probe Interface IC - CJ120/125



**BOSCH**

Invented for life



Integrated circuit for continuous lambda regulation with Ri measurement

### Customer benefits:

- ▶ Excellent system know-how
- ▶ Smart concepts for system safety
- ▶ Secured supply
- ▶ Long- term availability of manufacturing processes and products
- ▶ QS9000 and ISO/TS16949 certified

### Features

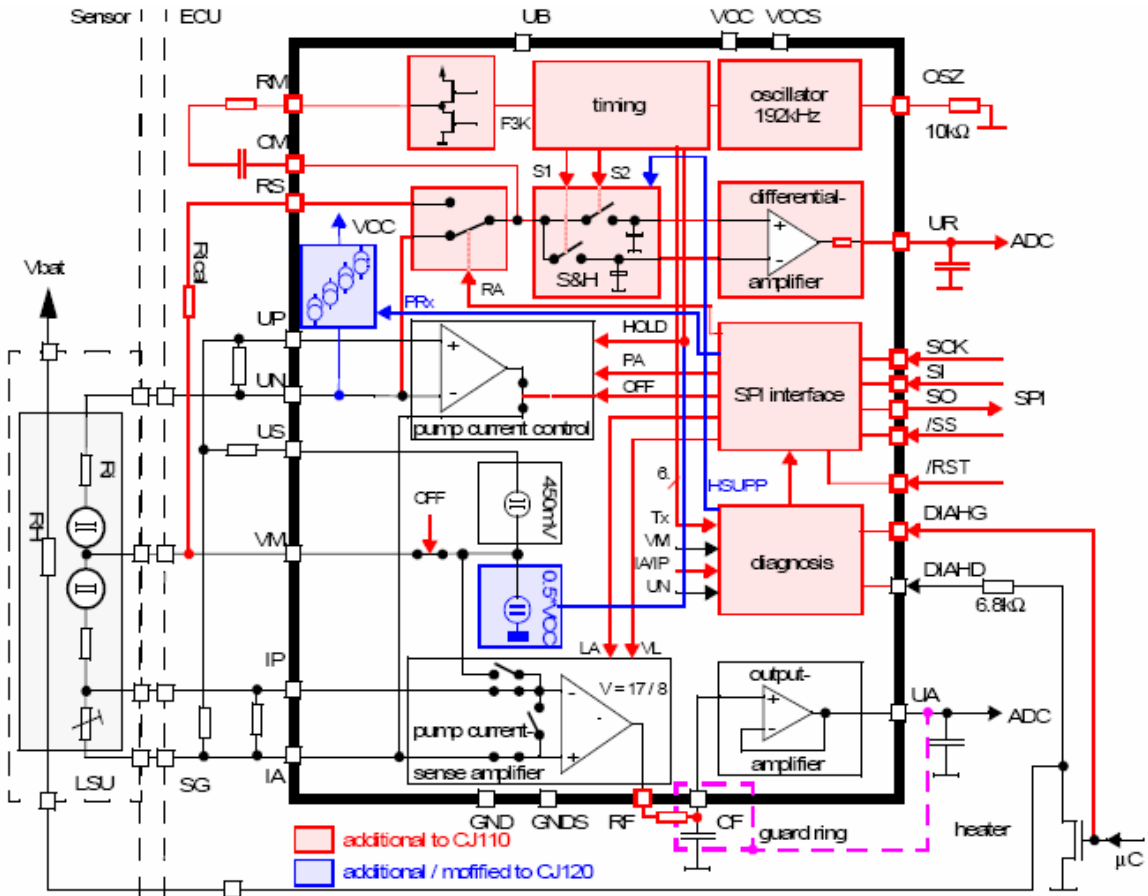
- ▶ Pump current control with hold function and shut off for regulation of nernst cell at 450mV
- ▶ Pump current sense amplifier with switchable amplification and adjustment
- ▶ lambda output amplifier
- ▶ Virtual ground voltage source for sensor and pump current control
- ▶ Nernst cell reference voltage source (450mV, reference to virtual ground)
- ▶ Offset adjust control
- ▶ Diagnosis circuit
- ▶ Oscillator / generation for timing
- ▶ Ri measurement and calibration with S&H and Ri differential amplifier
- ▶ SPI (only slave mode) for initialization, identification and transfer of diagnosis information

### Features only CJ125

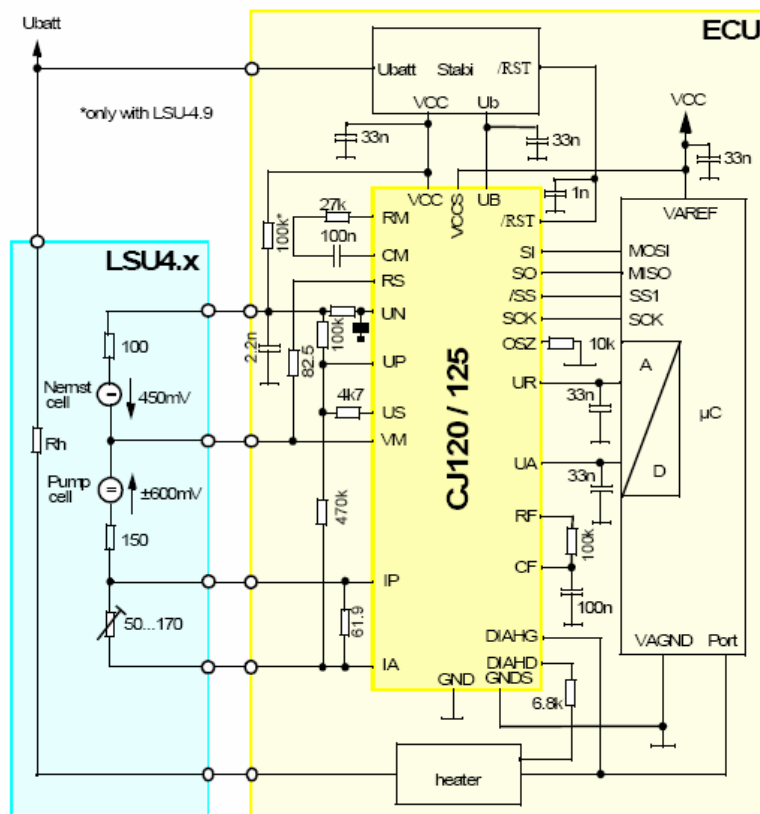
- ▶ Programmable reference pumping current (4 bits)
- ▶ Suppression of parasitic interference of heater clock with Ri measurement

The integrated circuit CJ120/CJ125 is a control and amplifier circuit for a wide range  $\lambda$ -Sensor LSU4.x for the continuous regulation of  $\lambda$  in combination with the sensor in the range of  $\lambda = 0.65... \infty$  (air).

## Block diagram



## Application example (only proposal!)



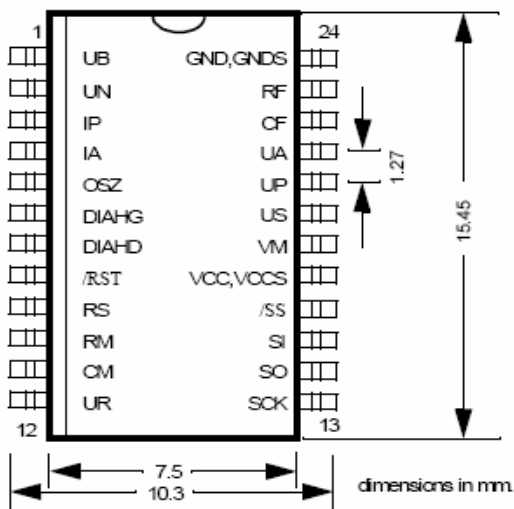
**The application circuit of the CJ120/125 consists of the following parts :**

- ▶ Capacitor between [VCC] and [GND] to stabilize the supply voltage VCC
- ▶ Capacitor between [UB] and [GND] to stabilize the supply voltage  $V_{UB}$
- ▶ Capacitor between [CF] and [GND] to filter the lambda signal
- ▶ Capacitor between [UA] and [GND] to stabilize lambda signal output
- ▶ Capacitor between [UN] and [GND] to stabilize nernst signal
- ▶ Capacitor between [/RST] and [GND] to stabilize reset signal
- ▶ Shunt between [IA] and [IP] for pump current sensing
- ▶ Resistor between [IA] and [UP] to compensate parasitic effects of the lambda sensor
- ▶ Resistor between [US] and [UP] to feed the nernst cell reference voltage into the pump current control circuit
- ▶ Resistor between [UP] and [UN] for leakage detection
- ▶ Resistor between [RF] and [CF] to filter the lambda signal
- ▶ Capacitor between [UR] and [GND] to stabilize the output signal for ADC
- ▶ Capacitor between [UN] and [GND] for filtering
- ▶ Resistor between [RM] and capacitor at [CM] for adjustment of Ri measurement current
- ▶ Capacitor between [CM] and resistance at [RM] for dc filtering.
- ▶ Resistor between [RS] and [VM] for adjustment
- ▶ Resistor between [UN] and [VCC] only for LSU-4.9
- ▶ Resistor between [DIAHD] and Drain of the external heater
- ▶ Resistor and capacitor before [UN] for filtering

**Pin description**

Pin	Description
UB	Power supply input (14V)
VCC,VCCS a.)	Power supply input (5V)
GND, GNDS b.)	Ground
VM	Virtual ground of pump current control and of the LSU (0.5VCC)
US	Nernst cell reference voltage (450mV)
IP	Inverting input of pump current amplifier (shunt voltage)
IA	Non inverting input of pump current amplifier and output of the pump current control
RF	Output of pump current amplifier (--> external filter)
CF	Input of lambda output amplifier (after external filter)
UA	Output of lambda output amplifier
UP	Non inverting input of pump current control
UN	Inverting input of pump current control respective in-/output for Ri-measurement (LSU)
RM	Output Ri-measurement current (DC)
CM	Input Ri-measurement current (AC, DC free)
RS	In-/output Ri-calibration measurement
UR	Output Ri-signal (analogous)
DIAHG	Diagnosis input (gate of external transistor)
DIAHD	Diagnosis input (drain of external transistor)
SCK	Input SPI-clock (from $\mu\text{C}$ )
SI	Input serial data (SPI, from $\mu\text{C}$ )
SO	Output serial data (SPI, to $\mu\text{C}$ )
/SS	Slave select (SPI, from $\mu\text{C}$ )
/RST	Input Reset
OSZ	$R_{\text{extern}} = 10\text{k}\Omega$

**PIN configuration**



- a.) For hybrid version it is recommended to connect VCCS with the reference VCC for the ADC
- b.) For hybrid version it is recommended to connect GNDS with the reference ground for the ADC

## Maximum ratings

Parameter	Condition	Symbol	Min.	Max.	Unit
Supply voltage UB		V <sub>UB</sub>	-0.3	35	V
Supply voltage VCC		V <sub>VCC</sub>	-0.3	5.5	V
Temperature	Junction	T <sub>J</sub>	-40	150	°C
	Storage	T <sub>ST</sub>	-40	150	°C
	Ambient	T <sub>A</sub>	-40	125	°C
Maximum allowed voltages valid for pins: RM, UP, US, RF, CF, UA, UR, DIAHG, DIAHD; SCK, SI, SO, /SS, /RST, OSZ		V <sub>X</sub>	-0.3	V <sub>VCC</sub> +0.3	V
Allowed current	Ext. resistor 6.8 kΩ	I <sub>DIAHD</sub>	-1	10	mA
Maximum allowed voltages, no destruction when ISO-pulses 3a,b are applied. Valid for board pins: RS, UN, VM, IA, IP, CM		V <sub>X</sub>	-0.3	28	V
Offset between GND and GNDS		ΔV <sub>GND</sub>	-0.1	0.1	V
Offset between VCC and VCCS		ΔV <sub>VCC</sub>	-0.1	0.1	V
ESD	Human body model R= 1.5kΩ, C= 100pF		-2	2	kV

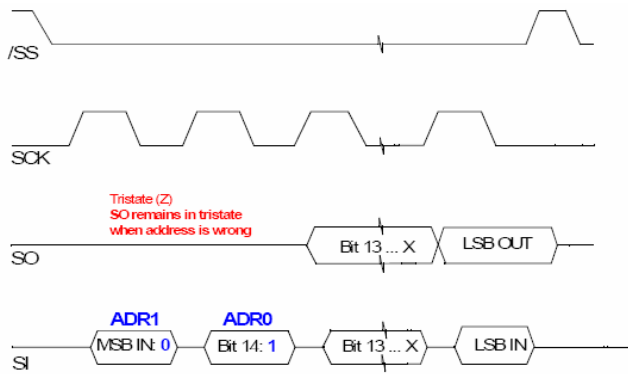
## Electrical characteristics

Parameter	Condition	Symbol	Min.	Max.	Unit
<b>Power supply</b>					
Power supply operating range	V <sub>GND</sub> = V <sub>GNDS</sub>	V <sub>UB</sub>	9	18	V
	V <sub>VCC</sub> = V <sub>VCCS</sub>	V <sub>VCC</sub>	4.75	5.25	V
Current consumption		I <sub>VCC</sub>		75	mA
Current consumption		I <sub>VCCS</sub>		4	mA
<b>Pump current control</b>					
Offset voltage		V <sub>off</sub>	-10	10	mV
Input current	-40°C • T <sub>J</sub> < 150°C	I <sub>UP, UN</sub>	-1	1	μA
Input offset current	-40°C • T <sub>J</sub> < 150°C	I <sub>off</sub>	-1	1	μA
Output current source condition	V <sub>UN</sub> < V <sub>UP</sub> ; PA = 1; 0.5V < V <sub>IA</sub> < V <sub>CC</sub> -0.5V	-I <sub>IA</sub>	10	30	mA
Output current sink condition	V <sub>UN</sub> > V <sub>UP</sub> ; PA = 1; 0.6V < V <sub>IA</sub> < V <sub>CC</sub> -0.5V	I <sub>IA</sub>	10	30	mA
No output current	PA = 0	I <sub>IA</sub>	-10	10	μA
<b>Pump current sense amplifier (LA = 0: measurement mode; LA = 1: adjustment mode)</b>					
Input current	-40°C • T <sub>J</sub> < 150°C	I <sub>IP</sub>	-1	1	μA
Amplification	SPI-bit VL = 1	A <sub>0</sub>	16.64	17.24	
Amplification	SPI-bit VL = 0	A <sub>0</sub>	7.85	8.15	
Common mode rejection ratio	CMRR <sup>-1</sup> = ΔV <sub>UA</sub> / ΔV <sub>IP</sub> V <sub>IP</sub> = V <sub>IA</sub> = 1...4V 0.5V < V <sub>UA</sub> < V <sub>CC</sub> -0.5V  I <sub>UA</sub>   < 10μA	CMRR <sup>-1</sup>		12	mV/V
Output voltage swing	I <sub>UA</sub>   < 10μA; LA = 0	V <sub>UA</sub>	0.20	V <sub>VCC</sub> -0.18	V
Output voltage adjustment	I <sub>RF</sub> =0μA; LA = 1	V <sub>RF</sub> / V <sub>VCC</sub>	0.285	0.315	
Output error offset adjust	ΔV <sub>UA</sub> = V <sub>UA</sub> (LA = 1) - V <sub>UA</sub> (LA = 0) V <sub>IP</sub> = V <sub>IA</sub> = V <sub>VM</sub>  I <sub>UA</sub>   < 10μA	ΔV <sub>UA</sub>	- 3	3	mV

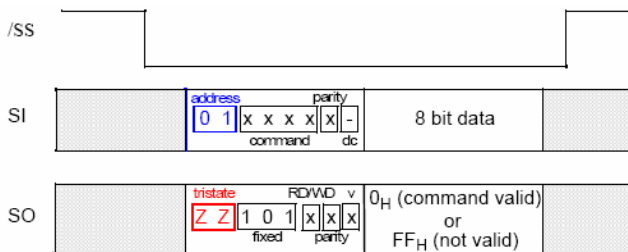
Parameter	Condition	Symbol	Min.	Max.	Unit
<b>Virtual ground voltage source</b>					
Output current operating range		$I_{VM}$	$-I_{IA} - 2$	$-I_{IA} + 2$	mA
Output voltage ratio	$-I_{IA} - 1\text{mA} < I_{VM} < I_{IA} + 1\text{mA}$	$V_{VM} / V_{VCC}$	0.48	0.52	
<b>Nernst cell reference voltage source</b>					
Output current operating range		$I_{US}$	-0.4	0.4	mA
<b>Oscillator</b>					
Frequency	external 10k $\Omega$	f	2.49	3.51	kHz
<b>Measurement current for Ri (RA = 0 measurement mode; RA =1 adjustment mode)</b>					
Output resistor of push-pull-stage	$-1\text{mA} \cdot I_{RM} \cdot 1\text{mA}$	R	5	100	$\Omega$
<b>Ri amplifier</b>					
Leakage current when switch is open		$I_{Leak}$	-500	500	nA
Amplification		$A_0$	15	16.3	
Ron for a switch		$R_{on}$		100	$\Omega$
Input voltage range at CM, UN and RS		$V_{RI}$	2	$V_{VCC} - 1.1$	V
Output voltage range		$V_{UR}$	$0.06 V_{VCC}$	$V_{VCC} - 0.2$	V
Zero point for output trace		$V_{UR} / V_{VCC}$	0.05	0.063	
<b>Pump reference current</b>					
Current range	programmable with SPI-bits PRx; x = 0 to 3	$-I_{Un}$	0	150	$\mu\text{A}$
<b>Diagnosis of sensor lines</b>					
Short circuit to ground		$V_{VM} / V_{VCC}$	0.35	0.45	
Short circuit to Vbat		$V_{VM} / V_{VCC}$	0.55	0.65	
Short circuit to ground		$V_{UN} / V_{VCC}$	0.35	0.45	
Short circuit to Vbat		$V_{UN} / V_{VCC}$	0.55	0.65	
Short circuit to ground		$V_{IA,IP}$	0.3	1.5	
Short circuit to Vbat		$V_{IA}$	$V_{VCC}$	$V_{VCC} + 2$	V
<b>Diagnosis of external heater</b>					
Low level		$V_{DIAHG}$	- 0.3	$0.3 V_{VCC}$	V
High level		$V_{DIAHG}$	$0.7 V_{VCC}$	$V_{VCC} + 0.3$	V
Pull up current		$-I_{DIAHG}$	10	50	$\mu\text{A}$
Short circuit to ground	DIAHG = low	$I_{DIAHD}$	- 350	- 100	$\mu\text{A}$
Short circuit to Vbat	DIAHG = high	$I_{DIAHD}$	- 100	10 000	$\mu\text{A}$
Open load	DIAHG = low	$I_{DIAHD}$	- 100	100	$\mu\text{A}$
No failure	DIAHG = high	$I_{DIAHD}$	- 1 000	- 350	$\mu\text{A}$
No failure	DIAHG = low	$I_{DIAHD}$	350	10 000	$\mu\text{A}$
Filter time	$T = 1 / f$	$t_{DIAG} / T$	15 / 32	16 / 32	
<b>SPI</b>					
Data rate				2	Mbaud
Bit-frame				16	bit
Number of read / write commands				6	
Number of register				4	



## Timing

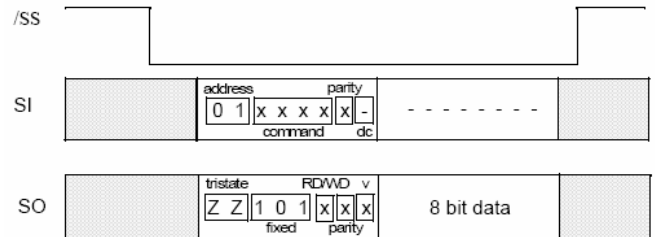


## Write access



v: command valid/not valid  
dc: don't care („-“)  
x: 0 or 1  
Z: tristate

## Read access



## Contact

**Robert Bosch GmbH**  
Sales Semiconductors  
Postbox 13 42  
72703 Reutlingen  
Germany  
Tel.: +49 7121 35-2979  
Fax: +49 7121 35-2170

**Robert Bosch Corporation**  
Component Sales  
38000 Hills Tech Drive  
Farmington Hills, MI 48331  
USA  
Tel.: +1 248 876-7441  
Fax: +1 248 848-2818

**Robert Bosch K.K.**  
Component Sales  
9-1, Ushikubo 3-chome  
Tsuzuki-ku, Yokohama 224  
Japan  
Tel.: +81 45 9 12-83 01  
Fax: +81 45 9 12-95 73

E-Mail: [bosch.semiconductors@de.bosch.com](mailto:bosch.semiconductors@de.bosch.com)

Internet: [www.bosch-semiconductors.de](http://www.bosch-semiconductors.de)

© 04/2006 All rights reserved by Robert Bosch GmbH including the right to file industrial property rights

Robert Bosch GmbH retains the sole powers of distribution, such as reproduction, copying and distribution.

**For any use of products outside the released application, specified environments or installation conditions no warranty shall apply and Bosch shall not be liable for such products or any damage caused by such products.**