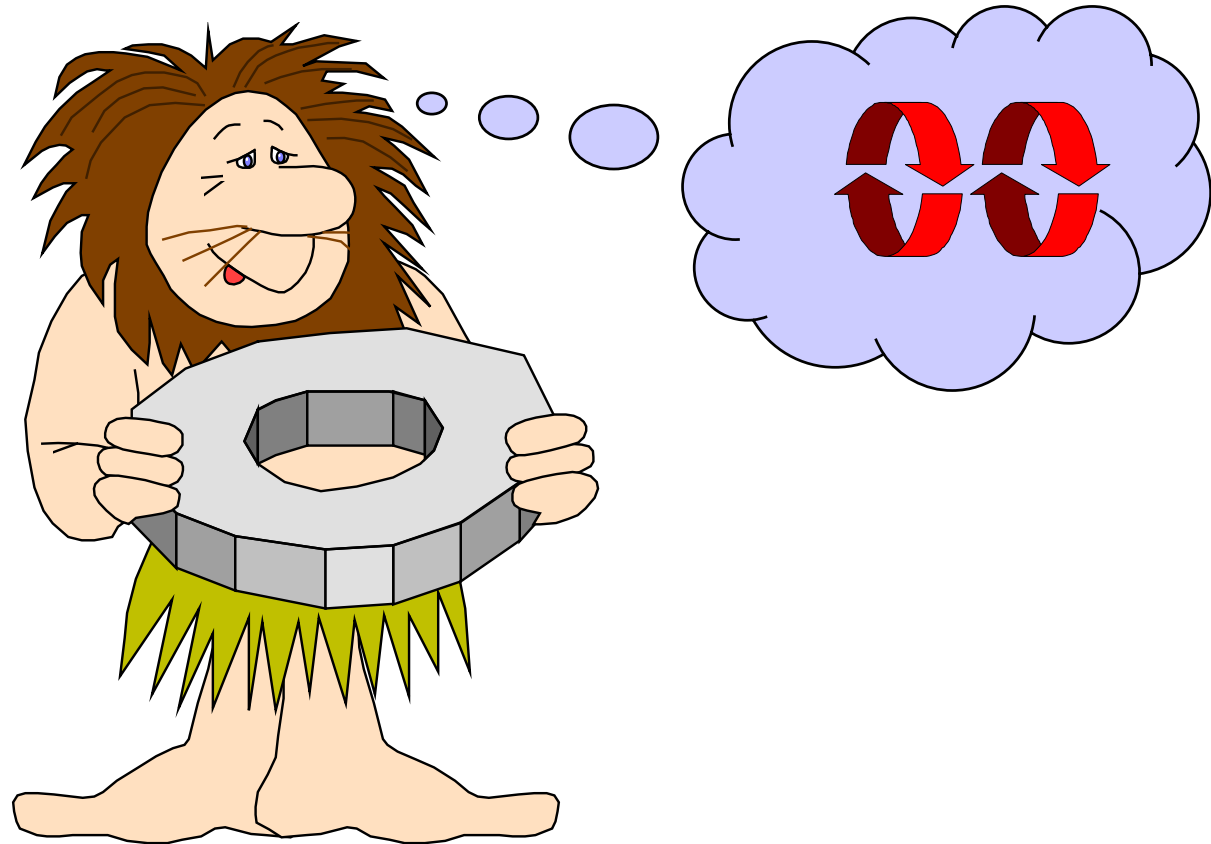


Model-Based Design



Design

Concepts: design process:
requirements to **models** to **implementations**

Models: check properties of interest:
- **safety** on the appropriate (sub)system
- **progress** on the overall system

Practice: model interpretation - to infer actual system
behavior
threads and monitors

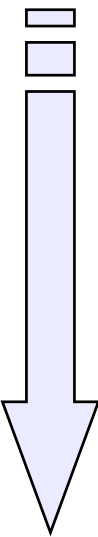
Aim: rigorous design process.

8.1 from requirements to models

Requirements

- ◆ goals of the system
- ◆ scenarios (Use Case models)
- ◆ properties of interest

Any appropriate design approach can be used.

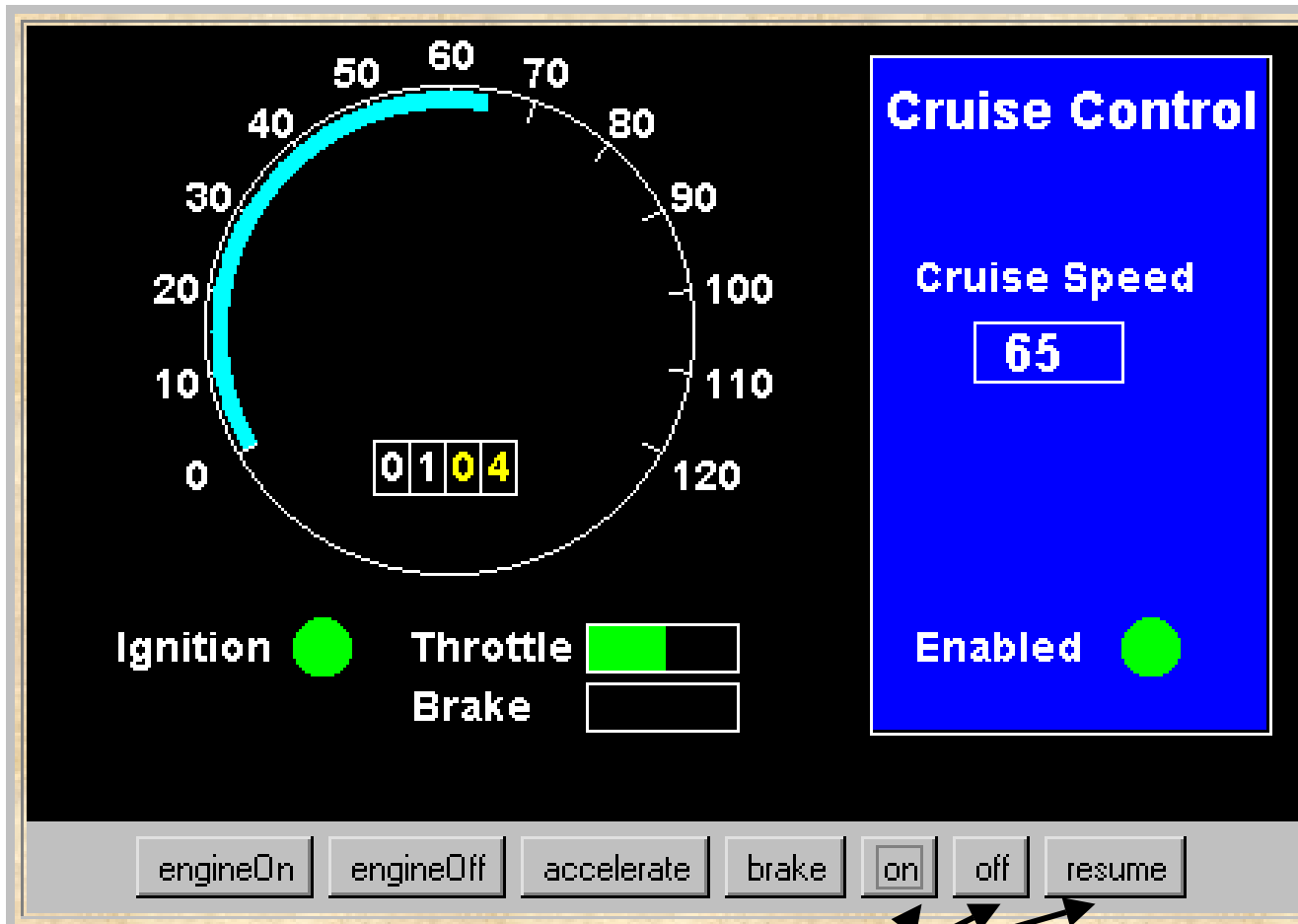


- ◆ identify the main events, actions, and interactions
- ◆ identify and define the main processes
- ◆ identify and define the properties of interest
- ◆ structure the processes into an **architecture**

Model

- ◆ check traces of interest
- ◆ check properties of interest

a Cruise Control System - requirements



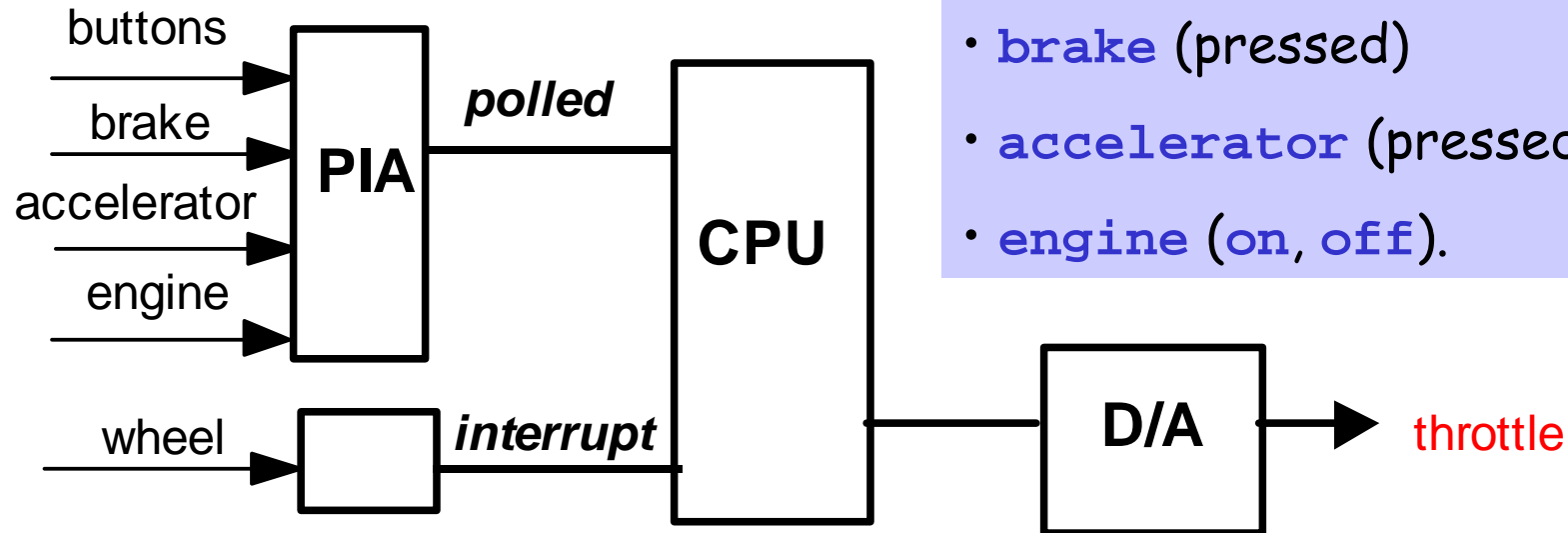
When the car ignition is switched on and the **on** button is pressed, the current speed is recorded and the system is enabled: *it maintains the speed of the car at the recorded setting.*

Pressing the brake, accelerator or **off** button disables the system. Pressing **resume** or **on** re-enables the system.

a Cruise Control System - hardware

Parallel Interface Adapter (PIA) is polled every 100msec. It records the actions of the sensors:

- buttons (**on**, **off**, **resume**)
- **brake** (pressed)
- **accelerator** (pressed)
- **engine** (**on**, **off**).

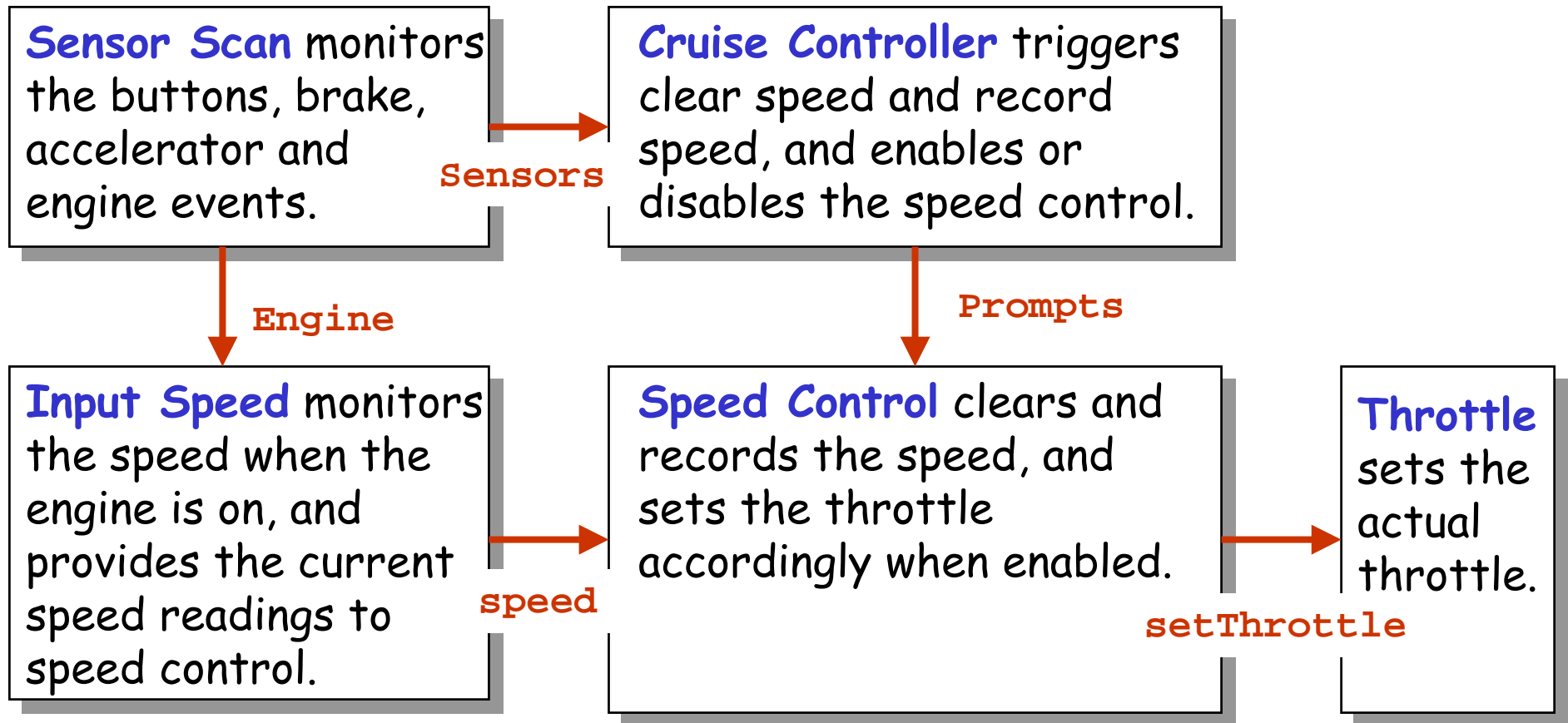


Wheel revolution sensor generates interrupts to enable the car **speed** to be calculated.

Output: The cruise control system controls the car speed by setting the **throttle** via the digital-to-analogue converter.

model - outline design

◆ outline processes and interactions.



model -design

- ◆ Main events, actions and interactions.

on, off, resume, brake, accelerator
engine on, engine off,
speed, setThrottle
clearSpeed, recordSpeed,
enableControl, disableControl

Sensors

Prompts

- ◆ Identify main processes.

Sensor Scan, Input Speed,
Cruise Controller, Speed Control and
Throttle

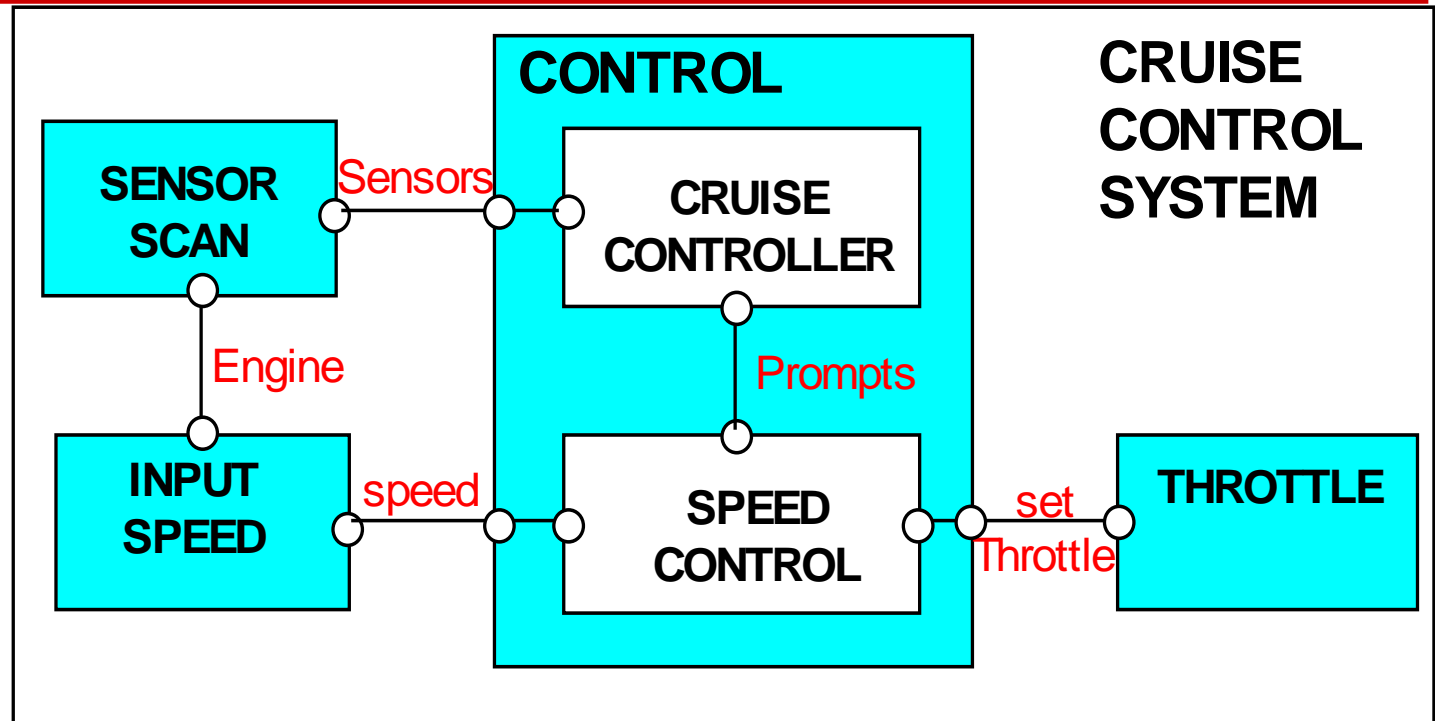
- ◆ Identify main properties.

safety - disabled when off, brake or accelerator pressed.

- ◆ Define and structure each process.

model - structure, actions and interactions

The CONTROL system is structured as two processes.
The main actions and interactions are as shown.



```
set Sensors = {engineOn,engineOff,on,off,
               resume,brake,accelerator}
set Engine  = {engineOn,engineOff}
set Prompts = {clearSpeed,recordSpeed,
               enableControl,disableControl}
```


model elaboration - process definitions

```
SENSORSCAN = ({Sensors} -> SENSORSCAN).  
    // monitor speed when engine on  
INPUTSPEED = (engineOn -> CHECKSPEED),  
CHECKSPEED = (speed -> CHECKSPEED  
    | engineOff -> INPUTSPEED  
    ).  
    // zoom when throttle set  
THROTTLE = (setThrottle -> zoom -> THROTTLE).  
    // perform speed control when enabled  
SPEEDCONTROL = DISABLED,  
DISABLED = ({speed,clearSpeed,recordSpeed}->DISABLED  
    | enableControl -> ENABLED  
    ),  
ENABLED = ( speed -> setThrottle -> ENABLED  
    | {recordSpeed,enableControl} -> ENABLED  
    | disableControl -> DISABLED  
    ).
```

model elaboration - process definitions

```
set DisableActions = {off,brake,accelerator}
    // enable speed control when cruising, disable when a disable action occurs
CRUISECONTROLLER = INACTIVE,
INACTIVE =(engineOn -> clearSpeed -> ACTIVE
           |DisableActions -> INACTIVE ),
ACTIVE    =(engineOff -> INACTIVE
           |on->recordSpeed->enableControl->CRUISING
           |DisableActions -> ACTIVE ),
CRUISING  =(engineOff -> INACTIVE
           |DisableActions->disableControl->STANDBY
           |on->recordSpeed->enableControl->CRUISING ),
STANDBY   =(engineOff -> INACTIVE
           |resume -> enableControl -> CRUISING
           |on->recordSpeed->enableControl->CRUISING
           |DisableActions -> STANDBY
           ).
```

model - CONTROL subsystem

```
| | CONTROL = (CRUISECONTROLLER
                | | SPEEDCONTROL
                ).
```

Animate to check particular traces:

- Is control enabled after the engine is switched on and the on button is pressed?
- Is control disabled when the brake is then pressed?
- Is control re-enabled when resume is then pressed?

However, we need analysis to check exhaustively :

- **Safety**: Is the control disabled when **off**, **brake** or **accelerator** is pressed?
- **Progress**: Can every action eventually be selected?

model - Safety properties

Safety checks are **compositional**. If there is no violation at a subsystem level, then there cannot be a violation when the subsystem is composed with other subsystems.

This is because, if the **ERROR** state of a particular safety property is unreachable in the LTS of the subsystem, it remains unreachable in any subsequent parallel composition which includes the subsystem. Hence...

Safety properties should be composed with the appropriate system or subsystem to which the property refers. In order that the property can check the actions in its alphabet, these actions must not be hidden in the system.

model - Safety properties

```
property CRUISESAFETY =  
  ({DisableActions,disableControl} -> CRUISESAFETY  
  | {on,resume} -> SAFETYCHECK  
  ),  
SAFETYCHECK =  
  ({on,resume} -> SAFETYCHECK  
  | DisableActions -> SAFETYACTION  
  | disableControl -> CRUISESAFETY  
  ),  
SAFETYACTION = (disableControl->CRUISESAFETY) .
```

LTS?

```
|| CONTROL = (CRUISECONTROLLER  
              || SPEEDCONTROL  
              || CRUISESAFETY  
              ) .
```

Is CRUISESAFETY violated?

model - Safety properties

Safety analysis using LTSA produces the following **violation**:

Trace to property violation in CRUISESAFETY:

```
engineOn  
clearSpeed  
on  
recordSpeed  
enableControl  
engineOff  
off  
off
```

Strange circumstances!

If the system is enabled by switching the engine on and pressing the *on* button, and then the **engine is switched off**, it appears that the control system is not disabled.

model - Safety properties

What if the engine is switched on again? We can investigate further using **animation** ...

```
engineOn  
clearSpeed  
on  
recordSpeed  
enableControl  
engineOff  
engineOn  
speed  
setThrottle  
speed  
setThrottle  
...
```

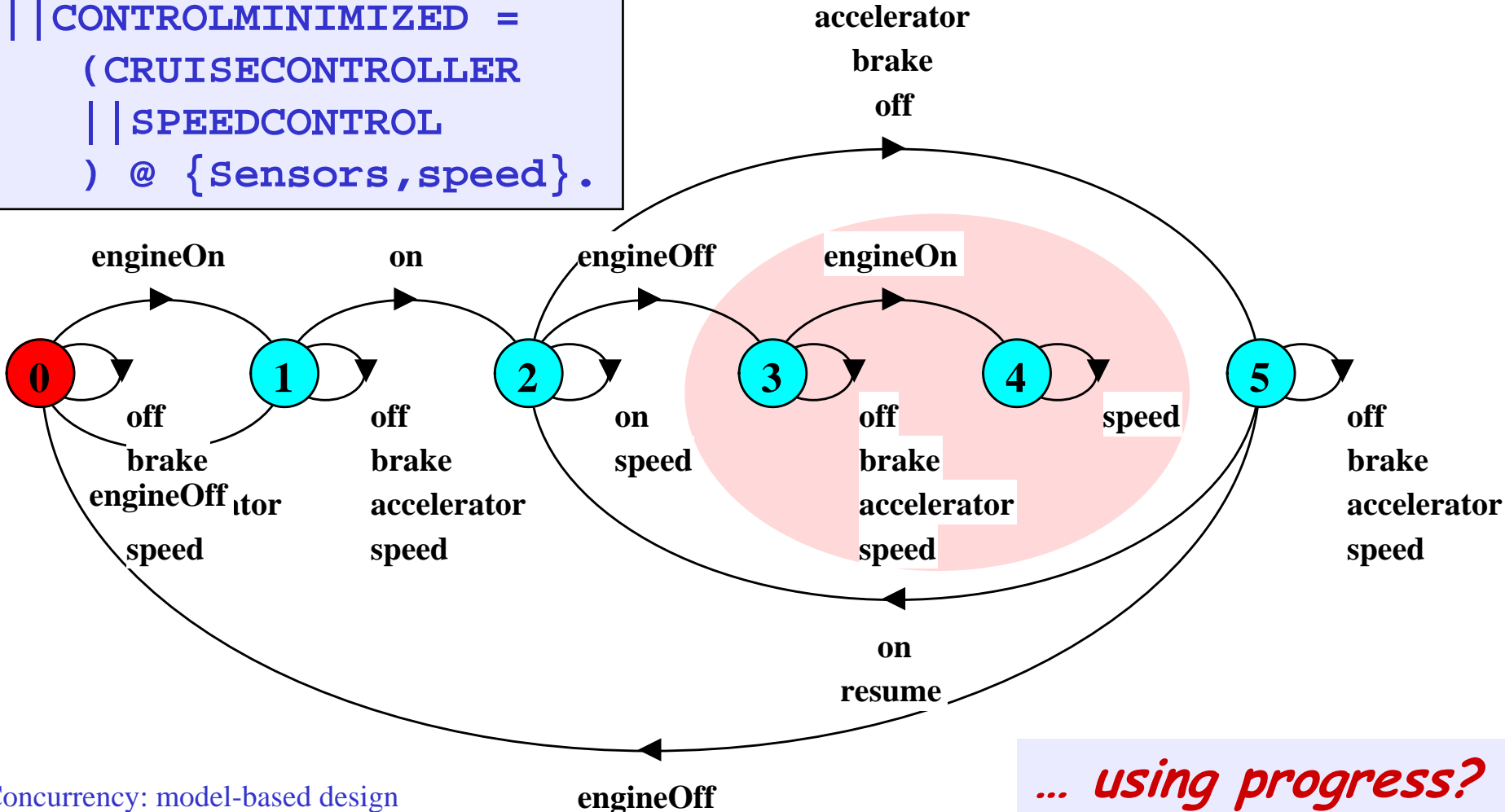
The car will accelerate and zoom off when the engine is switched on again!

... using LTS? Action hiding and minimization can help to reduce the size of an LTS diagram and make it easier to interpret ...

Model LTS for CONTROLMINIMIZED

```

minimal
|| CONTROLMINIMIZED =
  ( CRUISECONTROLLER
  || SPEEDCONTROL
  ) @ {Sensors, speed}.
  
```



Concurrency: model-based design

... using progress?

model - Progress properties

Progress violation for actions:

```
{accelerator, brake, clearSpeed, disableControl,  
enableControl, engineOff, engineOn, off, on,  
recordSpeed, resume}
```

Trace to terminal set of states:

```
engineOn  
clearSpeed  
on  
recordSpeed  
enableControl  
engineOff  
engineOn
```

Cycle in terminal set:

```
speed  
setThrottle
```

Actions in terminal set:

```
{setThrottle, speed}
```

Check the model for progress properties with no safety property and no hidden actions

model - revised cruise controller

Modify CRUISECONTROLLER so that control is **disabled** when the engine is switched off:

```
...
CRUISING =(engineOff -> disableControl -> INACTIVE
           |DisableActions -> disableControl -> STANDBY
           |on->recordSpeed->enableControl->CRUISING
           ),
...

```

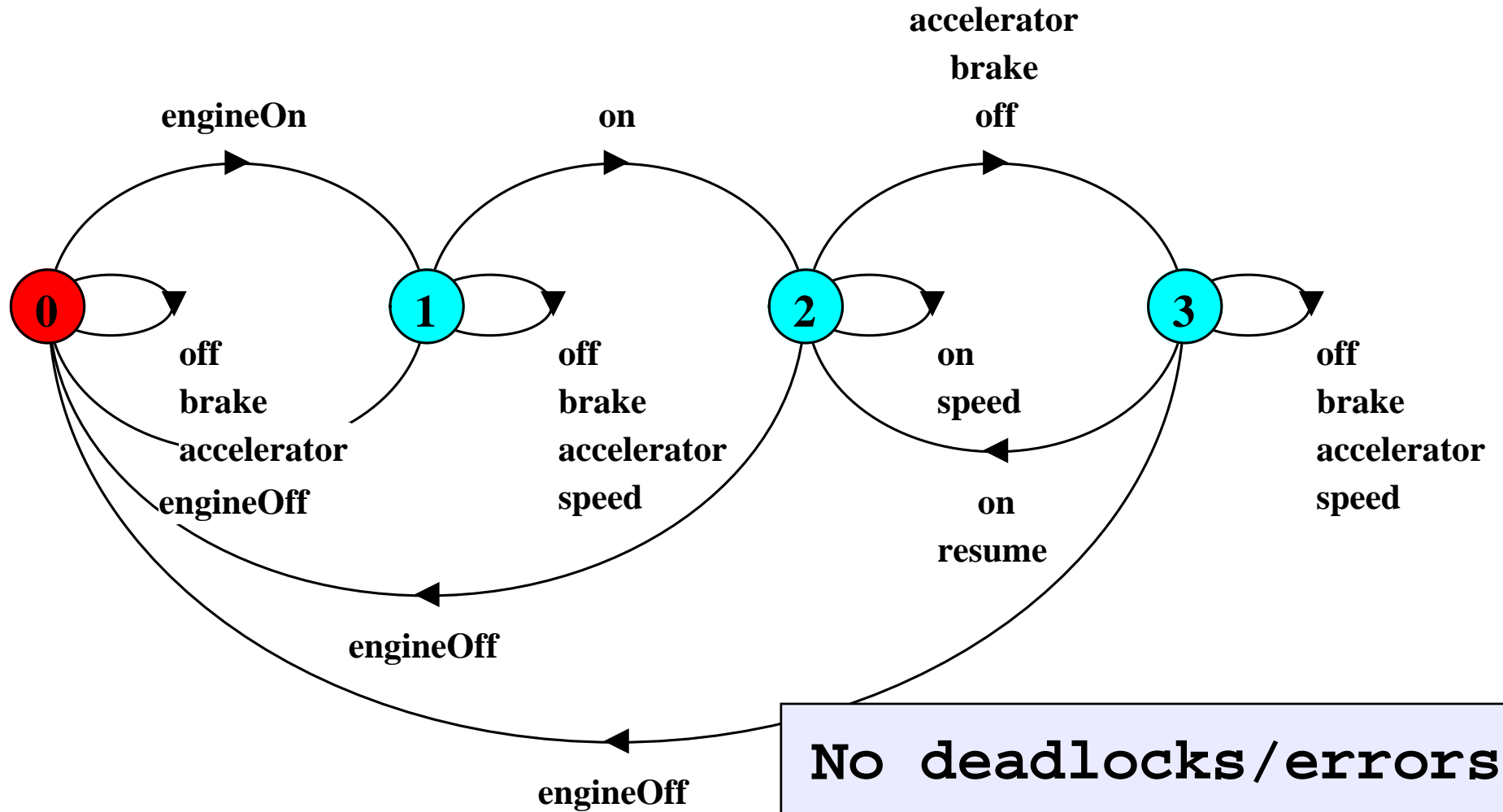
Modify the **safety** property:

```
property IMPROVEDSAFETY =
  {DisableActions,disableControl,engineOff} -> IMPROVEDSAFETY
  |{on,resume} -> SAFETYCHECK
  ),
SAFETYCHECK = ({on,resume} -> SAFETYCHECK
               |{DisableActions,engineOff} -> SAFETYACTION
               |disableControl -> IMPROVEDSAFETY
               ),
SAFETYACTION =(disableControl -> IMPROVEDSAFETY).

```

OK now?

revised CONTROLMINIMIZED



model analysis

We can now proceed to compose the whole system:

```
|| CONTROL =  
  ( CRUISECONTROLLER | | SPEEDCONTROL | | CRUISESAFETY  
  )@ {sensors, speed, setThrottle}.  
  
|| CRUISECONTROLSYSTEM =  
  ( CONTROL | | SENSORSCAN | | INPUTSPEED | | THROTTLE ).
```

Deadlock?
Safety?

No deadlocks/errors

Progress?

model - Progress properties

Progress checks are **not compositional**. Even if there is no violation at a subsystem level, there may still be a violation when the subsystem is composed with other subsystems.

This is because an action in the subsystem may satisfy progress yet be unreachable when the subsystem is composed with other subsystems which constrain its behavior. Hence...

Progress checks should be conducted on the complete target system after satisfactory completion of the safety checks.

Progress?

No progress violations detected.

model - system sensitivities

What about progress under **adverse** conditions?
Check for system sensitivities.

```
|| SPEEDHIGH = CRUISECONTROLSYSTEM << {speed}.
```

Progress violation for actions:

```
{engineOn, engineOff, on, off, brake, accelerator,  
resume, setThrottle, zoom}
```

Path to terminal set of states:

```
engineOn
```

```
tau
```

Actions in terminal set:

```
{speed}
```

The system may be sensitive to the priority of the action speed.

model interpretation

Models can be used to indicate system sensitivities.

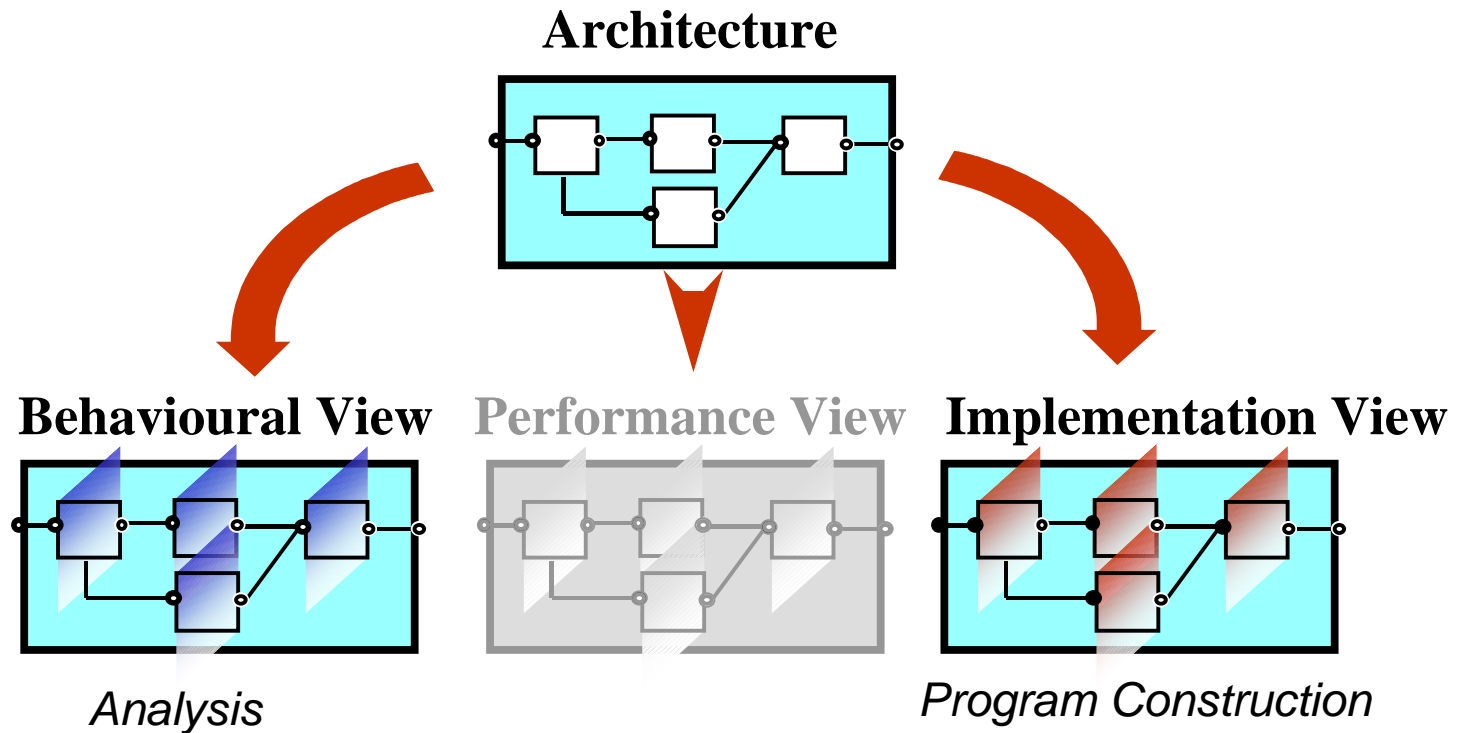
If it is possible that erroneous situations detected in the model may occur in the implemented system, then the model should be revised to find a design which ensures that those violations are avoided.

However, if it is considered that the real system will **not** exhibit this behavior, then no further model revisions are necessary.

Model interpretation and correspondence to the implementation are important in determining the relevance and adequacy of the model design and its analysis.

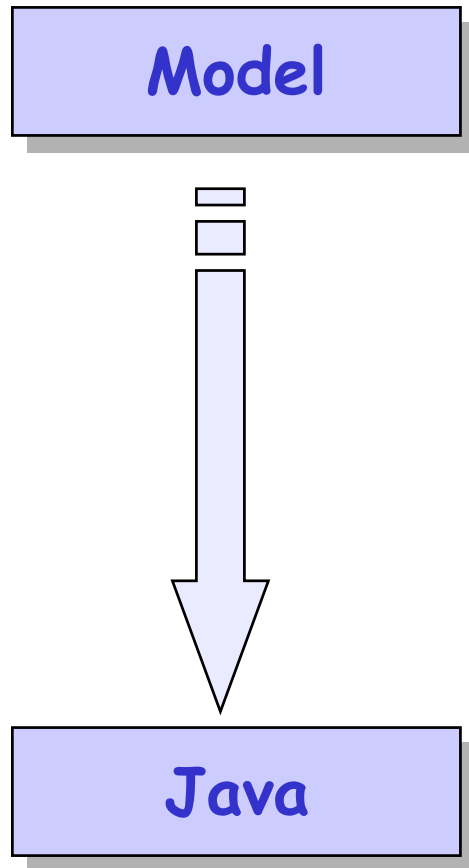
The central role of design architecture

Design architecture describes the gross organization and global structure of the system in terms of its constituent components.



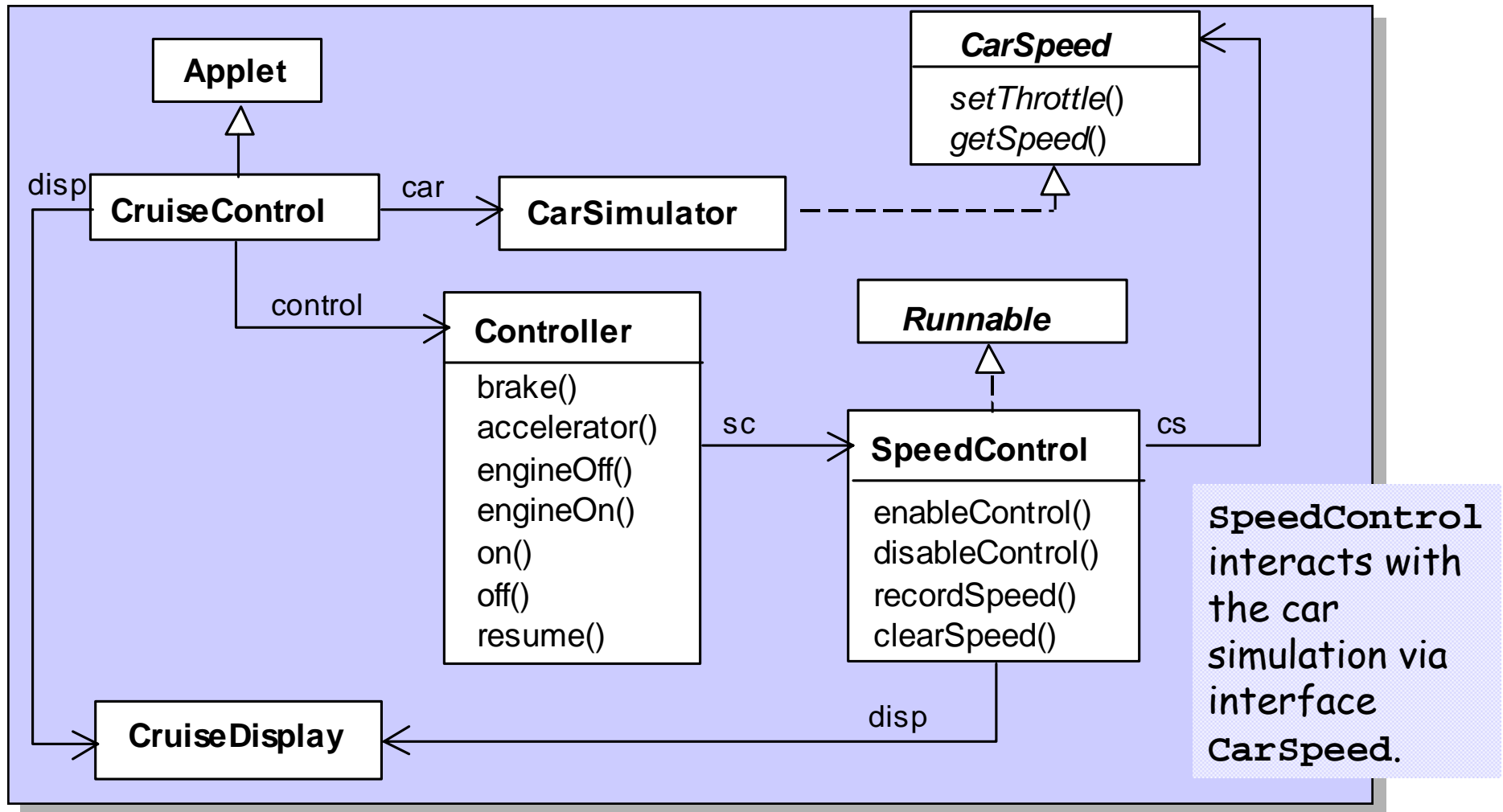
We consider that the models for analysis and the implementation should be considered as elaborated views of this basic design structure.

8.2 from models to implementations



- ◆ identify the main active entities
 - to be implemented as threads
- ◆ identify the main (shared) passive entities
 - to be implemented as monitors
- ◆ identify the interactive display environment
 - to be implemented as associated classes
- ◆ structure the classes as a class diagram

cruise control system - class diagram



cruise control system - class Controller

```
class Controller {
    final static int INACTIVE = 0; // cruise controller states
    final static int ACTIVE   = 1;
    final static int CRUISING = 2;
    final static int STANDBY  = 3;
    private int controlState = INACTIVE; // initial state
    private SpeedControl sc;

    Controller(CarSpeed cs, CruiseDisplay disp)
        {sc=new SpeedControl(cs,disp);}

    synchronized void brake(){
        if (controlState==CRUISING )
            {sc.disableControl(); controlState=STANDBY; }
    }

    synchronized void accelerator(){
        if (controlState==CRUISING )
            {sc.disableControl(); controlState=STANDBY; }
    }

    synchronized void engineOff(){
        if(controlState!=INACTIVE) {
            if (controlState==CRUISING) sc.disableControl();
            controlState=INACTIVE;
        }
    }
}
```

Controller is a passive entity - it reacts to events. Hence we implement it as a **monitor**

cruise control system - class **Controller**

```
synchronized void engineOn(){
    if(controlState==INACTIVE)
        {sc.clearSpeed(); controlState=ACTIVE;}
}

synchronized void on(){
    if(controlState!=INACTIVE){
        sc.recordSpeed(); sc.enableControl();
        controlState=CRUISING;
    }
}

synchronized void off(){
    if(controlState==CRUISING )
        {sc.disableControl(); controlState=STANDBY;}
}

synchronized void resume(){
    if(controlState==STANDBY)
        {sc.enableControl(); controlState=CRUISING;}
}
}
```

This is a direct translation from the model.

cruise control system - class `SpeedControl`

```
class SpeedControl implements Runnable {
    final static int DISABLED = 0; //speed control states
    final static int ENABLED = 1;
    private int state = DISABLED; //initial state
    private int setSpeed = 0; //target speed
    private Thread speedController;
    private CarSpeed cs; //interface to control speed
    private CruiseDisplay disp;

    SpeedControl(CarSpeed cs, CruiseDisplay disp){
        this.cs=cs; this.disp=disp;
        disp.disable(); disp.record(0);
    }

    synchronized void recordSpeed(){
        setSpeed=cs.getSpeed(); disp.record(setSpeed);
    }

    synchronized void clearSpeed(){
        if (state==DISABLED) {setSpeed=0;disp.record(setSpeed);}
    }

    synchronized void enableControl(){
        if (state==DISABLED) {
            disp.enable(); speedController= new Thread(this);
            speedController.start(); state=ENABLED;
        }
    }
}
```

`SpeedControl` is an active entity - when enabled, a **new thread** is created which periodically obtains car speed and sets the throttle.

cruise control system - class `SpeedControl`

```
synchronized void disableControl(){
    if (state==ENABLED) {disp.disable(); state=DISABLED;}
}

public void run() {           // the speed controller thread
    try {
        while (state==ENABLED) {
            double error = (float)(setSpeed-cs.getSpeed())/6.0;
            double steady = (double)setSpeed/12.0;
            cs.setThrottle(steady+error);//simplified feed back control
            wait(500);
        }
    } catch (InterruptedException e) {}
    speedController=null;
}
```

`SpeedControl` is an example of a class that combines both synchronized access methods (to update local variables) and a thread.

Summary

◆ Concepts

- design process:

from requirements to models to implementations

- design architecture

◆ Models

- check properties of interest

safety: *compose safety properties at appropriate (sub)system*

progress: *apply progress check on the final target system model*

◆ Practice

- model interpretation - to infer actual system behavior
- threads and monitors

Aim: rigorous design process.

Course Outline

- 2. Processes and Threads
- 3. Concurrent Execution
- 4. Shared Objects & Interference
- 5. Monitors & Condition Synchronization
- 6. Deadlock
- 7. Safety and Liveness Properties
- 8. Model-based Design

The main basic
Concepts
Models
Practice

Advanced topics ...

- 9. Dynamic systems
- 10. Message Passing
- 11. Concurrent Software Architectures
- 12. Timed Systems
- 13. Program Verification
- 14. Logical Properties

Concurrency: model-based design