



2M

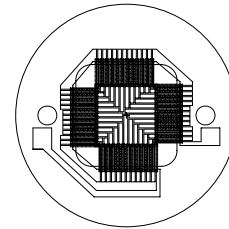
Thin Film Based Thermopile Detector

Features: A thin film-based single element thermopile detector that offers the world's highest sensitivity in a TO-5 package. Dare to compare. Low noise voltage of $12.8nV/\sqrt{Hz}$.

Options: 1) See [Standard Windows and Filters](#) for list of optical filter options. 2) Order this unit encapsulated with Xenon and this becomes a super-high output detector with very low noise. See [Thermopile Configuration Table](#) for more options.

Applications: Excellent for gas analysis, fire detection and non-contact temperature measurement.

Benefit: Extremely high output with best signal-to-noise performance with a time constant of 85ms when encapsulated with Argon gas.



Detector circuit overlay



2M

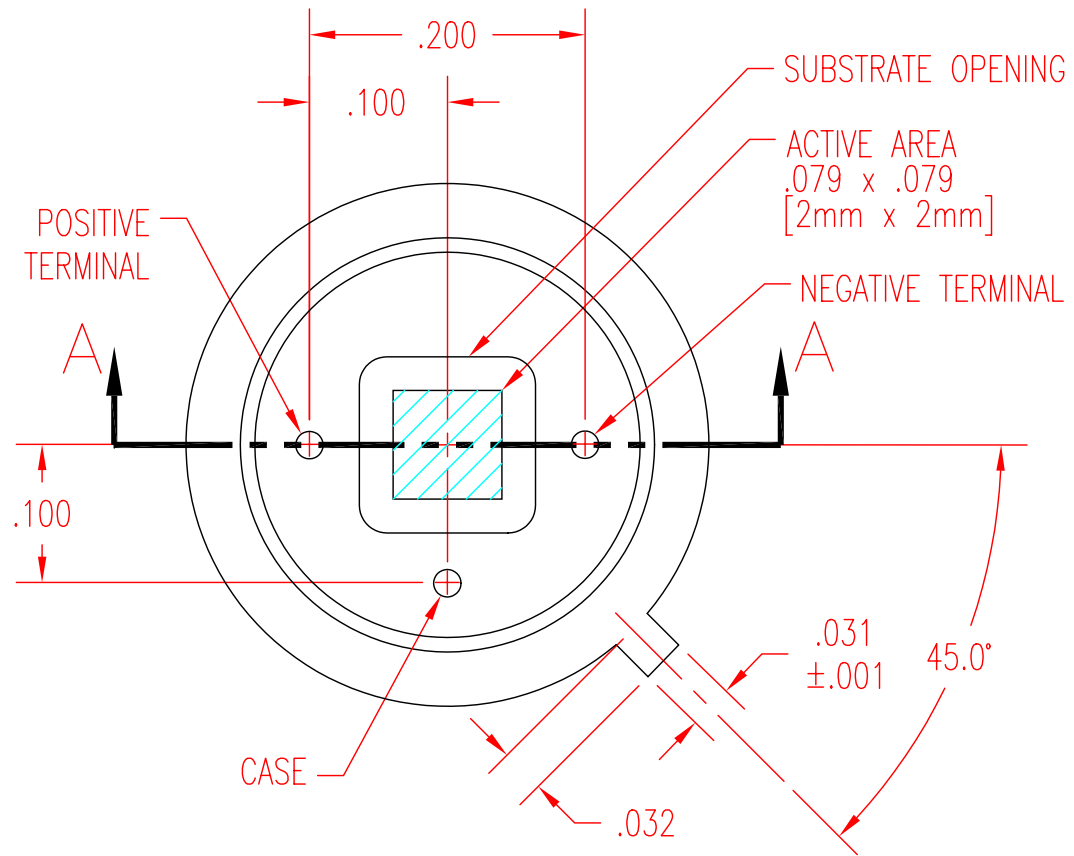
Technical Specifications

Specifications apply at 23°C with KBr Window and Argon encapsulating gas

Parameter	Min	Typical	Max	Symbol	Units	Comments
Active Area size	2 x 2			AA	mm	Hot junction size, per element.
Element Area	4			A	mm ²	
Number of Junctions	48					Per element.
Number of Channels	1					Per detector package.
Output Voltage	200	250	300	V _s	μV	DC, H=330μW/cm ² (3)
Signal-to-Noise Ratio	12,739	19,531	30,303	SNR	√Hz	DC, SNR=V _s /V _n
Responsivity	15.2	18.9	22.7	ℳ	V/W	DC, ℳ=V _s /HA (2)
Resistance	5	10	15	R	kΩ	Detector element
Temperature Coefficient of ℳ		-36			%/°C	Best linear fit, 0° to 85°C (1)
Temperature Coefficient of R		-2			%/°C	Best fit, 0° to 85°C (1)
Noise Voltage	9.9	12.8	15.7	V _n	nV/√Hz	V _n ² =4kTR
Noise Equivalent Power	.44	.68	1.0	NEP	nW/√Hz	DC, NEP= V _n HA/V _s (2)
Detectivity	1.9	3.0	4.6	D*	10 ⁸ cm√Hz/W	DC, D*=V _s /V _n H√A (2)
Time Constant		85		T	ms	Chopped, -3dB point (1)
Field of View	38°/95°			FOV	Degrees	See Assembly Drawings for FOV Description.
Package Type	TO-5					Standard package hole size: Ø.150"
Operating Temperature	-50		100	T _a	°C	

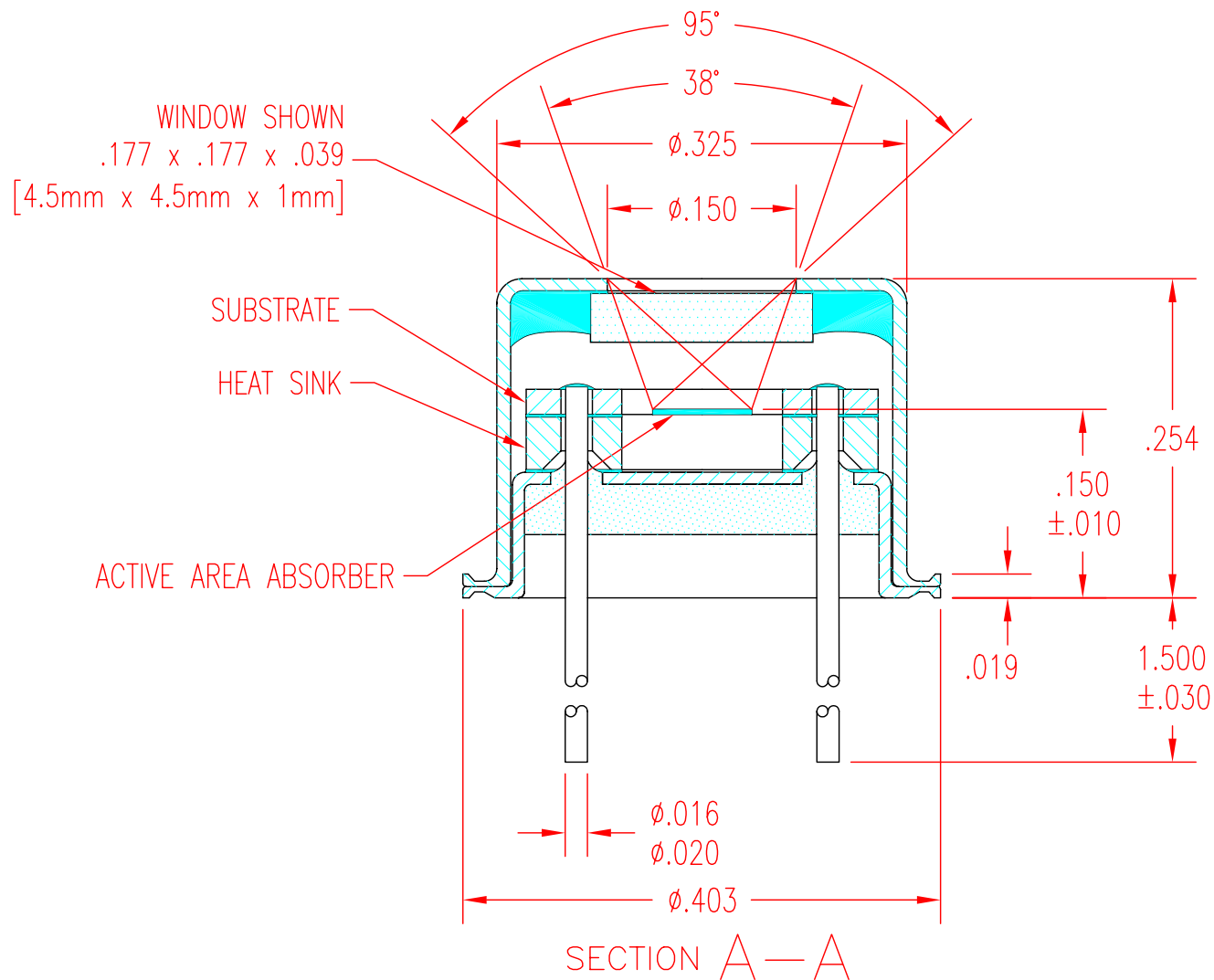
General Specifications: Flat spectral response from 100nm to > 100μm. Linear signal output from 10⁻⁶ to 0.1W/cm². Maximum incident radiance 0.1W/cm², damage threshold ≥ .5W/cm²

Notes: (1) Parameter is not 100% tested. 90% of all units meet these specifications. (2) A is detector area in cm². (3) Test Conditions: 500K Blackbody source; Detector active surface 10cm from 0.6513cm Diameter Blackbody Aperture.



TOP VIEW
WITHOUT COVER

UNLESS OTHERWISE SPECIFIED, ALL DIMENSIONS ARE IN INCHES. TOLERANCES ARE:		DEXTER RESEARCH CENTER, Inc. 7300 Huron River Dr., Dexter, MI 48130, ph. 734-426-3921 fax 734-426-5090				
FRACTIONS ±	DECIMALS .XX ± .XXX ± .005					ANGLES ±
APPROVALS	DATE	SIZE:	SCALE:	DWG. NO.	REV.	PAGE:
DRAWN: DLJ	9/25/00	A	7" = 1"	1011.1	A	1 OF 2
CHECKED:		DRC PART NO.		MATERIAL:		FINISH:
ENGINEERED:						
APPROVED:						



UNLESS OTHERWISE SPECIFIED, ALL DIMENSIONS ARE IN INCHES.		DEXTER RESEARCH CENTER, Inc.			
TOLERANCES ARE:		7300 Huron River Dr., Dexter, MI 48130, ph. 734-426-3921 fax 734-426-5090			
FRACTIONS	DECIMALS	ANGLES		ASSEMBLY, 2M, 2MC Au, 2MC Sb, w/ HEAT SINK, CROSS SECTION	
±	.XX ±	±			
	.XXX ± .005				
APPROVALS	DATE	SIZE:	SCALE:	DWG. NO.	REV. PAGE:
DRAWN: DLJ	9/20/00	A	7" = 1"	1011.2	A 2 OF 2
CHECKED:		DRC PART NO.		MATERIAL:	FINISH:
ENGINEERED:					
APPROVED:					