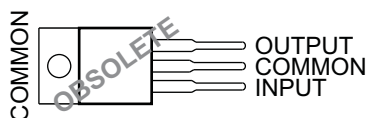
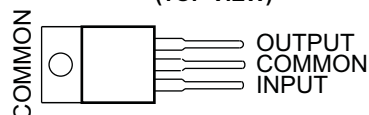
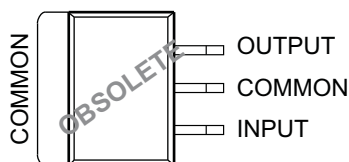
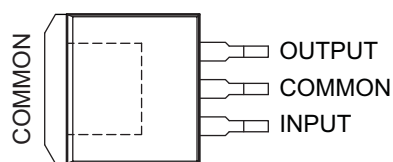


FIXED POSITIVE VOLTAGE REGULATORS

 Check for Samples: [μA7800 SERIES](#)

FEATURES

- 3-Terminal Regulators
- Available in fixed 5V/8V/10V/12V/15V/24V options
- Output Current up to 1.5 A
- Internal Thermal-Overload Protection
- High Power-Dissipation Capability
- Internal Short-Circuit Current Limiting
- Output Transistor Safe-Area Compensation

**KC (TO-220) PACKAGE
(TOP VIEW)**

**KCS OR KCT (TO-220) PACKAGE
(TOP VIEW)**

**KTE (PowerFLEX™) PACKAGE
(TOP VIEW)**

**KTT (TO-263) PACKAGE
(TOP VIEW)**


DESCRIPTION/ORDERING INFORMATION

This series of fixed-voltage integrated-circuit voltage regulators is designed for a wide range of applications. These applications include on-card regulation for elimination of noise and distribution problems associated with single-point regulation. Each of these regulators can deliver up to 1.5 A of output current. The internal current-limiting and thermal-shutdown features of these regulators essentially make them immune to overload. In addition to use as fixed-voltage regulators, these devices can be used with external components to obtain adjustable output voltages and currents, and also can be used as the power-pass element in precision regulators.



Please be aware that an important notice concerning availability, standard warranty, and use in critical applications of Texas Instruments semiconductor products and disclaimers thereto appears at the end of this data sheet.

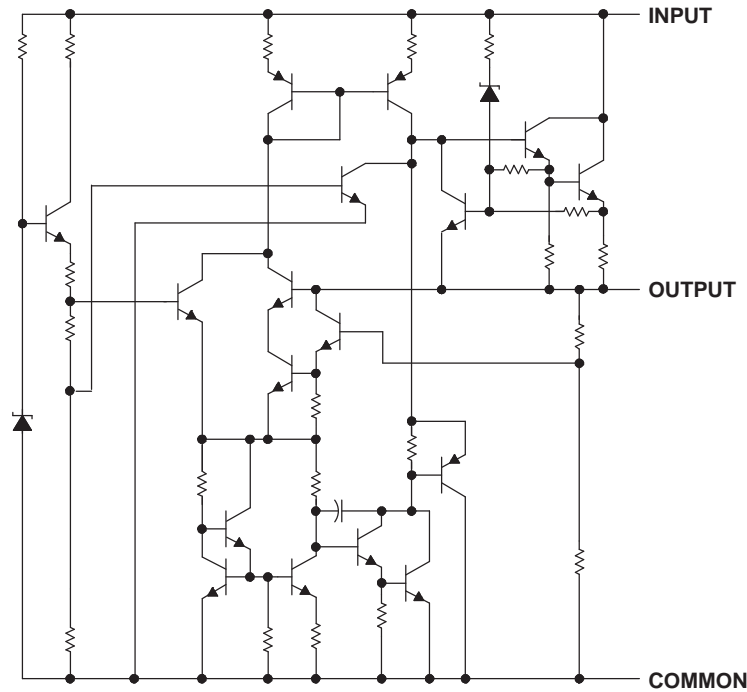
PowerFLEX, PowerPAD are trademarks of Texas Instruments.

ORDERING INFORMATION⁽¹⁾

| T _J | V _{O(NOM)} | PACKAGE ⁽²⁾ | | ORDERABLE PART NUMBER | TOP-SIDE MARKING |
|----------------|------------------------------|------------------------------|-------------|-----------------------|------------------|
| 0°C to 125°C | 5 V | TO-220, short shoulder – KCS | Tube of 50 | UA7805CKCS | UA7805C |
| | | TO-220, single gauge – KCT | Tube of 50 | UA7805CKCT | UA7805C |
| | | TO-263 – KTT | Reel of 500 | UA7805CKTTR | UA7805C |
| | | PowerFLEX™ – KTE | | OBSOLETE | OBSOLETE |
| | | TO-220 – KC | | OBSOLETE | OBSOLETE |
| | 8 V | TO-220, short shoulder – KCS | Tube of 50 | UA7808CKCS | UA7808C |
| | | TO-220, single gauge – KCT | Tube of 50 | UA7808CKCT | UA7808C |
| | | TO-263 – KTT | Reel of 500 | UA7808CKTTR | UA7808C |
| | | PowerFLEX – KTE | | OBSOLETE | OBSOLETE |
| | | TO-220 – KC | | OBSOLETE | OBSOLETE |
| | 10 V | TO-220, short shoulder – KCS | Tube of 50 | UA7810CKCS | UA7810C |
| | | TO-263 – KTT | Reel of 500 | UA7810CKTTR | UA7810C |
| | | PowerFLEX – KTE | | OBSOLETE | OBSOLETE |
| | | TO-220 – KC | | OBSOLETE | OBSOLETE |
| | 12 V | TO-220, short shoulder – KCS | Tube of 50 | UA7812CKCS | UA7812C |
| | | TO-220, single gauge – KCT | Tube of 50 | UA7812CKCT | UA7812C |
| | | TO-263 – KTT | Reel of 500 | UA7812CKTTR | UA7812C |
| | | PowerFLEX – KTE | | OBSOLETE | OBSOLETE |
| | | TO-220 – KC | | OBSOLETE | OBSOLETE |
| | 15 V | TO-220, short shoulder – KCS | Tube of 50 | UA7815CKCS | UA7815C |
| | | TO-220, single gauge – KCT | Tube of 50 | UA7815CKCT | UA7815C |
| | | TO-263 – KTT | Reel of 500 | UA7815CKTTR | UA7815C |
| | | PowerFLEX – KTE | | OBSOLETE | OBSOLETE |
| | | TO-220 – KC | | OBSOLETE | OBSOLETE |
| 24 V | TO-220, short shoulder – KCS | Tube of 50 | UA7824CKCS | UA7824C | |
| | TO-263 – KTT | Reel of 500 | UA7824CKTTR | UA7824C | |
| | PowerFLEX – KTE | | OBSOLETE | OBSOLETE | |
| | TO-220 – KC | | OBSOLETE | OBSOLETE | |

- (1) For the most current package and ordering information, see the Package Option Addendum at the end of this document, or see the TI web site at www.ti.com.
- (2) Package drawings, thermal data, and symbolization are available at www.ti.com/packaging.

Figure 1. SCHEMATIC



Absolute Maximum Ratings⁽¹⁾

over virtual junction temperature range (unless otherwise noted)

| | | MIN | MAX | UNIT |
|------------------|--|-------------------------------------|-----|------|
| V _I | Input voltage | μA7824C | | V |
| | | All others | | |
| T _J | Operating virtual junction temperature | | 150 | °C |
| | Lead temperature | 1,6 mm (1/16 in) from case for 10 s | | °C |
| T _{stg} | Storage temperature range | -65 | 150 | °C |

- (1) Stresses beyond those listed under "absolute maximum ratings" may cause permanent damage to the device. These are stress ratings only, and functional operation of the device at these or any other conditions beyond those indicated under "recommended operating conditions" is not implied. Exposure to absolute-maximum-rated conditions for extended periods may affect device reliability.

Package Thermal Data⁽¹⁾

| PACKAGE | BOARD | θ _{JA} | θ _{JC} | θ _{JP} ⁽²⁾ |
|--|-------------------|-----------------|-----------------|--------------------------------|
| PowerFLEX (KTE) – OBSOLETE | High K, JESD 51-5 | 23°C/W | 3°C/W | 2.7°C/W |
| TO-220 (KCS), (KCT) (KC – OBSOLETE) | High K, JESD 51-5 | 19°C/W | 17°C/W | 3°C/W |
| TO-263 (KTT) | High K, JESD 51-5 | 25.3°C/W | 18°C/W | 1.94°C/W |

- (1) Maximum power dissipation is a function of T_{J(max)}, θ_{JA}, and T_A. The maximum allowable power dissipation at any allowable ambient temperature is P_D = (T_{J(max)} – T_A)/θ_{JA}. Operating at the absolute maximum T_J of 150°C can affect reliability.
- (2) For packages with exposed thermal pads, such as QFN, PowerPAD™, or PowerFLEX, θ_{JP} is defined as the thermal resistance between the die junction and the bottom of the exposed pad.

Recommended Operating Conditions

| | | MIN | MAX | UNIT | |
|----------------|--|--------|------|------|---|
| V _I | Input voltage | μA7805 | 7 | 25 | V |
| | | μA7808 | 10.5 | 25 | |
| | | μA7810 | 12.5 | 28 | |
| | | μA7812 | 14.5 | 30 | |
| | | μA7815 | 17.5 | 30 | |
| | | μA7824 | 27 | 38 | |
| I _O | Output current | | 1.5 | A | |
| T _J | Operating virtual junction temperature | 0 | 125 | °C | |

μA7805 Electrical Characteristics

at specified virtual junction temperature, $V_I = 10\text{ V}$, $I_O = 500\text{ mA}$ (unless otherwise noted)

| PARAMETER | TEST CONDITIONS | T_J (1) | μA7805C | | | UNIT |
|---|---|--------------|---------|-------|------|-------|
| | | | MIN | TYP | MAX | |
| Output voltage | $I_O = 5\text{ mA to }1\text{ A}$, $V_I = 7\text{ V to }20\text{ V}$, $P_D \leq 15\text{ W}$ | 25°C | 4.8 | 5 | 5.2 | V |
| | | 0°C to 125°C | 4.75 | | 5.25 | |
| Input voltage regulation | $V_I = 7\text{ V to }25\text{ V}$ | 25°C | | 3 | 100 | mV |
| | $V_I = 8\text{ V to }12\text{ V}$ | | | 1 | 50 | |
| Ripple rejection (2) | $V_I = 8\text{ V to }12\text{ V}$, $f = 120\text{ Hz}$ | 0°C to 125°C | 62 | 78 | | dB |
| | $V_I = 8\text{ V to }12\text{ V}$, $f = 120\text{ Hz (KCT)}$ | | | 68 | | |
| Output voltage regulation | $I_O = 5\text{ mA to }1.5\text{ A}$ | 25°C | | 15 | 100 | mV |
| | $I_O = 250\text{ mA to }750\text{ mA}$ | | | 5 | 50 | |
| Output resistance | $f = 1\text{ kHz}$ | 0°C to 125°C | | 0.017 | | Ω |
| Temperature coefficient of output voltage | $I_O = 5\text{ mA}$ | 0°C to 125°C | | -1.1 | | mV/°C |
| Output noise voltage | $f = 10\text{ Hz to }100\text{ kHz}$ | 25°C | | 40 | | μV |
| Dropout voltage | $I_O = 1\text{ A}$ | 25°C | | 2 | | V |
| Bias current | | 25°C | | 4.2 | 8 | mA |
| Bias current change | $V_I = 7\text{ V to }25\text{ V}$ | 0°C to 125°C | | | 1.3 | mA |
| | $I_O = 5\text{ mA to }1\text{ A}$ | | | | 0.5 | |
| Short-circuit output current | | 25°C | | 750 | | mA |
| Peak output current | | 25°C | | 2.2 | | A |

(1) Pulse-testing techniques maintain the junction temperature as close to the ambient temperature as possible. Thermal effects must be taken into account separately. All characteristics are measured with a 0.33-μF capacitor across the input and a 0.1-μF capacitor across the output.

(2) This parameter is validated by design and verified during product characterization. It is not tested in production.

μA7808 Electrical Characteristics

at specified virtual junction temperature, $V_I = 14\text{ V}$, $I_O = 500\text{ mA}$ (unless otherwise noted)

| PARAMETER | TEST CONDITIONS | T_J (1) | μA7808C | | | UNIT |
|---|--|--------------|---------|-------|-----|-------|
| | | | MIN | TYP | MAX | |
| Output voltage | $I_O = 5\text{ mA to }1\text{ A}$, $V_I = 10.5\text{ V to }23\text{ V}$, $P_D \leq 15\text{ W}$ | 25°C | 7.7 | 8 | 8.3 | V |
| | | 0°C to 125°C | 7.6 | | 8.4 | |
| Input voltage regulation | $V_I = 10.5\text{ V to }25\text{ V}$ | 25°C | | 6 | 160 | mV |
| | $V_I = 11\text{ V to }17\text{ V}$ | | | 2 | 80 | |
| Ripple rejection (2) | $V_I = 11.5\text{ V to }21.5\text{ V}$, $f = 120\text{ Hz}$ | 0°C to 125°C | 55 | 72 | | dB |
| | $V_I = 11.5\text{ V to }21.5\text{ V}$, $f = 120\text{ Hz (KCT)}$ | | | 62 | | |
| Output voltage regulation | $I_O = 5\text{ mA to }1.5\text{ A}$ | 25°C | | 12 | 160 | mV |
| | $I_O = 250\text{ mA to }750\text{ mA}$ | | | 4 | 80 | |
| Output resistance | $f = 1\text{ kHz}$ | 0°C to 125°C | | 0.016 | | Ω |
| Temperature coefficient of output voltage | $I_O = 5\text{ mA}$ | 0°C to 125°C | | -0.8 | | mV/°C |
| Output noise voltage | $f = 10\text{ Hz to }100\text{ kHz}$ | 25°C | | 52 | | μV |
| Dropout voltage | $I_O = 1\text{ A}$ | 25°C | | 2 | | V |
| Bias current | | 25°C | | 4.3 | 8 | mA |
| Bias current change | $V_I = 10.5\text{ V to }25\text{ V}$ | 0°C to 125°C | | | 1 | mA |
| | $I_O = 5\text{ mA to }1\text{ A}$ | | | | 0.5 | |
| Short-circuit output current | | 25°C | | 450 | | mA |

(1) Pulse-testing techniques maintain the junction temperature as close to the ambient temperature as possible. Thermal effects must be taken into account separately. All characteristics are measured with a 0.33-μF capacitor across the input and a 0.1-μF capacitor across the output.

(2) This parameter is validated by design and verified during product characterization. It is not tested in production.

μA7808 Electrical Characteristics (continued)

at specified virtual junction temperature, $V_I = 14\text{ V}$, $I_O = 500\text{ mA}$ (unless otherwise noted)

| PARAMETER | TEST CONDITIONS | T_J ⁽¹⁾ | μA7808C | | | UNIT |
|---------------------|-----------------|----------------------|---------|-----|-----|------|
| | | | MIN | TYP | MAX | |
| Peak output current | | 25°C | | 2.2 | | A |

μA7810 Electrical Characteristics

at specified virtual junction temperature, $V_I = 17\text{ V}$, $I_O = 500\text{ mA}$ (unless otherwise noted)

| PARAMETER | TEST CONDITIONS | T_J ⁽¹⁾ | μA7810C | | | UNIT |
|---|---|----------------------|---------|-------|------|-------|
| | | | MIN | TYP | MAX | |
| Output voltage | $I_O = 5\text{ mA to }1\text{ A}$, $V_I = 12.5\text{ V to }25\text{ V}$, $P_D \leq 15\text{ W}$ | 25°C | 9.6 | 10 | 10.4 | V |
| | | 0°C to 125°C | 9.5 | | 10.5 | |
| Input voltage regulation | $V_I = 12.5\text{ V to }28\text{ V}$ | 25°C | | 7 | 200 | mV |
| | $V_I = 14\text{ V to }20\text{ V}$ | | | 2 | 100 | |
| Ripple rejection ⁽²⁾ | $V_I = 13\text{ V to }23\text{ V}$, $f = 120\text{ Hz}$ | 0°C to 125°C | 55 | 71 | | dB |
| Output voltage regulation | $I_O = 5\text{ mA to }1.5\text{ A}$ | 25°C | | 12 | 200 | mV |
| | $I_O = 250\text{ mA to }750\text{ mA}$ | | | 4 | 100 | |
| Output resistance | $f = 1\text{ kHz}$ | 0°C to 125°C | | 0.018 | | Ω |
| Temperature coefficient of output voltage | $I_O = 5\text{ mA}$ | 0°C to 125°C | | -1 | | mV/°C |
| Output noise voltage | $f = 10\text{ Hz to }100\text{ kHz}$ | 25°C | | 70 | | μV |
| Dropout voltage | $I_O = 1\text{ A}$ | 25°C | | 2 | | V |
| Bias current | | 25°C | | 4.3 | 8 | mA |
| Bias current change | $V_I = 12.5\text{ V to }28\text{ V}$ | 0°C to 125°C | | | 1 | mA |
| | $I_O = 5\text{ mA to }1\text{ A}$ | | | | 0.5 | |
| Short-circuit output current | | 25°C | | 400 | | mA |
| Peak output current | | 25°C | | 2.2 | | A |

- (1) Pulse-testing techniques maintain the junction temperature as close to the ambient temperature as possible. Thermal effects must be taken into account separately. All characteristics are measured with a 0.33-μF capacitor across the input and a 0.1-μF capacitor across the output.
- (2) This parameter is validated by design and verified during product characterization. It is not tested in production.

μA7812 Electrical Characteristics

at specified virtual junction temperature, $V_I = 19\text{ V}$, $I_O = 500\text{ mA}$ (unless otherwise noted)

| PARAMETER | TEST CONDITIONS | T_J ⁽¹⁾ | μA7812C | | | UNIT |
|---|---|----------------------|---------|-------|------|-------|
| | | | MIN | TYP | MAX | |
| Output voltage | $I_O = 5\text{ mA to }1\text{ A}$, $V_I = 14.5\text{ V to }27\text{ V}$, $P_D \leq 15\text{ W}$ | 25°C | 11.5 | 12 | 12.5 | V |
| | | 0°C to 125°C | 11.4 | | 12.6 | |
| Input voltage regulation | $V_I = 14.5\text{ V to }30\text{ V}$ | 25°C | | 10 | 240 | mV |
| | $V_I = 16\text{ V to }22\text{ V}$ | | | 3 | 120 | |
| Ripple rejection ⁽²⁾ | $V_I = 15\text{ V to }25\text{ V}$, $f = 120\text{ Hz}$ | 0°C to 125°C | 55 | 71 | | dB |
| | $V_I = 15\text{ V to }25\text{ V}$, $f = 120\text{ Hz (KCT)}$ | | | 61 | | |
| Output voltage regulation | $I_O = 5\text{ mA to }1.5\text{ A}$ | 25°C | | 12 | 240 | mV |
| | $I_O = 250\text{ mA to }750\text{ mA}$ | | | 4 | 120 | |
| Output resistance | $f = 1\text{ kHz}$ | 0°C to 125°C | | 0.018 | | Ω |
| Temperature coefficient of output voltage | $I_O = 5\text{ mA}$ | 0°C to 125°C | | -1 | | mV/°C |
| Output noise voltage | $f = 10\text{ Hz to }100\text{ kHz}$ | 25°C | | 75 | | μV |
| Dropout voltage | $I_O = 1\text{ A}$ | 25°C | | 2 | | V |

- (1) Pulse-testing techniques maintain the junction temperature as close to the ambient temperature as possible. Thermal effects must be taken into account separately. All characteristics are measured with a 0.33-μF capacitor across the input and a 0.1-μF capacitor across the output.
- (2) This parameter is validated by design and verified during product characterization. It is not tested in production.

μA7812 Electrical Characteristics (continued)

 at specified virtual junction temperature, $V_I = 19\text{ V}$, $I_O = 500\text{ mA}$ (unless otherwise noted)

| PARAMETER | TEST CONDITIONS | T_J ⁽¹⁾ | μA7812C | | | UNIT |
|------------------------------|--------------------------------------|----------------------|---------|-----|-----|------|
| | | | MIN | TYP | MAX | |
| Bias current | | 25°C | | 4.3 | 8 | mA |
| Bias current change | $V_I = 14.5\text{ V to }30\text{ V}$ | 0°C to 125°C | | | 1 | mA |
| | $I_O = 5\text{ mA to }1\text{ A}$ | | | | 0.5 | |
| Short-circuit output current | | 25°C | | 350 | | mA |
| Peak output current | | 25°C | | 2.2 | | A |

μA7815 Electrical Characteristics

 at specified virtual junction temperature, $V_I = 23\text{ V}$, $I_O = 500\text{ mA}$ (unless otherwise noted)

| PARAMETER | TEST CONDITIONS | T_J ⁽¹⁾ | μA7815C | | | UNIT |
|---|--|----------------------|---------|-------|-------|-------|
| | | | MIN | TYP | MAX | |
| Output voltage | $I_O = 5\text{ mA to }1\text{ A}$, $V_I = 17.5\text{ V to }30\text{ V}$, $P_D \leq 15\text{ W}$ | 25°C | 14.4 | 15 | 15.6 | V |
| | | 0°C to 125°C | 14.25 | | 15.75 | |
| Input voltage regulation | $V_I = 17.5\text{ V to }30\text{ V}$ | 25°C | | 11 | 300 | mV |
| | $V_I = 20\text{ V to }26\text{ V}$ | | | 3 | 150 | |
| Ripple rejection ⁽²⁾ | $V_I = 18.5\text{ V to }28.5\text{ V}$, $f = 120\text{ Hz}$ | 0°C to 125°C | 54 | 70 | | dB |
| | $V_I = 18.5\text{ V to }28.5\text{ V}$, $f = 120\text{ Hz}$ (KCT) | | | 60 | | |
| Output voltage regulation | $I_O = 5\text{ mA to }1.5\text{ A}$ | 25°C | | 12 | 300 | mV |
| | $I_O = 250\text{ mA to }750\text{ mA}$ | | | 4 | 150 | |
| Output resistance | $f = 1\text{ kHz}$ | 0°C to 125°C | | 0.019 | | Ω |
| Temperature coefficient of output voltage | $I_O = 5\text{ mA}$ | 0°C to 125°C | | -1 | | mV/°C |
| Output noise voltage | $f = 10\text{ Hz to }100\text{ kHz}$ | 25°C | | 90 | | μV |
| Dropout voltage | $I_O = 1\text{ A}$ | 25°C | | 2 | | V |
| Bias current | | 25°C | | 4.4 | 8 | mA |
| Bias current change | $V_I = 17.5\text{ V to }30\text{ V}$ | 0°C to 125°C | | | 1 | mA |
| | $I_O = 5\text{ mA to }1\text{ A}$ | | | | 0.5 | |
| Short-circuit output current | | 25°C | | 230 | | mA |
| Peak output current | | 25°C | | 2.1 | | A |

(1) Pulse-testing techniques maintain the junction temperature as close to the ambient temperature as possible. Thermal effects must be taken into account separately. All characteristics are measured with a 0.33-μF capacitor across the input and a 0.1-μF capacitor across the output.

(2) This parameter is validated by design and verified during product characterization. It is not tested in production.

μA7824 Electrical Characteristics

 at specified virtual junction temperature, $V_I = 33\text{ V}$, $I_O = 500\text{ mA}$ (unless otherwise noted)

| PARAMETER | TEST CONDITIONS | T_J ⁽¹⁾ | μA7824C | | | UNIT |
|---------------------------------|--|----------------------|---------|-----|------|------|
| | | | MIN | TYP | MAX | |
| Output voltage | $I_O = 5\text{ mA to }1\text{ A}$, $V_I = 27\text{ V to }38\text{ V}$, $P_D \leq 15\text{ W}$ | 25°C | 23 | 24 | 25 | V |
| | | 0°C to 125°C | 22.8 | | 25.2 | |
| Input voltage regulation | $V_I = 27\text{ V to }38\text{ V}$ | 25°C | | 18 | 480 | mV |
| | $V_I = 30\text{ V to }36\text{ V}$ | | | 6 | 240 | |
| Ripple rejection ⁽²⁾ | $V_I = 28\text{ V to }38\text{ V}$, $f = 120\text{ Hz}$ | 0°C to 125°C | 50 | 66 | | dB |

(1) Pulse-testing techniques maintain the junction temperature as close to the ambient temperature as possible. Thermal effects must be taken into account separately. All characteristics are measured with a 0.33-μF capacitor across the input and a 0.1-μF capacitor across the output.

(2) This parameter is validated by design and verified during product characterization. It is not tested in production.

μA7824 Electrical Characteristics (continued)

at specified virtual junction temperature, $V_I = 33\text{ V}$, $I_O = 500\text{ mA}$ (unless otherwise noted)

| PARAMETER | TEST CONDITIONS | T_J (1) | μA7824C | | | UNIT |
|---|--|--------------|---------|-------|-----|-------|
| | | | MIN | TYP | MAX | |
| Output voltage regulation | $I_O = 5\text{ mA to }1.5\text{ A}$ | 25°C | | 12 | 480 | mV |
| | $I_O = 250\text{ mA to }750\text{ mA}$ | | | 4 | 240 | |
| Output resistance | $f = 1\text{ kHz}$ | 0°C to 125°C | | 0.028 | | Ω |
| Temperature coefficient of output voltage | $I_O = 5\text{ mA}$ | 0°C to 125°C | | -1.5 | | mV/°C |
| Output noise voltage | $f = 10\text{ Hz to }100\text{ kHz}$ | 25°C | | 170 | | μV |
| Dropout voltage | $I_O = 1\text{ A}$ | 25°C | | 2 | | V |
| Bias current | | 25°C | | 4.6 | 8 | mA |
| Bias current change | $V_I = 27\text{ V to }38\text{ V}$ | 0°C to 125°C | | | 1 | mA |
| | $I_O = 5\text{ mA to }1\text{ A}$ | | | | 0.5 | |
| Short-circuit output current | | 25°C | | 150 | | mA |
| Peak output current | | 25°C | | 2.1 | | A |

APPLICATION INFORMATION

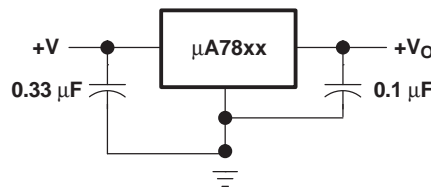


Figure 2. Fixed-Output Regulator

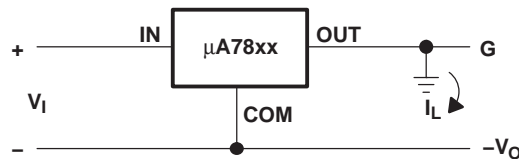
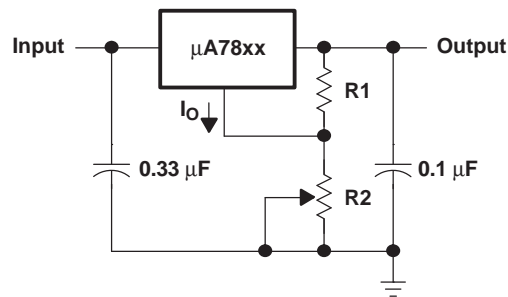


Figure 3. Positive Regulator in Negative Configuration (V_I Must Float)



A: The following formula is used when V_{xx} is the nominal output voltage (output to common) of the fixed regulator:

$$V_O = V_{xx} + \left(\frac{V_{xx}}{R_1} + I_Q \right) R_2$$

Figure 4. Adjustable-Output Regulator

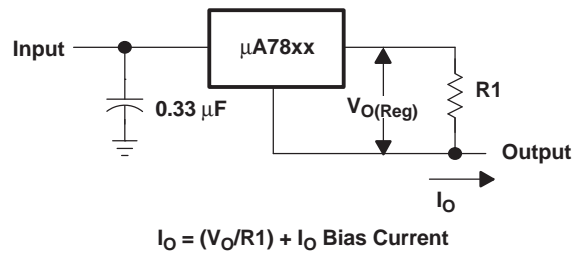


Figure 5. Current Regulator

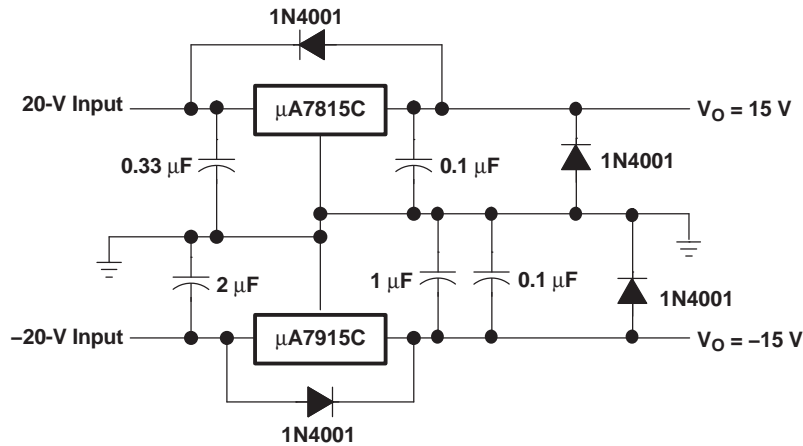


Figure 6. Regulated Dual Supply

Operation With a Load Common to a Voltage of Opposite Polarity

In many cases, a regulator powers a load that is not connected to ground but, instead, is connected to a voltage source of opposite polarity (e.g., operational amplifiers, level-shifting circuits, etc.). In these cases, a clamp diode should be connected to the regulator output as shown in Figure 7. This protects the regulator from output polarity reversals during startup and short-circuit operation.

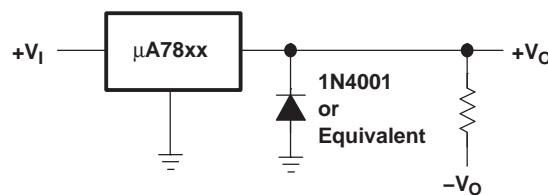


Figure 7. Output Polarity-Reversal-Protection Circuit

Reverse-Bias Protection

Occasionally, the input voltage to the regulator can collapse faster than the output voltage. This can occur, for example, when the input supply is crowbarred during an output overvoltage condition. If the output voltage is greater than approximately 7 V, the emitter-base junction of the series-pass element (internal or external) could break down and be damaged. To prevent this, a diode shunt can be used as shown in Figure 8.

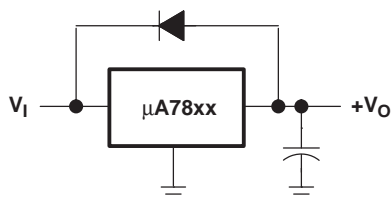


Figure 8. Reverse-Bias-Protection Circuit

REVISION HISTORY

Changes from Revision M (January 2009) to Revision N **Page**

- Added KCT package and orderable part number to the ORDERING INFORMATION table. [2](#)
-

Changes from Revision N (June 2012) to Revision O **Page**

- Added KCT Orderable Part Numbers for 8V & 12V [2](#)
-

PACKAGING INFORMATION

| Orderable Device | Status (1) | Package Type | Package Drawing | Pins | Package Qty | Eco Plan (2) | Lead/Ball Finish (6) | MSL Peak Temp (3) | Op Temp (°C) | Device Marking (4/5) | Samples |
|------------------|---------------|------------------|--------------------|------|----------------|----------------------------|-------------------------|----------------------|--------------|-------------------------|-------------------------|
| UA7805CKC | OBSOLETE | TO-220 | KC | 3 | | TBD | Call TI | Call TI | 0 to 125 | UA7805C | |
| UA7805CKCE3 | OBSOLETE | TO-220 | KC | 3 | | TBD | Call TI | Call TI | 0 to 125 | UA7805C | |
| UA7805CKCS | ACTIVE | TO-220 | KCS | 3 | 50 | Pb-Free (RoHS) | CU SN | N / A for Pkg Type | 0 to 125 | UA7805C | Samples |
| UA7805CKCSE3 | ACTIVE | TO-220 | KCS | 3 | 50 | Pb-Free (RoHS) | CU SN | N / A for Pkg Type | 0 to 125 | UA7805C | Samples |
| UA7805CKCT | ACTIVE | TO-220 | KCT | 3 | 50 | Pb-Free (RoHS) | CU SN | N / A for Pkg Type | 0 to 125 | UA7805C | Samples |
| UA7805CKTER | OBSOLETE | PFM | KTE | 3 | | TBD | Call TI | Call TI | 0 to 125 | UA7805C | |
| UA7805CKTTR | ACTIVE | DDPAK/ TO-263 | KTT | 3 | 500 | Green (RoHS & no Sb/Br) | CU SN | Level-3-245C-168 HR | 0 to 125 | UA7805C | Samples |
| UA7805CKTTRG3 | ACTIVE | DDPAK/ TO-263 | KTT | 3 | 500 | Green (RoHS & no Sb/Br) | CU SN | Level-3-245C-168 HR | 0 to 125 | UA7805C | Samples |
| UA7805QKC | OBSOLETE | TO-220 | KC | 3 | | TBD | Call TI | Call TI | -40 to 125 | | |
| UA7805QKTE | OBSOLETE | PFM | KTE | 3 | | TBD | Call TI | Call TI | -40 to 125 | | |
| UA7808CKC | OBSOLETE | TO-220 | KC | 3 | | TBD | Call TI | Call TI | 0 to 125 | UA7808C | |
| UA7808CKCE3 | OBSOLETE | TO-220 | KC | 3 | | TBD | Call TI | Call TI | 0 to 125 | UA7808C | |
| UA7808CKCS | ACTIVE | TO-220 | KCS | 3 | 50 | Pb-Free (RoHS) | CU SN | N / A for Pkg Type | 0 to 125 | UA7808C | Samples |
| UA7808CKCSE3 | ACTIVE | TO-220 | KCS | 3 | 50 | Pb-Free (RoHS) | CU SN | N / A for Pkg Type | 0 to 125 | UA7808C | Samples |
| UA7808CKCT | ACTIVE | TO-220 | KCT | 3 | 50 | Pb-Free (RoHS) | CU SN | N / A for Pkg Type | 0 to 125 | UA7808C | Samples |
| UA7808CKTER | OBSOLETE | PFM | KTE | 3 | | TBD | Call TI | Call TI | 0 to 125 | UA7808C | |
| UA7808CKTTR | ACTIVE | DDPAK/ TO-263 | KTT | 3 | 500 | Green (RoHS & no Sb/Br) | CU SN | Level-3-245C-168 HR | 0 to 125 | UA7808C | Samples |
| UA7808CKTTRG3 | ACTIVE | DDPAK/ TO-263 | KTT | 3 | 500 | Green (RoHS & no Sb/Br) | CU SN | Level-3-245C-168 HR | 0 to 125 | UA7808C | Samples |
| UA7808QKTE | OBSOLETE | PFM | KTE | 3 | | TBD | Call TI | Call TI | -40 to 125 | | |
| UA7810-W | ACTIVE | WAFERSALE | YS | 0 | 3952 | TBD | Call TI | Call TI | | | Samples |
| UA7810CKC | OBSOLETE | TO-220 | KC | 3 | | TBD | Call TI | Call TI | 0 to 125 | UA7810C | |
| UA7810CKCE3 | OBSOLETE | TO-220 | KC | 3 | | TBD | Call TI | Call TI | 0 to 125 | UA7810C | |

| Orderable Device | Status (1) | Package Type | Package Drawing | Pins | Package Qty | Eco Plan (2) | Lead/Ball Finish (6) | MSL Peak Temp (3) | Op Temp (°C) | Device Marking (4/5) | Samples |
|------------------|---------------|------------------|--------------------|------|----------------|----------------------------|-------------------------|----------------------|--------------|-------------------------|-------------------------|
| UA7810CKCS | ACTIVE | TO-220 | KCS | 3 | 50 | Pb-Free (RoHS) | CU SN | N / A for Pkg Type | 0 to 125 | UA7810C | Samples |
| UA7810CKCSE3 | ACTIVE | TO-220 | KCS | 3 | 50 | Pb-Free (RoHS) | CU SN | N / A for Pkg Type | 0 to 125 | UA7810C | Samples |
| UA7810CKTER | OBSOLETE | PFM | KTE | 3 | | TBD | Call TI | Call TI | 0 to 125 | UA7810C | |
| UA7810CKTTR | ACTIVE | DDPAK/ TO-263 | KTT | 3 | 500 | Green (RoHS & no Sb/Br) | CU SN | Level-3-245C-168 HR | 0 to 125 | UA7810C | Samples |
| UA7810CKTTRG3 | ACTIVE | DDPAK/ TO-263 | KTT | 3 | 500 | Green (RoHS & no Sb/Br) | CU SN | Level-3-245C-168 HR | 0 to 125 | UA7810C | Samples |
| UA7810QKTE | OBSOLETE | PFM | KTE | 3 | | TBD | Call TI | Call TI | -40 to 125 | | |
| UA7812CKC | OBSOLETE | TO-220 | KC | 3 | | TBD | Call TI | Call TI | 0 to 125 | UA7812C | |
| UA7812CKCE3 | OBSOLETE | TO-220 | KC | 3 | | TBD | Call TI | Call TI | | UA7812C | |
| UA7812CKCS | ACTIVE | TO-220 | KCS | 3 | 50 | Pb-Free (RoHS) | CU SN | N / A for Pkg Type | 0 to 125 | UA7812C | Samples |
| UA7812CKCSE3 | ACTIVE | TO-220 | KCS | 3 | 50 | Pb-Free (RoHS) | CU SN | N / A for Pkg Type | 0 to 125 | UA7812C | Samples |
| UA7812CKCT | ACTIVE | TO-220 | KCT | 3 | 50 | Pb-Free (RoHS) | CU SN | N / A for Pkg Type | 0 to 125 | UA7812C | Samples |
| UA7812CKTER | OBSOLETE | PFM | KTE | 3 | | TBD | Call TI | Call TI | 0 to 125 | UA7812C | |
| UA7812CKTTR | ACTIVE | DDPAK/ TO-263 | KTT | 3 | 500 | Green (RoHS & no Sb/Br) | CU SN | Level-3-245C-168 HR | 0 to 125 | UA7812C | Samples |
| UA7812CKTTRG3 | ACTIVE | DDPAK/ TO-263 | KTT | 3 | 500 | Green (RoHS & no Sb/Br) | CU SN | Level-3-245C-168 HR | 0 to 125 | UA7812C | Samples |
| UA7812QKTE | OBSOLETE | PFM | KTE | 3 | | TBD | Call TI | Call TI | -40 to 125 | | |
| UA7815CKC | OBSOLETE | TO-220 | KC | 3 | | TBD | Call TI | Call TI | 0 to 125 | UA7815C | |
| UA7815CKCS | ACTIVE | TO-220 | KCS | 3 | 50 | Pb-Free (RoHS) | CU SN | N / A for Pkg Type | 0 to 125 | UA7815C | Samples |
| UA7815CKCSE3 | ACTIVE | TO-220 | KCS | 3 | 50 | Pb-Free (RoHS) | CU SN | N / A for Pkg Type | 0 to 125 | UA7815C | Samples |
| UA7815CKCT | ACTIVE | TO-220 | KCT | 3 | 50 | Pb-Free (RoHS) | CU SN | N / A for Pkg Type | 0 to 125 | UA7815C | Samples |
| UA7815CKTER | OBSOLETE | PFM | KTE | 3 | | TBD | Call TI | Call TI | 0 to 125 | UA7815C | |
| UA7815CKTTR | ACTIVE | DDPAK/ TO-263 | KTT | 3 | 500 | Green (RoHS & no Sb/Br) | CU SN | Level-3-245C-168 HR | 0 to 125 | UA7815C | Samples |
| UA7815QKTE | OBSOLETE | PFM | KTE | 3 | | TBD | Call TI | Call TI | | | |

| Orderable Device | Status (1) | Package Type | Package Drawing | Pins | Package Qty | Eco Plan (2) | Lead/Ball Finish (6) | MSL Peak Temp (3) | Op Temp (°C) | Device Marking (4/5) | Samples |
|------------------|---------------|------------------|-----------------|------|-------------|----------------------------|-------------------------|----------------------|--------------|-------------------------|---------|
| UA7824CKC | OBSOLETE | TO-220 | KC | 3 | | TBD | Call TI | Call TI | 0 to 125 | UA7824C | |
| UA7824CKCE3 | OBSOLETE | TO-220 | KC | 3 | | TBD | Call TI | Call TI | 0 to 125 | UA7824C | |
| UA7824CKCS | ACTIVE | TO-220 | KCS | 3 | 50 | Pb-Free (RoHS) | CU SN | N / A for Pkg Type | 0 to 125 | UA7824C | Samples |
| UA7824CKCSE3 | ACTIVE | TO-220 | KCS | 3 | 50 | Pb-Free (RoHS) | CU SN | N / A for Pkg Type | 0 to 125 | UA7824C | Samples |
| UA7824CKTER | OBSOLETE | PFM | KTE | 3 | | TBD | Call TI | Call TI | 0 to 125 | UA7824C | |
| UA7824CKTTR | ACTIVE | DDPAK/ TO-263 | KTT | 3 | 500 | Green (RoHS & no Sb/Br) | CU SN | Level-3-245C-168 HR | 0 to 125 | UA7824C | Samples |
| UA7885CKC | OBSOLETE | TO-220 | KC | 3 | | TBD | Call TI | Call TI | | | |
| UA7885CKTER | OBSOLETE | PFM | KTE | 3 | | TBD | Call TI | Call TI | | | |
| UA7885QKTE | OBSOLETE | PFM | KTE | 3 | | TBD | Call TI | Call TI | | | |

(1) The marketing status values are defined as follows:

ACTIVE: Product device recommended for new designs.

LIFEBUY: TI has announced that the device will be discontinued, and a lifetime-buy period is in effect.

NRND: Not recommended for new designs. Device is in production to support existing customers, but TI does not recommend using this part in a new design.

PREVIEW: Device has been announced but is not in production. Samples may or may not be available.

OBSOLETE: TI has discontinued the production of the device.

(2) Eco Plan - The planned eco-friendly classification: Pb-Free (RoHS), Pb-Free (RoHS Exempt), or Green (RoHS & no Sb/Br) - please check <http://www.ti.com/productcontent> for the latest availability information and additional product content details.

TBD: The Pb-Free/Green conversion plan has not been defined.

Pb-Free (RoHS): TI's terms "Lead-Free" or "Pb-Free" mean semiconductor products that are compatible with the current RoHS requirements for all 6 substances, including the requirement that lead not exceed 0.1% by weight in homogeneous materials. Where designed to be soldered at high temperatures, TI Pb-Free products are suitable for use in specified lead-free processes.

Pb-Free (RoHS Exempt): This component has a RoHS exemption for either 1) lead-based flip-chip solder bumps used between the die and package, or 2) lead-based die adhesive used between the die and leadframe. The component is otherwise considered Pb-Free (RoHS compatible) as defined above.

Green (RoHS & no Sb/Br): TI defines "Green" to mean Pb-Free (RoHS compatible), and free of Bromine (Br) and Antimony (Sb) based flame retardants (Br or Sb do not exceed 0.1% by weight in homogeneous material)

(3) MSL, Peak Temp. - The Moisture Sensitivity Level rating according to the JEDEC industry standard classifications, and peak solder temperature.

(4) There may be additional marking, which relates to the logo, the lot trace code information, or the environmental category on the device.

(5) Multiple Device Markings will be inside parentheses. Only one Device Marking contained in parentheses and separated by a "-" will appear on a device. If a line is indented then it is a continuation of the previous line and the two combined represent the entire Device Marking for that device.

⁽⁶⁾ Lead/Ball Finish - Orderable Devices may have multiple material finish options. Finish options are separated by a vertical ruled line. Lead/Ball Finish values may wrap to two lines if the finish value exceeds the maximum column width.

Important Information and Disclaimer:The information provided on this page represents TI's knowledge and belief as of the date that it is provided. TI bases its knowledge and belief on information provided by third parties, and makes no representation or warranty as to the accuracy of such information. Efforts are underway to better integrate information from third parties. TI has taken and continues to take reasonable steps to provide representative and accurate information but may not have conducted destructive testing or chemical analysis on incoming materials and chemicals. TI and TI suppliers consider certain information to be proprietary, and thus CAS numbers and other limited information may not be available for release.

In no event shall TI's liability arising out of such information exceed the total purchase price of the TI part(s) at issue in this document sold by TI to Customer on an annual basis.

TAPE AND REEL INFORMATION

QUADRANT ASSIGNMENTS FOR PIN 1 ORIENTATION IN TAPE


*All dimensions are nominal

| Device | Package Type | Package Drawing | Pins | SPQ | Reel Diameter (mm) | Reel Width W1 (mm) | A0 (mm) | B0 (mm) | K0 (mm) | P1 (mm) | W (mm) | Pin1 Quadrant |
|-------------|------------------|-----------------|------|-----|--------------------|--------------------|---------|---------|---------|---------|--------|---------------|
| UA7805CKTTR | DDPAK/ TO-263 | KTT | 3 | 500 | 330.0 | 24.4 | 10.8 | 16.3 | 5.11 | 16.0 | 24.0 | Q2 |
| UA7808CKTTR | DDPAK/ TO-263 | KTT | 3 | 500 | 330.0 | 24.4 | 10.8 | 16.3 | 5.11 | 16.0 | 24.0 | Q2 |
| UA7810CKTTR | DDPAK/ TO-263 | KTT | 3 | 500 | 330.0 | 24.4 | 10.8 | 16.3 | 5.11 | 16.0 | 24.0 | Q2 |
| UA7812CKTTR | DDPAK/ TO-263 | KTT | 3 | 500 | 330.0 | 24.4 | 10.8 | 16.3 | 5.11 | 16.0 | 24.0 | Q2 |
| UA7815CKTTR | DDPAK/ TO-263 | KTT | 3 | 500 | 330.0 | 24.4 | 10.8 | 16.3 | 5.11 | 16.0 | 24.0 | Q2 |
| UA7824CKTTR | DDPAK/ TO-263 | KTT | 3 | 500 | 330.0 | 24.4 | 10.8 | 16.3 | 5.11 | 16.0 | 24.0 | Q2 |

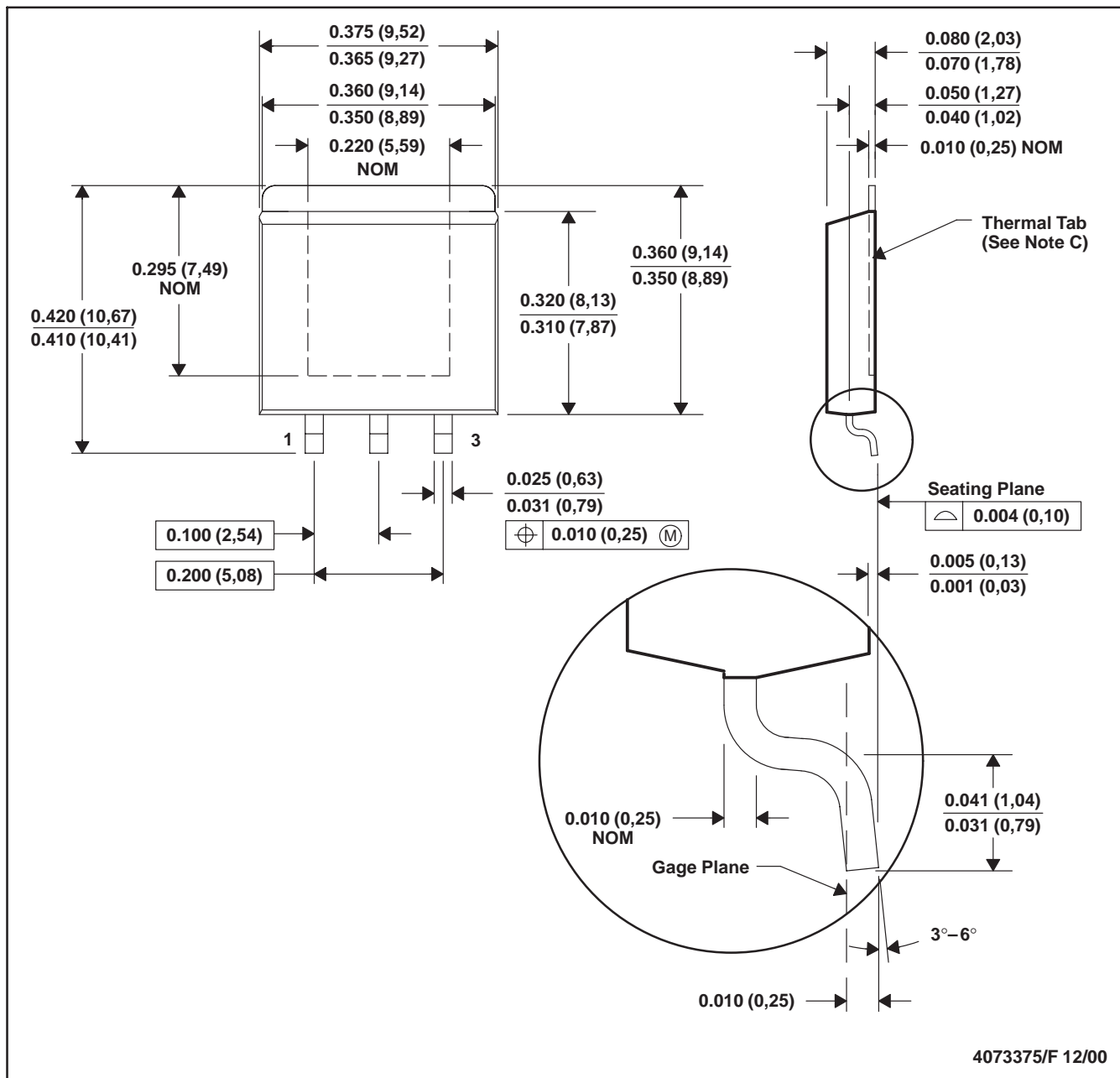
TAPE AND REEL BOX DIMENSIONS


*All dimensions are nominal

| Device | Package Type | Package Drawing | Pins | SPQ | Length (mm) | Width (mm) | Height (mm) |
|-------------|--------------|-----------------|------|-----|-------------|------------|-------------|
| UA7805CKTTR | DDPAK/TO-263 | KTT | 3 | 500 | 340.0 | 340.0 | 38.0 |
| UA7808CKTTR | DDPAK/TO-263 | KTT | 3 | 500 | 340.0 | 340.0 | 38.0 |
| UA7810CKTTR | DDPAK/TO-263 | KTT | 3 | 500 | 340.0 | 340.0 | 38.0 |
| UA7812CKTTR | DDPAK/TO-263 | KTT | 3 | 500 | 340.0 | 340.0 | 38.0 |
| UA7815CKTTR | DDPAK/TO-263 | KTT | 3 | 500 | 340.0 | 340.0 | 38.0 |
| UA7824CKTTR | DDPAK/TO-263 | KTT | 3 | 500 | 340.0 | 340.0 | 38.0 |

KTE (R-PSFM-G3)

PowerFLEX™ PLASTIC FLANGE-MOUNT



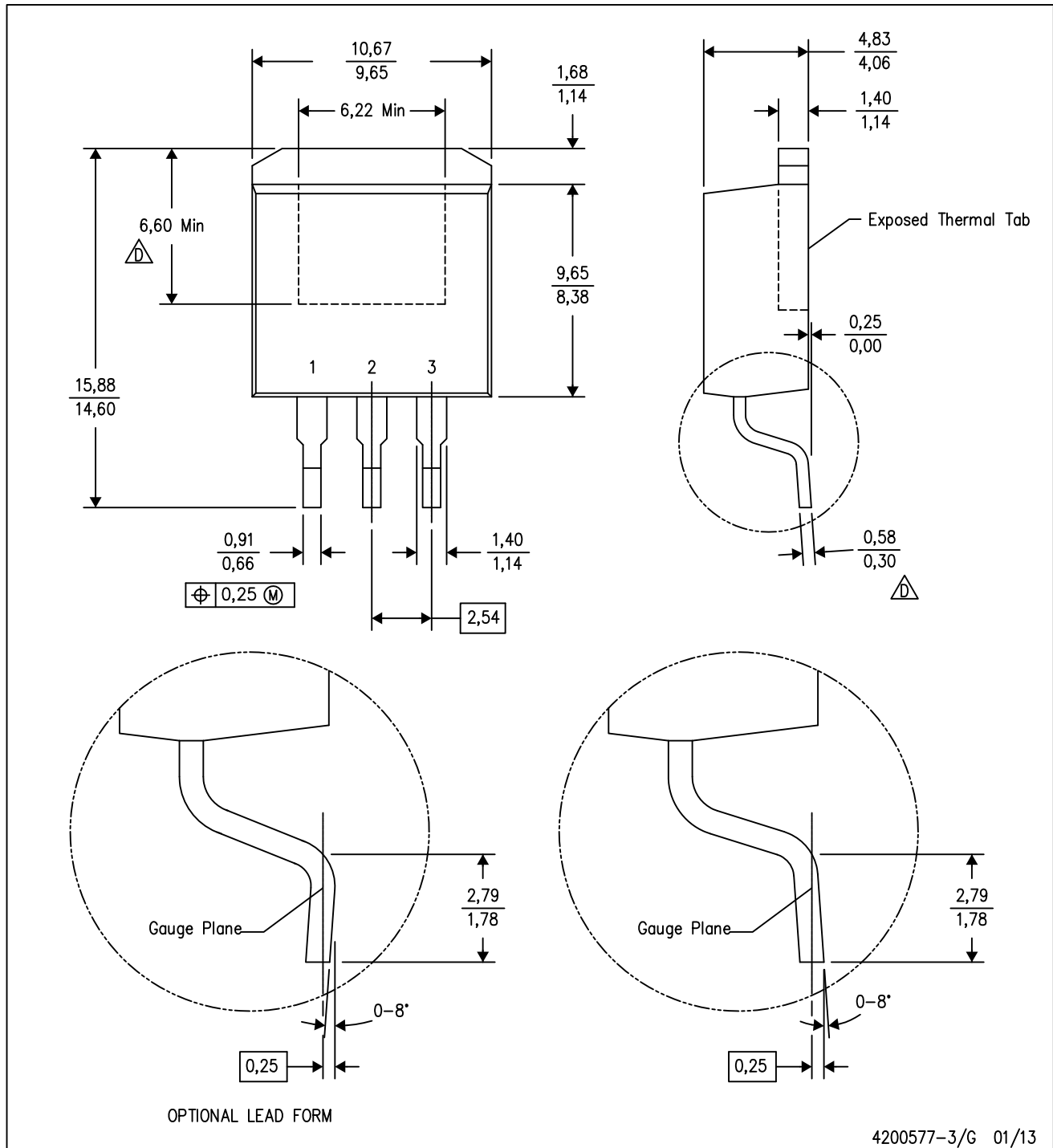
- NOTES: A. All linear dimensions are in inches (millimeters).
 B. This drawing is subject to change without notice.
 C. The center lead is in electrical contact with the thermal tab.
 D. Dimensions do not include mold protrusions, not to exceed 0.006 (0,15).
 E. Falls within JEDEC MO-169

PowerFLEX is a trademark of Texas Instruments.



KTT (R-PSFM-G3)

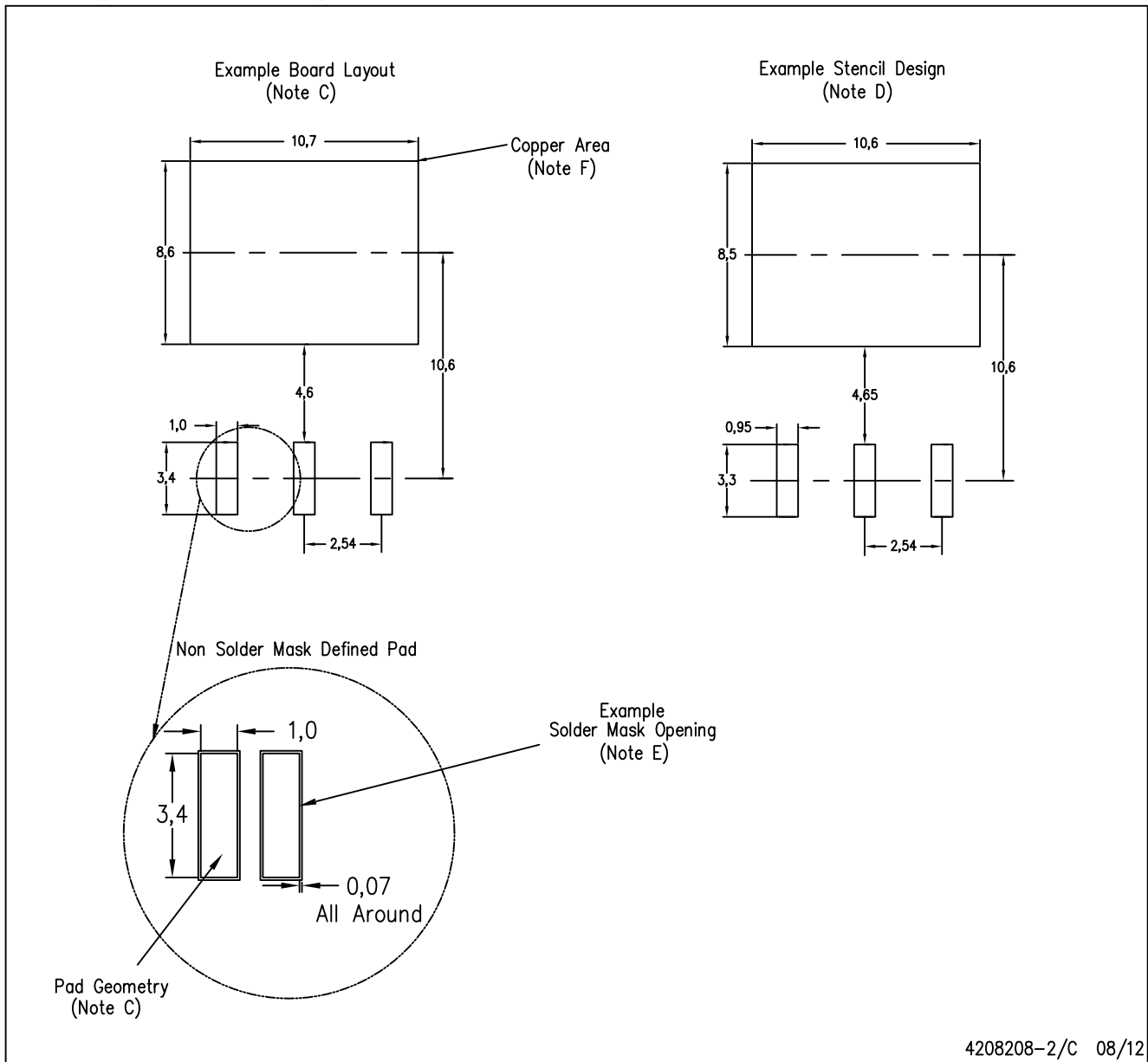
PLASTIC FLANGE-MOUNT PACKAGE



- NOTES:
- A. All linear dimensions are in millimeters.
 - B. This drawing is subject to change without notice.
 - C. Body dimensions do not include mold flash or protrusion. Mold flash or protrusion not to exceed 0.005 (0,13) per side.
- △ Falls within JEDEC TO-263 variation AA, except minimum lead thickness and minimum exposed pad length.

KTT (R-PSFM-G3)

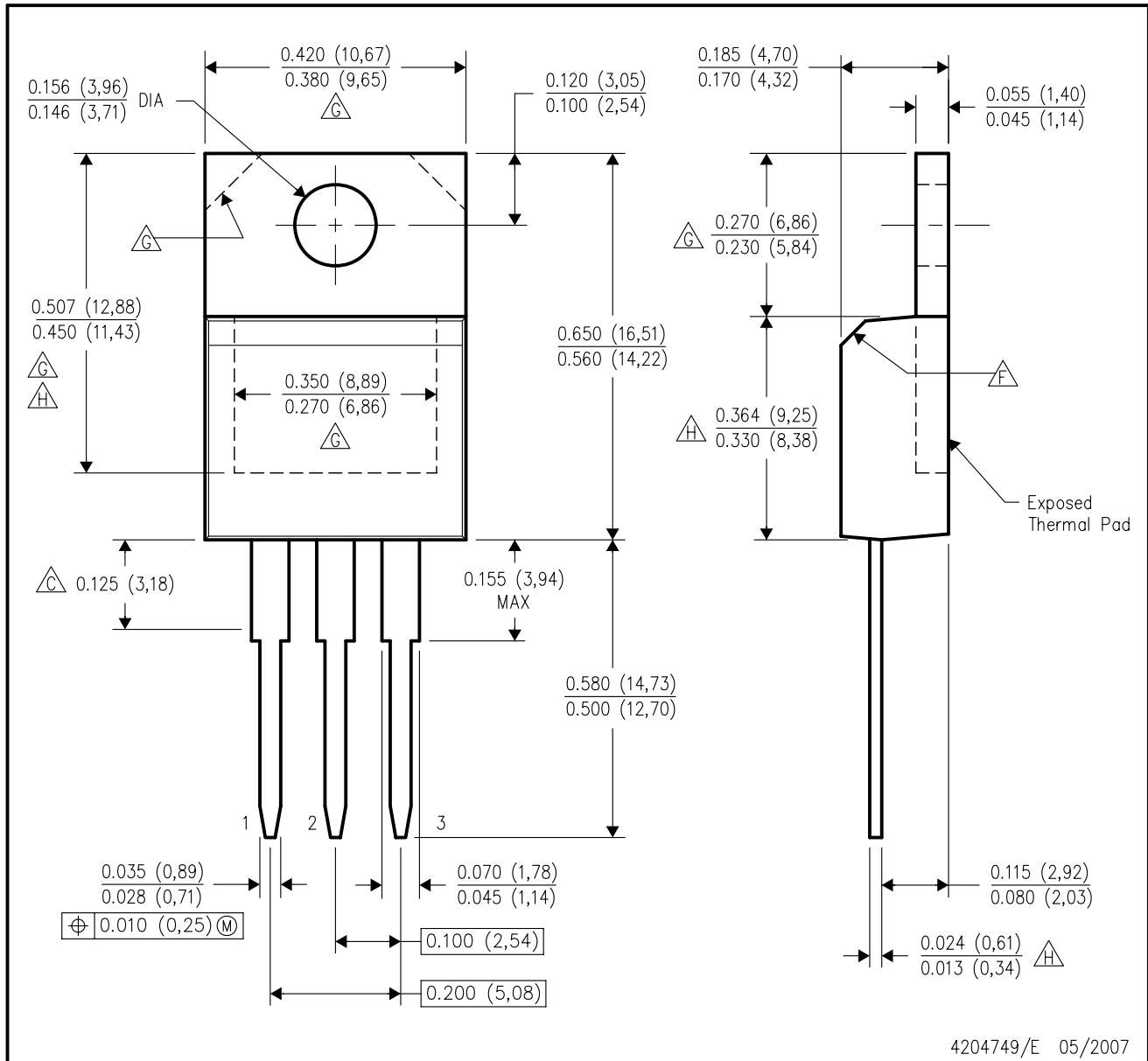
PLASTIC FLANGE-MOUNT PACKAGE



- NOTES:
- All linear dimensions are in millimeters.
 - This drawing is subject to change without notice.
 - Publication IPC-SM-782 is recommended for alternate designs.
 - Laser cutting apertures with trapezoidal walls and also rounding corners will offer better paste release. Customers should contact their board assembly site for stencil design recommendations. Refer to IPC-7525.
 - Customers should contact their board fabrication site for solder mask tolerances between and around signal pads.
 - This package is designed to be soldered to a thermal pad on the board. Refer to the Product Datasheet for specific thermal information, via requirements, and recommended thermal pad size. For thermal pad sizes larger than shown a solder mask defined pad is recommended in order to maintain the solderable pad geometry while increasing copper area.

KCS (R-PSFM-T3)

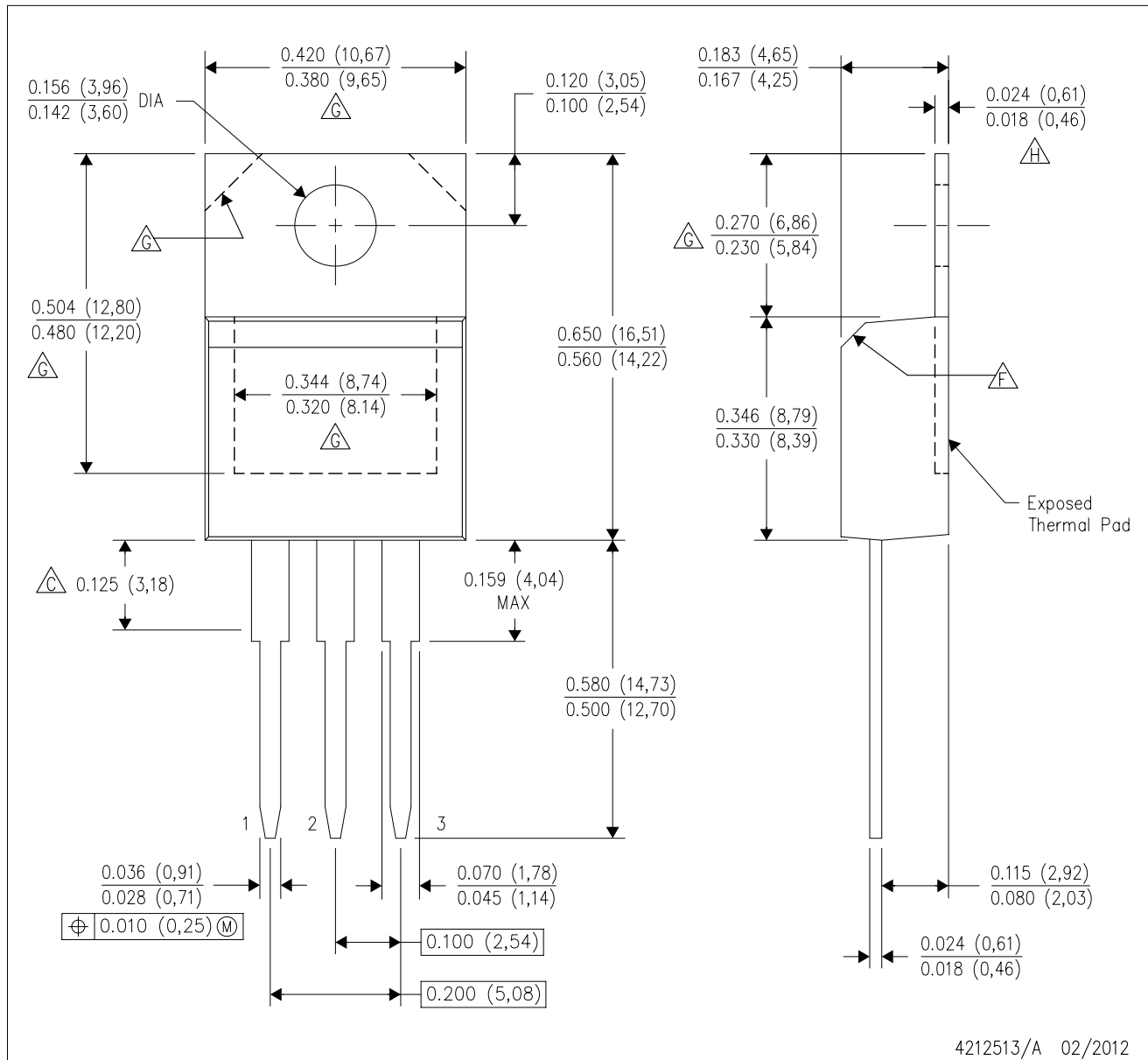
PLASTIC FLANGE-MOUNT PACKAGE



- NOTES:
- A. All linear dimensions are in inches (millimeters).
 - B. This drawing is subject to change without notice.
 - C. Lead dimensions are not controlled within this area.
 - D. All lead dimensions apply before solder dip.
 - E. The center lead is in electrical contact with the mounting tab.
 - F. The chamfer is optional.
 - G. Thermal pad contour optional within these dimensions.
 - H. Falls within JEDEC TO-220 variation AB, except minimum lead thickness, minimum exposed pad length, and maximum body length.

KCT (R-PSFM-T3)

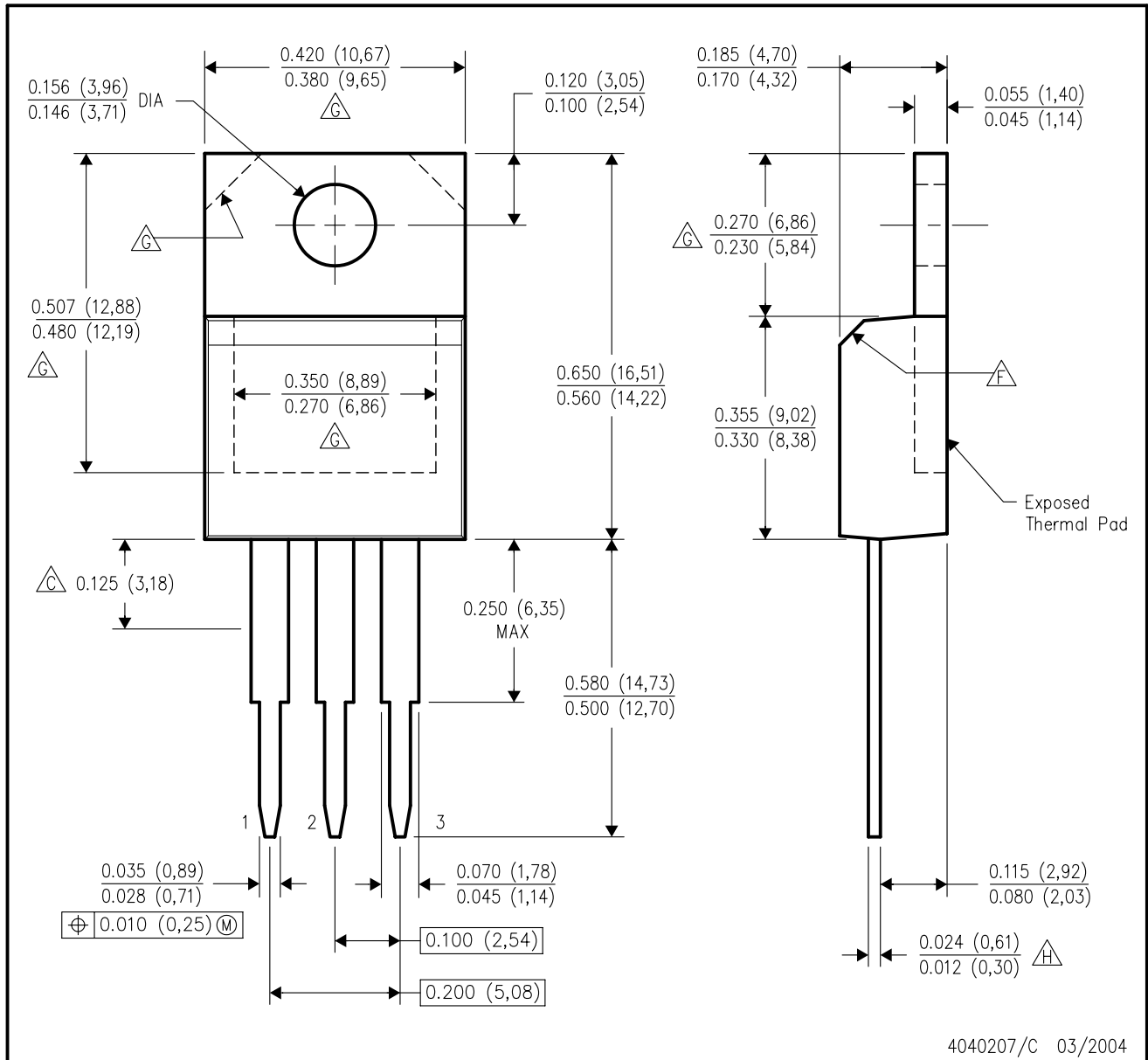
PLASTIC FLANGE-MOUNT PACKAGE



- NOTES:
- A. All linear dimensions are in inches (millimeters).
 - B. This drawing is subject to change without notice.
 - △ Lead dimensions are not controlled within this area.
 - D. All lead dimensions apply before solder dip.
 - E. The center lead is in electrical contact with the mounting tab.
 - △ The chamfer is optional.
 - △ Thermal pad contour optional within these dimensions.
 - △ Falls within JEDEC TO-220 variation AB, except minimum tab thickness.

KC (R-PSFM-T3)

PLASTIC FLANGE-MOUNT PACKAGE



- NOTES:
- A. All linear dimensions are in inches (millimeters).
 - B. This drawing is subject to change without notice.
 - C. Lead dimensions are not controlled within this area.
 - D. All lead dimensions apply before solder dip.
 - E. The center lead is in electrical contact with the mounting tab.
 - F. The chamfer is optional.
 - G. Thermal pad contour optional within these dimensions.
 - H. Falls within JEDEC TO-220 variation AB, except minimum lead thickness.

IMPORTANT NOTICE

Texas Instruments Incorporated and its subsidiaries (TI) reserve the right to make corrections, enhancements, improvements and other changes to its semiconductor products and services per JESD46, latest issue, and to discontinue any product or service per JESD48, latest issue. Buyers should obtain the latest relevant information before placing orders and should verify that such information is current and complete. All semiconductor products (also referred to herein as "components") are sold subject to TI's terms and conditions of sale supplied at the time of order acknowledgment.

TI warrants performance of its components to the specifications applicable at the time of sale, in accordance with the warranty in TI's terms and conditions of sale of semiconductor products. Testing and other quality control techniques are used to the extent TI deems necessary to support this warranty. Except where mandated by applicable law, testing of all parameters of each component is not necessarily performed.

TI assumes no liability for applications assistance or the design of Buyers' products. Buyers are responsible for their products and applications using TI components. To minimize the risks associated with Buyers' products and applications, Buyers should provide adequate design and operating safeguards.

TI does not warrant or represent that any license, either express or implied, is granted under any patent right, copyright, mask work right, or other intellectual property right relating to any combination, machine, or process in which TI components or services are used. Information published by TI regarding third-party products or services does not constitute a license to use such products or services or a warranty or endorsement thereof. Use of such information may require a license from a third party under the patents or other intellectual property of the third party, or a license from TI under the patents or other intellectual property of TI.

Reproduction of significant portions of TI information in TI data books or data sheets is permissible only if reproduction is without alteration and is accompanied by all associated warranties, conditions, limitations, and notices. TI is not responsible or liable for such altered documentation. Information of third parties may be subject to additional restrictions.

Resale of TI components or services with statements different from or beyond the parameters stated by TI for that component or service voids all express and any implied warranties for the associated TI component or service and is an unfair and deceptive business practice. TI is not responsible or liable for any such statements.

Buyer acknowledges and agrees that it is solely responsible for compliance with all legal, regulatory and safety-related requirements concerning its products, and any use of TI components in its applications, notwithstanding any applications-related information or support that may be provided by TI. Buyer represents and agrees that it has all the necessary expertise to create and implement safeguards which anticipate dangerous consequences of failures, monitor failures and their consequences, lessen the likelihood of failures that might cause harm and take appropriate remedial actions. Buyer will fully indemnify TI and its representatives against any damages arising out of the use of any TI components in safety-critical applications.

In some cases, TI components may be promoted specifically to facilitate safety-related applications. With such components, TI's goal is to help enable customers to design and create their own end-product solutions that meet applicable functional safety standards and requirements. Nonetheless, such components are subject to these terms.

No TI components are authorized for use in FDA Class III (or similar life-critical medical equipment) unless authorized officers of the parties have executed a special agreement specifically governing such use.

Only those TI components which TI has specifically designated as military grade or "enhanced plastic" are designed and intended for use in military/aerospace applications or environments. Buyer acknowledges and agrees that any military or aerospace use of TI components which have **not** been so designated is solely at the Buyer's risk, and that Buyer is solely responsible for compliance with all legal and regulatory requirements in connection with such use.

TI has specifically designated certain components as meeting ISO/TS16949 requirements, mainly for automotive use. In any case of use of non-designated products, TI will not be responsible for any failure to meet ISO/TS16949.

Products

| | |
|------------------------------|--|
| Audio | www.ti.com/audio |
| Amplifiers | amplifier.ti.com |
| Data Converters | dataconverter.ti.com |
| DLP® Products | www.dlp.com |
| DSP | dsp.ti.com |
| Clocks and Timers | www.ti.com/clocks |
| Interface | interface.ti.com |
| Logic | logic.ti.com |
| Power Mgmt | power.ti.com |
| Microcontrollers | microcontroller.ti.com |
| RFID | www.ti-rfid.com |
| OMAP Applications Processors | www.ti.com/omap |
| Wireless Connectivity | www.ti.com/wirelessconnectivity |

Applications

| | |
|-------------------------------|--|
| Automotive and Transportation | www.ti.com/automotive |
| Communications and Telecom | www.ti.com/communications |
| Computers and Peripherals | www.ti.com/computers |
| Consumer Electronics | www.ti.com/consumer-apps |
| Energy and Lighting | www.ti.com/energy |
| Industrial | www.ti.com/industrial |
| Medical | www.ti.com/medical |
| Security | www.ti.com/security |
| Space, Avionics and Defense | www.ti.com/space-avionics-defense |
| Video and Imaging | www.ti.com/video |

TI E2E Community

e2e.ti.com