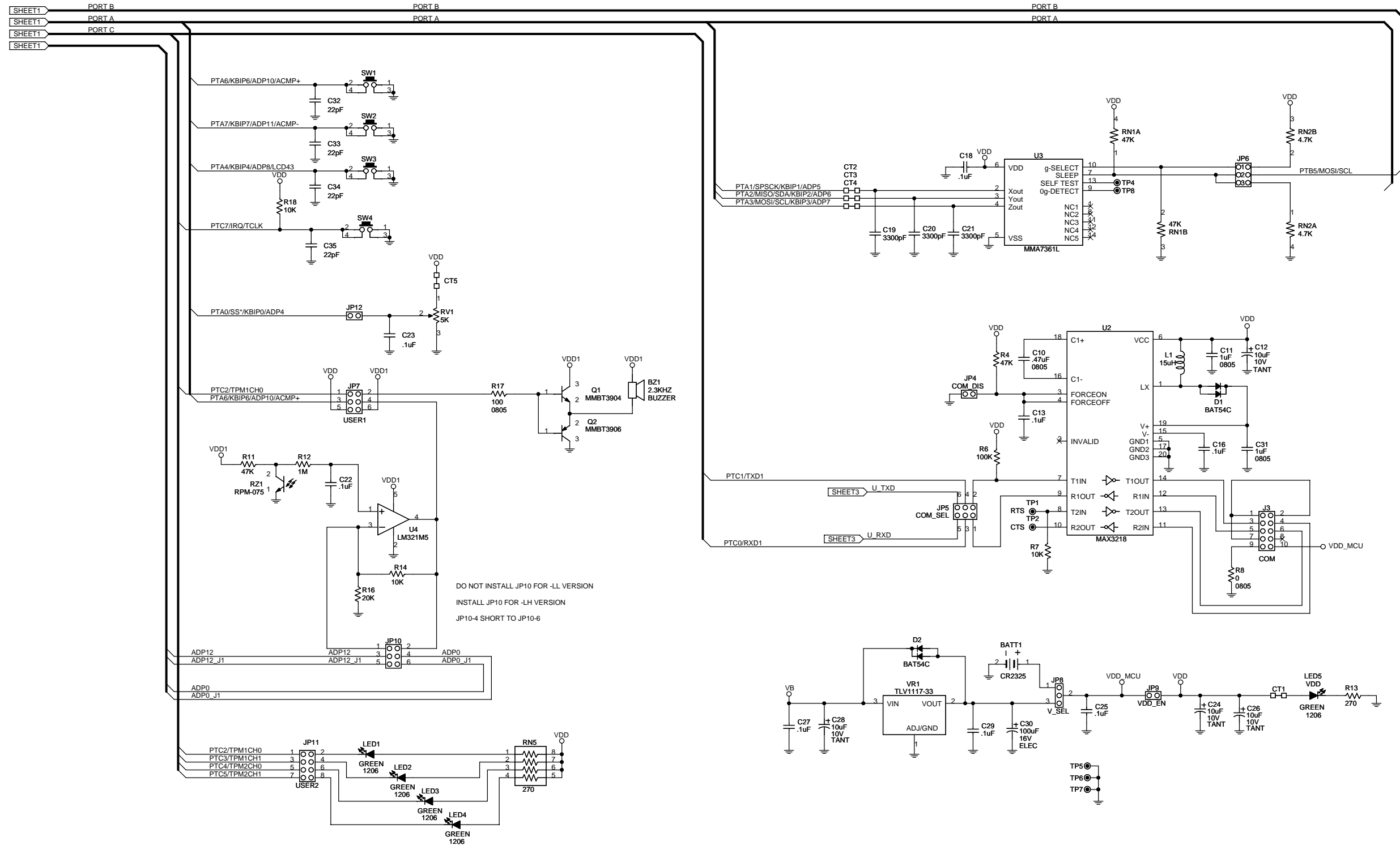


NOTE:

1. ALL RESISTORS AND CAPACITORS ARE 0603 UNLESS OTHERWISE INDICATED
2. TANTALUM CAPACITORS SMA UNLESS OTHERWISE INDICATED

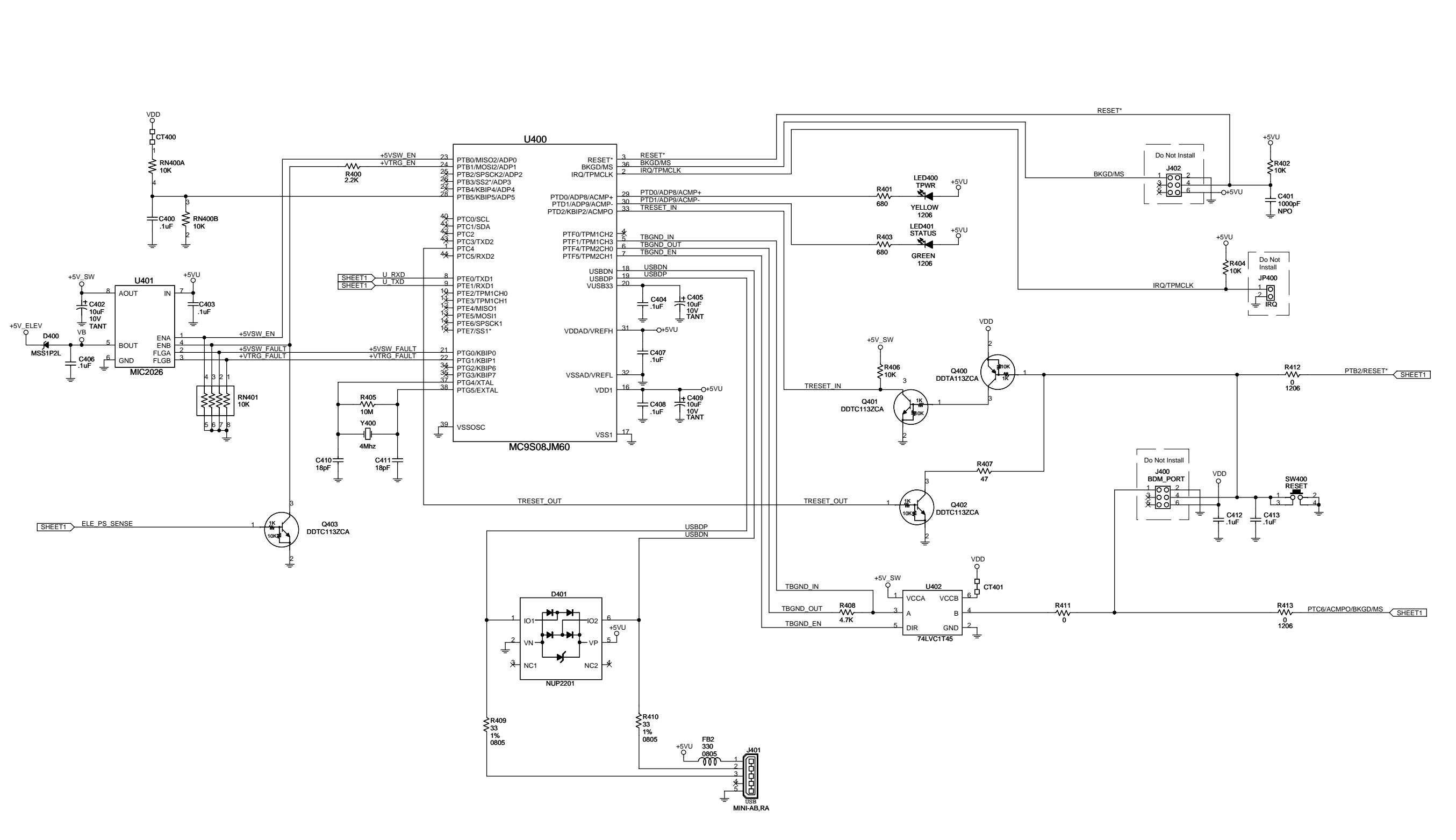
Approvals	Date
Drawn GLM	032510
Checked DSR	032510
Finish	
Title	
TWR-MC9S08LL/LH AXM-0500	
Size C	Document Number
	DOC-0500-030
Date: Thursday, April 01, 2010	Sheet 1 of 3



**NOTE:**

1. ALL RESISTORS AND CAPACITORS ARE 0603 UNLESS OTHERWISE INDICATED
2. TANTALUM CAPACITORS SMA UNLESS OTHERWISE INDICATED

		<b>TWR-MC9S08LL/LH AXM-0500</b>	
Approvals	Date	Title	
Drawn GLM	032510	Size C	Document Number
Checked DSR	032510	<b>DOC-0500-030</b>	
Finish		Date: Thursday, April 01, 2010	Sheet 2 of 3



- NOTE:
1. ALL RESISTORS AND CAPACITORS ARE 0603 UNLESS OTHERWISE INDICATED
  2. TANTALUM CAPACITORS SMA UNLESS OTHERWISE INDICATED

		<b>TWR-MC9S08LL/LH AXM-0500</b>																	
<table border="1"> <tr> <th>Approvals</th> <th>Date</th> </tr> <tr> <td>Drawn GLM</td> <td>032510</td> </tr> <tr> <td>Checked DSR</td> <td>032510</td> </tr> <tr> <td>Finish</td> <td></td> </tr> </table>	Approvals	Date	Drawn GLM	032510	Checked DSR	032510	Finish		<table border="1"> <tr> <th>Title</th> <th>Document Number</th> <th>Rev</th> </tr> <tr> <td>TWR-MC9S08LL/LH AXM-0500</td> <td>DOC-0500-030</td> <td>B</td> </tr> </table>	Title	Document Number	Rev	TWR-MC9S08LL/LH AXM-0500	DOC-0500-030	B	<table border="1"> <tr> <td>Date: Thursday, April 01, 2010</td> <td>Sheet 3 of 3</td> </tr> </table>		Date: Thursday, April 01, 2010	Sheet 3 of 3
Approvals	Date																		
Drawn GLM	032510																		
Checked DSR	032510																		
Finish																			
Title	Document Number	Rev																	
TWR-MC9S08LL/LH AXM-0500	DOC-0500-030	B																	
Date: Thursday, April 01, 2010	Sheet 3 of 3																		