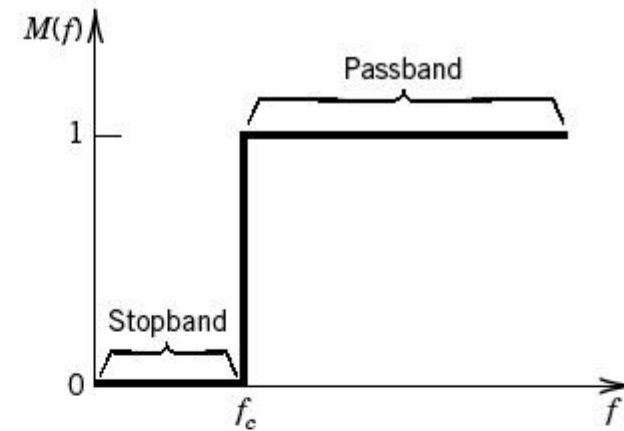
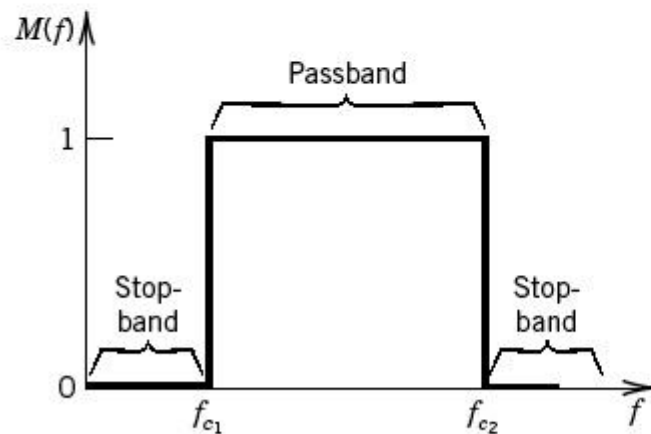


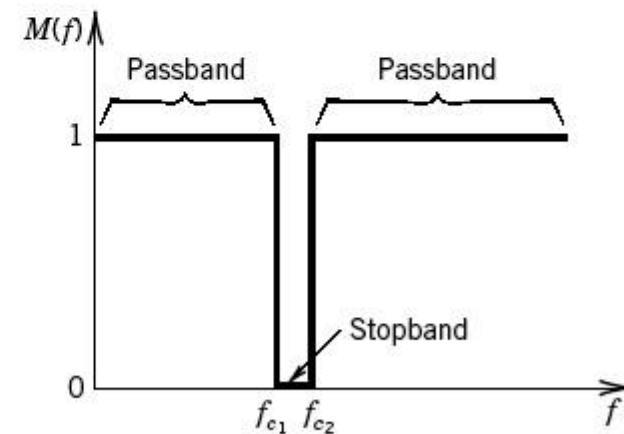
(a) Low-pass filter



(b) High-pass filter



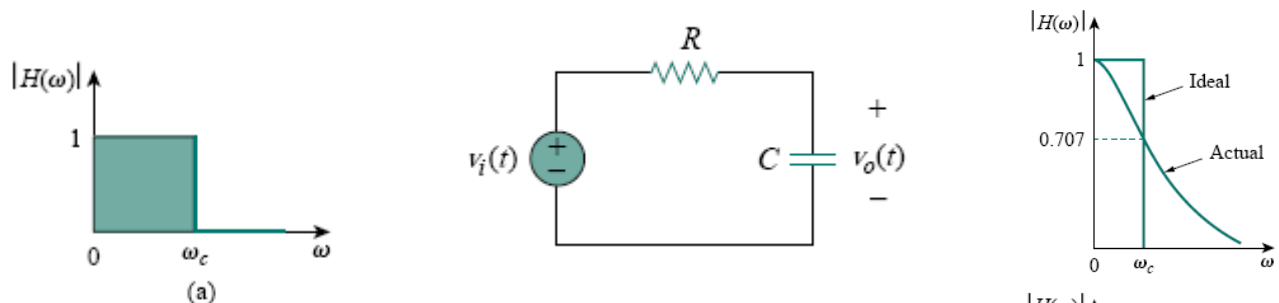
(c) Bandpass filter



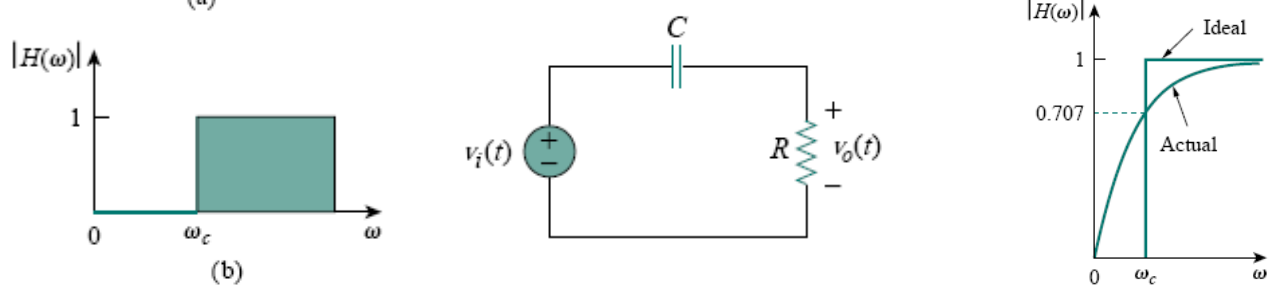
(d) Notch filter

Figure 6.27 Ideal filter characteristics.

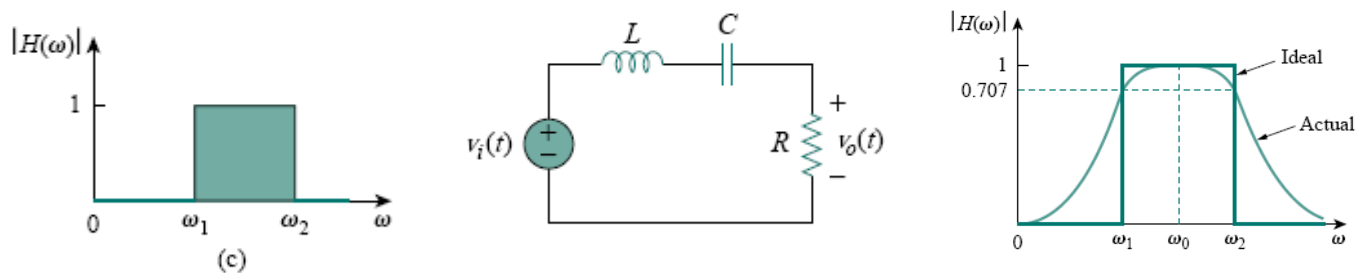
Passa-baixa



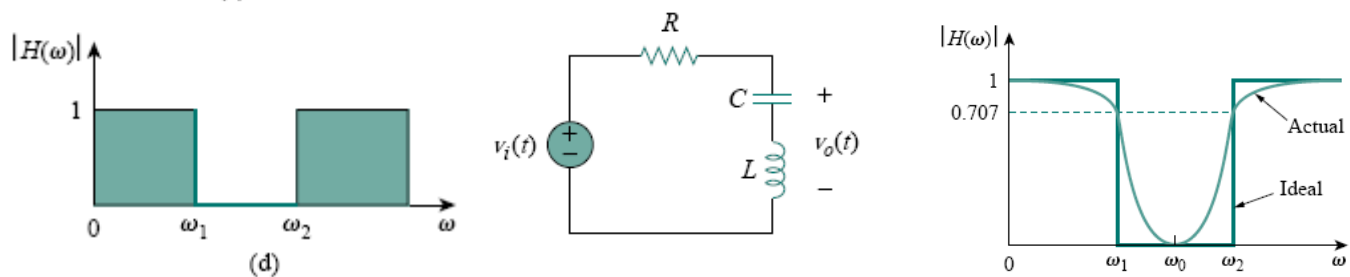
Passa-alta



Passa-banda



Rejeita-banda



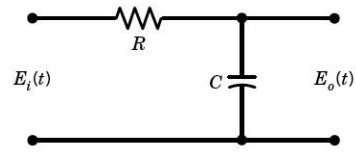


Figure 6.29 Low-pass RC Butterworth filter circuit.

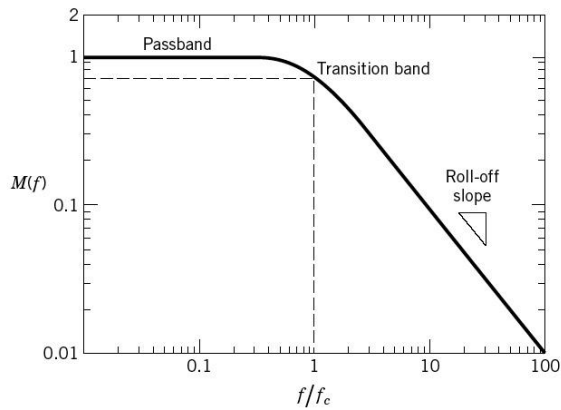


Figure 6.28 Magnitude ratio for a low-pass Butterworth filter.

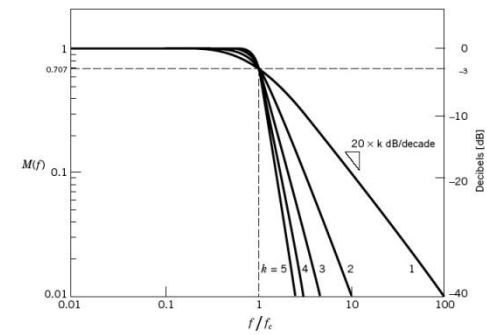


Figure 6.31 Magnitude characteristics for Butterworth low-pass filters of various stages.

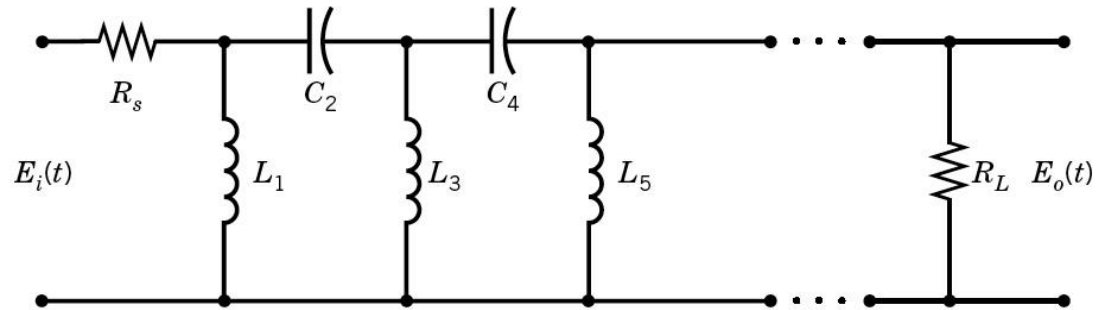
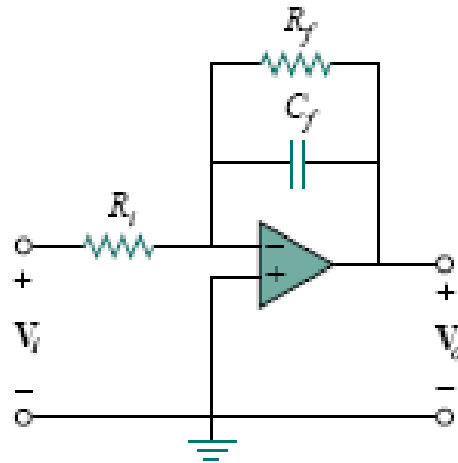
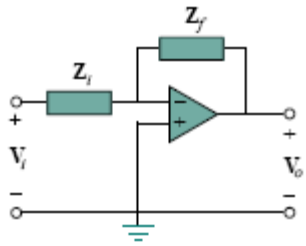
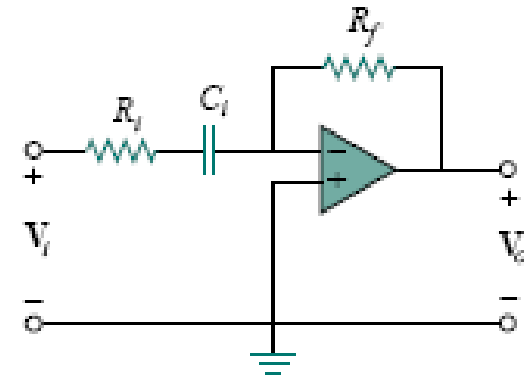


Figure 6.32 Multistage high-pass LC filter.

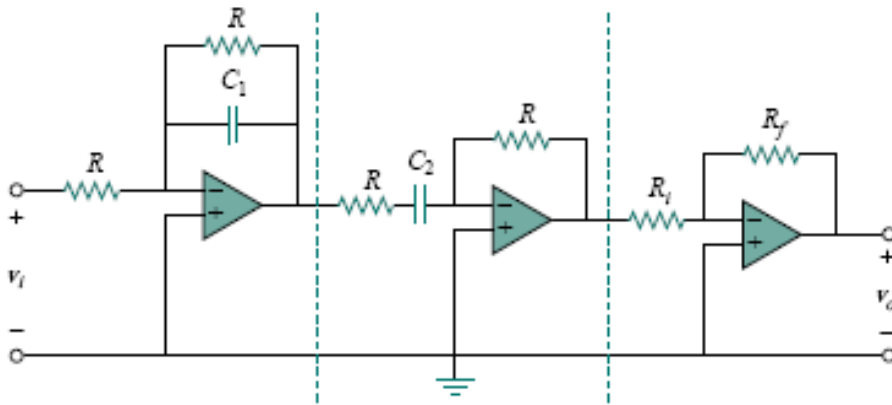
Filtros



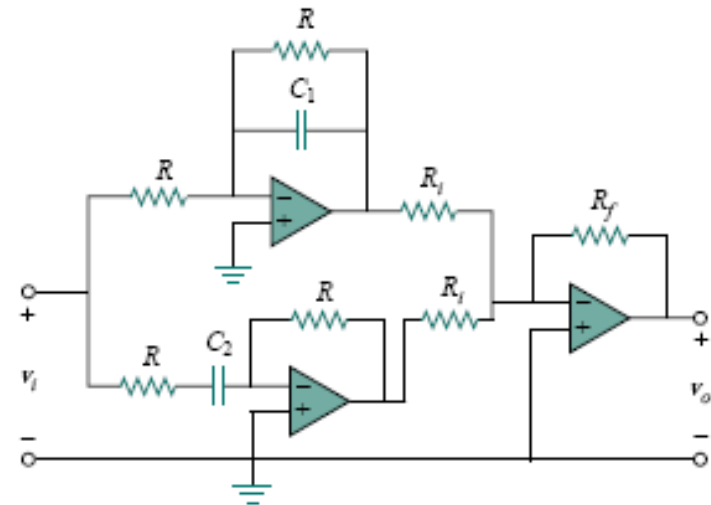
Passa-baixa



Passa-alta



Passa-banda



Rejeita-banda

Respostas em frequência afetam amplitude e fase