

# High Performance Computing

**By:**

Charles Severance

Kevin Dowd



# High Performance Computing

**By:**

Charles Severance

Kevin Dowd

**Online:**

< <http://cnx.org/content/col11136/1.5/> >

**CONNECTIONS**

Rice University, Houston, Texas

This selection and arrangement of content as a collection is copyrighted by Charles Severance, Kevin Dowd. It is licensed under the Creative Commons Attribution 3.0 license (<http://creativecommons.org/licenses/by/3.0/>).

Collection structure revised: August 25, 2010

PDF generated: October 29, 2012

For copyright and attribution information for the modules contained in this collection, see p. 271.

# Table of Contents

<b>Introduction to the Connexions Edition</b> .....	1
<b>Introduction to High Performance Computing</b> .....	3
<b>1 Modern Computer Architectures</b>	
1.1 Memory .....	7
1.2 Floating-Point Numbers .....	29
<b>2 Programming and Tuning Software</b>	
2.1 What a Compiler Does .....	47
2.2 Timing and Profiling .....	62
2.3 Eliminating Clutter .....	85
2.4 Loop Optimizations .....	101
<b>3 Shared-Memory Parallel Processors</b>	
3.1 Understanding Parallelism .....	123
3.2 Shared-Memory Multiprocessors .....	145
3.3 Programming Shared-Memory Multiprocessors .....	170
<b>4 Scalable Parallel Processing</b>	
4.1 Language Support for Performance .....	191
4.2 Message-Passing Environments .....	213
<b>5 Appendixes</b>	
5.1 Appendix C: High Performance Microprocessors .....	239
5.2 Appendix B: Looking at Assembly Language .....	256
<b>Index</b> .....	267
<b>Attributions</b> .....	271



# Introduction to the Connexions Edition<sup>1</sup>

## Introduction to the Connexions Edition

The purpose of this book has always been to teach new programmers and scientists about the basics of High Performance Computing. Too many parallel and high performance computing books focus on the architecture, theory and computer science surrounding HPC. I wanted this book to speak to the practicing Chemistry student, Physicist, or Biologist who need to write and run their programs as part of their research. I was using the first edition of the book written by Kevin Dowd in 1996 when I found out that the book was going out of print. I immediately sent an angry letter to O'Reilly customer support imploring them to keep the book going as it was the only book of its kind in the marketplace. That complaint letter triggered several conversations which led to me becoming the author of the second edition. In true "open-source" fashion - since I complained about it - I got to fix it. During Fall 1997, while I was using the book to teach my HPC course, I re-wrote the book one chapter at a time, fueled by multiple late-night lattes and the fear of not having anything ready for the weeks lecture.

The second edition came out in July 1998, and was pretty well received. I got many good comments from teachers and scientists who felt that the book did a good job of teaching the practitioner - which made me very happy.

In 1998, this book was published at a crossroads in the history of High Performance Computing. In the late 1990's there was still a question as to whether the large vector supercomputers with their specialized memory systems could resist the assault from the increasing clock rates of the microprocessors. Also in the later 1990's there was a question whether the fast, expensive, and power-hungry RISC architectures would win over the commodity Intel microprocessors and commodity memory technologies.

By 2003, the market had decided that the commodity microprocessor was king - its performance and the performance of commodity memory subsystems kept increasing so rapidly. By 2006, the Intel architecture had eliminated all the RISC architecture processors by greatly increasing clock rate and truly winning the increasingly important Floating Point Operations per Watt competition. Once users figured out how to effectively use loosely coupled processors, overall cost and improving energy consumption of commodity microprocessors became overriding factors in the market place.

These changes led to the book becoming less and less relevant to the common use cases in the HPC field and led to the book going out of print - much to the chagrin of its small but devoted fan base. I was reduced to buying used copies of the book from Amazon in order to have a few copies laying around the office to give as gifts to unsuspecting visitors.

Thanks to the forward-looking approach of O'Reilly and Associates to use Founder's Copyright and releasing out-of-print books under Creative Commons Attribution, this book once again rises from the ashes like the proverbial Phoenix. By bringing this book to Connexions and publishing it under a Creative Commons Attribution license we are insuring that the book is never again obsolete. We can take the core elements of the book which are still relevant and a new community of authors can add to and adapt the book as needed over time.

Publishing through Connexions also keeps the cost of printed books very low and so it will be a wise choice as a textbook for college courses in High Performance Computing. The Creative Commons Licensing

---

<sup>1</sup>This content is available online at <<http://cnx.org/content/m32709/1.1/>>.

and the ability to print locally can make this book available in any country and any school in the world. Like Wikipedia, those of us who use the book can become the volunteers who will help improve the book and become co-authors of the book.

I need to thank Kevin Dowd who wrote the first edition and graciously let me alter it from cover to cover in the second edition. Mike Loukides of O'Reilly was the editor of both the first and second editions and we talk from time to time about a possible future edition of the book. Mike was also instrumental in helping to release the book from O'Reilly under Creative Commons Attribution. The team at Connexions has been wonderful to work with. We share a passion for High Performance Computing and new forms of publishing so that the knowledge reaches as many people as possible. I want to thank Jan Odegard and Kathi Fletcher for encouraging, supporting and helping me through the re-publishing process. Daniel Williamson did an amazing job of converting the materials from the O'Reilly formats to the Connexions formats.

I truly look forward to seeing how far this book will go now that we can have an unlimited number of co-authors to invest and then use the book. I look forward to work with you all.

Charles Severance - November 12, 2009



# Introduction to High Performance Computing<sup>2</sup>

## Why Worry About Performance?

Over the last decade, the definition of what is called high performance computing has changed dramatically. In 1988, an article appeared in the Wall Street Journal titled “Attack of the Killer Micros” that described how computing systems made up of many small inexpensive processors would soon make large supercomputers obsolete. At that time, a “personal computer” costing \$3000 could perform 0.25 million floating-point operations per second, a “workstation” costing \$20,000 could perform 3 million floating-point operations, and a supercomputer costing \$3 million could perform 100 million floating-point operations per second. Therefore, why couldn’t we simply connect 400 personal computers together to achieve the same performance of a supercomputer for \$1.2 million?

This vision has come true in some ways, but not in the way the original proponents of the “killer micro” theory envisioned. Instead, the microprocessor performance has relentlessly gained on the supercomputer performance. This has occurred for two reasons. First, there was much more technology “headroom” for improving performance in the personal computer area, whereas the supercomputers of the late 1980s were pushing the performance envelope. Also, once the supercomputer companies broke through some technical barrier, the microprocessor companies could quickly adopt the successful elements of the supercomputer designs a few short years later. The second and perhaps more important factor was the emergence of a thriving personal and business computer market with ever-increasing performance demands. Computer usage such as 3D graphics, graphical user interfaces, multimedia, and games were the driving factors in this market. With such a large market, available research dollars poured into developing inexpensive high performance processors for the home market. The result of this trend toward faster smaller computers is directly evident as former supercomputer manufacturers are being purchased by workstation companies (Silicon Graphics purchased Cray, and Hewlett-Packard purchased Convex in 1996).

As a result nearly every person with computer access has some “high performance” processing. As the peak speeds of these new personal computers increase, these computers encounter all the performance challenges typically found on supercomputers.

While not all users of personal workstations need to know the intimate details of high performance computing, those who program these systems for maximum performance will benefit from an understanding of the strengths and weaknesses of these newest high performance systems.

## Scope of High Performance Computing

High performance computing runs a broad range of systems, from our desktop computers through large parallel processing systems. Because most high performance systems are based on *reduced instruction set computer* (RISC) processors, many techniques learned on one type of system transfer to the other systems.

---

<sup>2</sup>This content is available online at <<http://cnx.org/content/m32676/1.3/>>.

High performance RISC processors are designed to be easily inserted into a multiple-processor system with 2 to 64 CPUs accessing a single memory using *symmetric multi processing* (SMP). Programming multiple processors to solve a single problem adds its own set of additional challenges for the programmer. The programmer must be aware of how multiple processors operate together, and how work can be efficiently divided among those processors.

Even though each processor is very powerful, and small numbers of processors can be put into a single enclosure, often there will be applications that are so large they need to span multiple enclosures. In order to cooperate to solve the larger application, these enclosures are linked with a high-speed network to function as a *network of workstations* (NOW). A NOW can be used individually through a batch queuing system or can be used as a large multicomputer using a message passing tool such as *parallel virtual machine* (PVM) or *message-passing interface* (MPI).

For the largest problems with more data interactions and those users with compute budgets in the millions of dollars, there is still the top end of the high performance computing spectrum, the scalable parallel processing systems with hundreds to thousands of processors. These systems come in two flavors. One type is programmed using message passing. Instead of using a standard local area network, these systems are connected using a proprietary, scalable, high-bandwidth, low-latency interconnect (how is that for marketing speak?). Because of the high performance interconnect, these systems can scale to the thousands of processors while keeping the time spent (wasted) performing overhead communications to a minimum.

The second type of large parallel processing system is the *scalable non-uniform memory access* (NUMA) systems. These systems also use a high performance inter-connect to connect the processors, but instead of exchanging messages, these systems use the interconnect to implement a distributed shared memory that can be accessed from any processor using a load/store paradigm. This is similar to programming SMP systems except that some areas of memory have slower access than others.

## Studying High Performance Computing

The study of high performance computing is an excellent chance to revisit computer architecture. Once we set out on the quest to wring the last bit of performance from our computer systems, we become more motivated to fully understand the aspects of computer architecture that have a direct impact on the system's performance.

Throughout all of computer history, salespeople have told us that their compiler will solve all of our problems, and that the compiler writers can get the absolute best performance from their hardware. This claim has never been, and probably never will be, completely true. The ability of the compiler to deliver the peak performance available in the hardware improves with each succeeding generation of hardware and software. However, as we move up the hierarchy of high performance computing architectures we can depend on the compiler less and less, and programmers must take responsibility for the performance of their code.

In the single processor and SMP systems with few CPUs, one of our goals as programmers should be to stay out of the way of the compiler. Often constructs used to improve performance on a particular architecture limit our ability to achieve performance on another architecture. Further, these "brilliant" (read obtuse) hand optimizations often confuse a compiler, limiting its ability to automatically transform our code to take advantage of the particular strengths of the computer architecture.

As programmers, it is important to know how the compiler works so we can know when to help it out and when to leave it alone. We also must be aware that as compilers improve (never as much as salespeople claim) it's best to leave more and more to the compiler.

As we move up the hierarchy of high performance computers, we need to learn new techniques to map our programs onto these architectures, including language extensions, library calls, and compiler directives. As we use these features, our programs become less portable. Also, using these higher-level constructs, we must not make modifications that result in poor performance on the individual RISC microprocessors that often make up the parallel processing system.

## Measuring Performance

When a computer is being purchased for computationally intensive applications, it is important to determine how well the system will actually perform this function. One way to choose among a set of competing systems is to have each vendor loan you a system for a period of time to test your applications. At the end of the evaluation period, you could send back the systems that did not make the grade and pay for your favorite system. Unfortunately, most vendors won't lend you a system for such an extended period of time unless there is some assurance you will eventually purchase the system.

More often we evaluate the system's potential performance using *benchmarks*. There are industry benchmarks and your own locally developed benchmarks. Both types of benchmarks require some careful thought and planning for them to be an effective tool in determining the best system for your application.

## The Next Step

Quite aside from economics, computer performance is a fascinating and challenging subject. Computer architecture is interesting in its own right and a topic that any computer professional should be comfortable with. Getting the last bit of performance out of an important application can be a stimulating exercise, in addition to an economic necessity. There are probably a few people who simply enjoy matching wits with a clever computer architecture.

What do you need to get into the game?

- A basic understanding of modern computer architecture. You don't need an advanced degree in computer engineering, but you do need to understand the basic terminology.
- A basic understanding of benchmarking, or performance measurement, so you can quantify your own successes and failures and use that information to improve the performance of your application.

This book is intended to be an easily understood introduction and overview of high performance computing. It is an interesting field, and one that will become more important as we make even greater demands on our most common personal computers. In the high performance computer field, there is always a tradeoff between the single CPU performance and the performance of a multiple processor system. Multiple processor systems are generally more expensive and difficult to program (unless you have this book).

Some people claim we eventually will have single CPUs so fast we won't need to understand any type of advanced architectures that require some skill to program.

So far in this field of computing, even as performance of a single inexpensive microprocessor has increased over a thousandfold, there seems to be no less interest in lashing a thousand of these processors together to get a millionfold increase in power. The cheaper the building blocks of high performance computing become, the greater the benefit for using many processors. If at some point in the future, we have a single processor that is faster than any of the 512-processor scalable systems of today, think how much we could do when we connect 512 of those new processors together in a single system.

That's what this book is all about. If you're interested, read on.



# Chapter 1

## Modern Computer Architectures

### 1.1 Memory

#### 1.1.1 Introduction<sup>1</sup>

##### 1.1.1.1 Memory

Let's say that you are fast asleep some night and begin dreaming. In your dream, you have a time machine and a few 500-MHz four-way superscalar processors. You turn the time machine back to 1981. Once you arrive back in time, you go out and purchase an IBM PC with an Intel 8088 microprocessor running at 4.77 MHz. For much of the rest of the night, you toss and turn as you try to adapt the 500-MHz processor to the Intel 8088 socket using a soldering iron and Swiss Army knife. Just before you wake up, the new computer finally works, and you turn it on to run the Linpack<sup>2</sup> benchmark and issue a press release. Would you expect this to turn out to be a dream or a nightmare? Chances are good that it would turn out to be a nightmare, just like the previous night where you went back to the Middle Ages and put a jet engine on a horse. (You have got to stop eating double pepperoni pizzas so late at night.)

Even if you can speed up the computational aspects of a processor infinitely fast, you still must load and store the data and instructions to and from a memory. Today's processors continue to creep ever closer to infinitely fast processing. Memory performance is increasing at a much slower rate (it will take longer for memory to become infinitely fast). Many of the interesting problems in high performance computing use a large amount of memory. As computers are getting faster, the size of problems they tend to operate on also goes up. The trouble is that when you want to solve these problems at high speeds, you need a memory system that is large, yet at the same time fast—a big challenge. Possible approaches include the following:

- Every memory system component can be made individually fast enough to respond to every memory access request.
- Slow memory can be accessed in a round-robin fashion (hopefully) to give the effect of a faster memory system.
- The memory system design can be made “wide” so that each transfer contains many bytes of information.
- The system can be divided into faster and slower portions and arranged so that the fast portion is used more often than the slow one.

Again, economics are the dominant force in the computer business. A cheap, statistically optimized memory system will be a better seller than a prohibitively expensive, blazingly fast one, so the first choice is not much of a choice at all. But these choices, used in combination, can attain a good fraction of the performance

---

<sup>1</sup>This content is available online at <<http://cnx.org/content/m32733/1.3/>>.

<sup>2</sup>See Chapter 15, Using Published Benchmarks, for details on the Linpack benchmark.

you would get if every component were fast. Chances are very good that your high performance workstation incorporates several or all of them.

Once the memory system has been decided upon, there are things we can do in software to see that it is used efficiently. A compiler that has some knowledge of the way memory is arranged and the details of the caches can optimize their use to some extent. The other place for optimizations is in user applications, as we'll see later in the book. A good pattern of memory access will work with, rather than against, the components of the system.

In this chapter we discuss how the pieces of a memory system work. We look at how patterns of data and instruction access factor into your overall runtime, especially as CPU speeds increase. We also talk a bit about the performance implications of running in a virtual memory environment.

### 1.1.2 Memory Technology<sup>3</sup>

Almost all fast memories used today are semiconductor-based.<sup>4</sup> They come in two flavors: *dynamic random access memory* (DRAM) and *static random access memory* (SRAM). The term *random* means that you can address memory locations in any order. This is to distinguish random access from serial memories, where you have to step through all intervening locations to get to the particular one you are interested in. An example of a storage medium that is *not* random is magnetic tape. The terms dynamic and static have to do with the technology used in the design of the memory cells. DRAMs are charge-based devices, where each bit is represented by an electrical charge stored in a very small capacitor. The charge can leak away in a short amount of time, so the system has to be continually refreshed to prevent data from being lost. The act of reading a bit in DRAM also discharges the bit, requiring that it be refreshed. It's not possible to read the memory bit in the DRAM while it's being refreshed.

SRAM is based on gates, and each bit is stored in four to six connected transistors. SRAM memories retain their data as long as they have power, without the need for any form of data refresh.

DRAM offers the best price/performance, as well as highest density of memory cells per chip. This means lower cost, less board space, less power, and less heat. On the other hand, some applications such as cache and video memory require higher speed, to which SRAM is better suited. Currently, you can choose between SRAM and DRAM at slower speeds — down to about 50 nanoseconds (ns). SRAM has access times down to about 7 ns at higher cost, heat, power, and board space.

In addition to the basic technology to store a single bit of data, memory performance is limited by the practical considerations of the on-chip wiring layout and the external pins on the chip that communicate the address and data information between the memory and the processor.

#### 1.1.2.1 Access Time

The amount of time it takes to read or write a memory location is called the *memory access time*. A related quantity is the *memory cycle time*. Whereas the access time says how quickly you can reference a memory location, cycle time describes how often you can repeat references. They sound like the same thing, but they're not. For instance, if you ask for data from DRAM chips with a 50-ns access time, it may be 100 ns before you can ask for more data from the same chips. This is because the chips must internally recover from the previous access. Also, when you are retrieving data sequentially from DRAM chips, some technologies have improved performance. On these chips, data immediately following the previously accessed data may be accessed as quickly as 10 ns.

Access and cycle times for commodity DRAMs are shorter than they were just a few years ago, meaning that it is possible to build faster memory systems. But CPU clock speeds have increased too. The home computer market makes a good study. In the early 1980s, the access time of commodity DRAM (200 ns) was shorter than the clock cycle (4.77 MHz = 210 ns) of the IBM PC XT. This meant that DRAM could be connected directly to the CPU without worrying about over running the memory system. Faster XT and

<sup>3</sup>This content is available online at <<http://cnx.org/content/m32716/1.3/>>.

<sup>4</sup>Magnetic core memory is still used in applications where radiation “hardness” — resistance to changes caused by ionizing radiation — is important.

AT models were introduced in the mid-1980s with CPUs that clocked more quickly than the access times of available commodity memory. Faster memory was available for a price, but vendors punted by selling computers with *wait states* added to the memory access cycle. Wait states are artificial delays that slow down references so that memory appears to match the speed of a faster CPU — at a penalty. However, the technique of adding wait states begins to significantly impact performance around 25?33MHz. Today, CPU speeds are even farther ahead of DRAM speeds.

The clock time for commodity home computers has gone from 210 ns for the XT to around 3 ns for a 300-MHz Pentium-II, but the access time for commodity DRAM has decreased disproportionately less — from 200 ns to around 50 ns. Processor performance doubles every 18 months, while memory performance doubles roughly every seven years.

The CPU/memory speed gap is even larger in workstations. Some models clock at intervals as short as 1.6 ns. How do vendors make up the difference between CPU speeds and memory speeds? The memory in the Cray-1 supercomputer used SRAM that was capable of keeping up with the 12.5-ns clock cycle. Using SRAM for its main memory system was one of the reasons that most Cray systems needed liquid cooling.

Unfortunately, it's not practical for a moderately priced system to rely exclusively on SRAM for storage. It's also not practical to manufacture inexpensive systems with enough storage using exclusively SRAM.

The solution is a hierarchy of memories using processor registers, one to three levels of SRAM cache, DRAM main memory, and virtual memory stored on media such as disk. At each point in the memory hierarchy, tricks are employed to make the best use of the available technology. For the remainder of this chapter, we will examine the memory hierarchy and its impact on performance.

In a sense, with today's high performance microprocessor performing computations so quickly, the task of the high performance programmer becomes the careful management of the memory hierarchy. In some sense it's a useful intellectual exercise to view the simple computations such as addition and multiplication as "infinitely fast" in order to get the programmer to focus on the impact of memory operations on the overall performance of the program.

### 1.1.3 Registers<sup>5</sup>

At least the top layer of the memory hierarchy, the CPU registers, operate as fast as the rest of the processor. The goal is to keep operands in the registers as much as possible. This is especially important for intermediate values used in a long computation such as:

$$X = G * 2.41 + A / W - W * M$$

While computing the value of A divided by W, we must store the result of multiplying G by 2.41. It would be a shame to have to store this intermediate result in memory and then reload it a few instructions later. On any modern processor with moderate optimization, the intermediate result is stored in a register. Also, the value W is used in two computations, and so it can be loaded once and used twice to eliminate a "wasted" load.

Compilers have been very good at detecting these types of optimizations and efficiently making use of the available registers since the 1970s. Adding more registers to the processor has some performance benefit. It's not practical to add enough registers to the processor to store the entire problem data. So we must still use the slower memory technology.

### 1.1.4 Caches<sup>6</sup>

Once we go beyond the registers in the memory hierarchy, we encounter caches. Caches are small amounts of SRAM that store a subset of the contents of the memory. The hope is that the cache will have the right subset of main memory at the right time.

<sup>5</sup>This content is available online at <<http://cnx.org/content/m32681/1.3/>>.

<sup>6</sup>This content is available online at <<http://cnx.org/content/m32725/1.3/>>.

The actual cache architecture has had to change as the cycle time of the processors has improved. The processors are so fast that off-chip SRAM chips are not even fast enough. This has led to a multilevel cache approach with one, or even two, levels of cache implemented as part of the processor. Table 1.1 shows the approximate speed of accessing the memory hierarchy on a 500-MHz DEC 21164 Alpha.

Registers	2 ns
L1 On-Chip	4 ns
L2 On-Chip	5 ns
L3 Off-Chip	30 ns
Memory	220 ns

**Table 1.1:** Memory Access Speed on a DEC 21164 Alpha

When every reference can be found in a cache, you say that you have a 100% hit rate. Generally, a hit rate of 90% or better is considered good for a level-one (L1) cache. In level-two (L2) cache, a hit rate of above 50% is considered acceptable. Below that, application performance can drop off steeply.

One can characterize the average read performance of the memory hierarchy by examining the probability that a particular load will be satisfied at a particular level of the hierarchy. For example, assume a memory architecture with an L1 cache speed of 10 ns, L2 speed of 30 ns, and memory speed of 300 ns. If a memory reference were satisfied from L1 cache 75% of the time, L2 cache 20% of the time, and main memory 5% of the time, the average memory performance would be:

$$(0.75 * 10) + (0.20 * 30) + (0.05 * 300) = 28.5 \text{ ns}$$

You can easily see why it's important to have an L1 cache hit rate of 90% or higher.

Given that a cache holds only a subset of the main memory at any time, it's important to keep an index of which areas of the main memory are currently stored in the cache. To reduce the amount of space that must be dedicated to tracking which memory areas are in cache, the cache is divided into a number of equal sized slots known as *lines*. Each line contains some number of sequential main memory locations, generally four to sixteen integers or real numbers. Whereas the data within a line comes from the same part of memory, other lines can contain data that is far separated within your program, or perhaps data from somebody else's program, as in Figure 1.1 (Cache lines can come from different parts of memory). When you ask for something from memory, the computer checks to see if the data is available within one of these cache lines. If it is, the data is returned with a minimal delay. If it's not, your program may be delayed while a new line is fetched from main memory. Of course, if a new line is brought in, another has to be thrown out. If you're lucky, it won't be the one containing the data you are just about to need.



---

Cache lines can come from different parts of memory

---

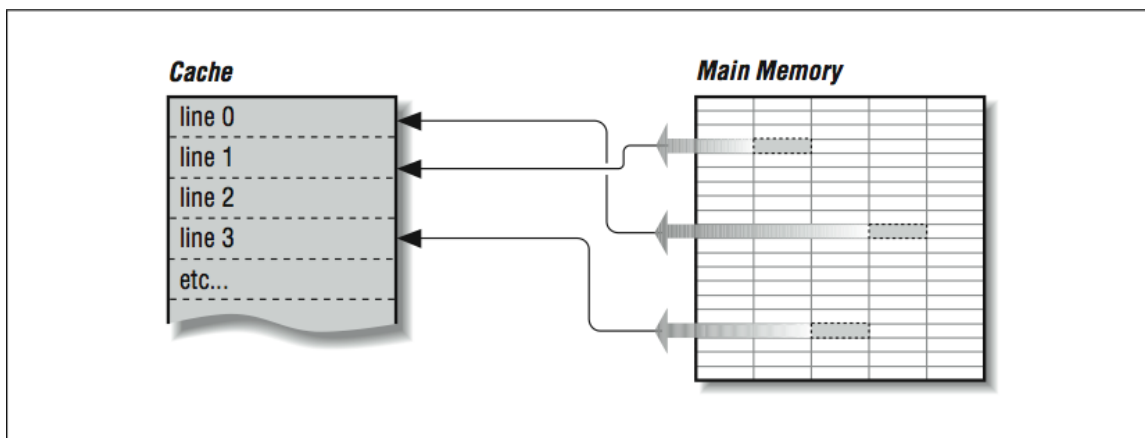


Figure 1.1

---

On multiprocessors (computers with several CPUs), written data must be returned to main memory so the rest of the processors can see it, or all other processors must be made aware of local cache activity. Perhaps they need to be told to invalidate old lines containing the previous value of the written variable so that they don't accidentally use stale data. This is known as maintaining *coherency* between the different caches. The problem can become very complex in a multiprocessor system.<sup>7</sup>

Caches are effective because programs often exhibit characteristics that help keep the hit rate high. These characteristics are called *spatial* and *temporal locality of reference*; programs often make use of instructions and data that are near to other instructions and data, both in space and time. When a cache line is retrieved from main memory, it contains not only the information that caused the cache miss, but also some neighboring information. Chances are good that the next time your program needs data, it will be in the cache line just fetched or another one recently fetched.

Caches work best when a program is reading sequentially through the memory. Assume a program is reading 32-bit integers with a cache line size of 256 bits. When the program references the first word in the cache line, it waits while the cache line is loaded from main memory. Then the next seven references to memory are satisfied quickly from the cache. This is called *unit stride* because the address of each successive data element is incremented by one and all the data retrieved into the cache is used. The following loop is a unit-stride loop:

```
DO I=1,1000000
  SUM = SUM + A(I)
END DO
```

When a program accesses a large data structure using “non-unit stride,” performance suffers because data is loaded into cache that is not used. For example:

<sup>7</sup>Section 3.2.1 describes cache coherency in more detail.

```

DO I=1,1000000, 8
  SUM = SUM + A(I)
END DO

```

This code would experience the same number of cache misses as the previous loop, and the same amount of data would be loaded into the cache. However, the program needs only one of the eight 32-bit words loaded into cache. Even though this program performs one-eighth the additions of the previous loop, its elapsed time is roughly the same as the previous loop because the memory operations dominate performance.

While this example may seem a bit contrived, there are several situations in which non-unit strides occur quite often. First, when a FORTRAN two-dimensional array is stored in memory, successive elements in the first column are stored sequentially followed by the elements of the second column. If the array is processed with the row iteration as the inner loop, it produces a unit-stride reference pattern as follows:

```

REAL*4 A(200,200)
DO J = 1,200
  DO I = 1,200
    SUM = SUM + A(I,J)
  END DO
END DO

```

Interestingly, a FORTRAN programmer would most likely write the loop (in alphabetical order) as follows, producing a non-unit stride of 800 bytes between successive load operations:

```

REAL*4 A(200,200)
DO I = 1,200
  DO J = 1,200
    SUM = SUM + A(I,J)
  END DO
END DO

```

Because of this, some compilers can detect this suboptimal loop order and reverse the order of the loops to make best use of the memory system. As we will see in Section 1.2.1, however, this code transformation may produce different results, and so you may have to give the compiler “permission” to interchange these loops in this particular example (or, after reading this book, you could just code it properly in the first place).

```

while ( ptr != NULL ) ptr = ptr->next;

```

The next element that is retrieved is based on the contents of the current element. This type of loop bounces all around memory in no particular pattern. This is called *pointer chasing* and there are no good ways to improve the performance of this code.

A third pattern often found in certain types of codes is called gather (or scatter) and occurs in loops such as:

$$\text{SUM} = \text{SUM} + \text{ARR} ( \text{IND}(\text{I}) )$$

where the IND array contains offsets into the ARR array. Again, like the linked list, the exact pattern of memory references is known only at runtime when the values stored in the IND array are known. Some special-purpose systems have special hardware support to accelerate this particular operation.

### 1.1.5 Cache Organization<sup>8</sup>

The process of pairing memory locations with cache lines is called *mapping*. Of course, given that a cache is smaller than main memory, you have to share the same cache lines for different memory locations. In caches, each cache line has a record of the memory address (called the *tag*) it represents and perhaps when it was last used. The tag is used to track which area of memory is stored in a particular cache line.

The way memory locations (tags) are mapped to cache lines can have a beneficial effect on the way your program runs, because if two heavily used memory locations map onto the same cache line, the miss rate will be higher than you would like it to be. Caches can be organized in one of several ways: direct mapped, fully associative, and set associative.

#### 1.1.5.1 Direct-Mapped Cache

Direct mapping, as shown in Figure 1.2 (Many memory addresses map to the same cache line), is the simplest algorithm for deciding how memory maps onto the cache. Say, for example, that your computer has a 4-KB cache. In a direct mapped scheme, memory location 0 maps into cache location 0, as do memory locations 4K, 8K, 12K, etc. In other words, memory maps onto the cache size. Another way to think about it is to imagine a metal spring with a chalk line marked down the side. Every time around the spring, you encounter the chalk line at the same place modulo the circumference of the spring. If the spring is very long, the chalk line crosses many coils, the analog being a large memory with many locations mapping into the same cache line.

Problems occur when alternating runtime memory references in a direct-mapped cache point to the same cache line. Each reference causes a cache miss and replaces the entry just replaced, causing a lot of overhead. The popular word for this is *thrashing*. When there is lots of thrashing, a cache can be more of a liability than an asset because each cache miss requires that a cache line be refilled — an operation that moves more data than merely satisfying the reference directly from main memory. It is easy to construct a pathological case that causes thrashing in a 4-KB direct-mapped cache:

---

<sup>8</sup>This content is available online at <<http://cnx.org/content/m32722/1.3/>>.

### Many memory addresses map to the same cache line

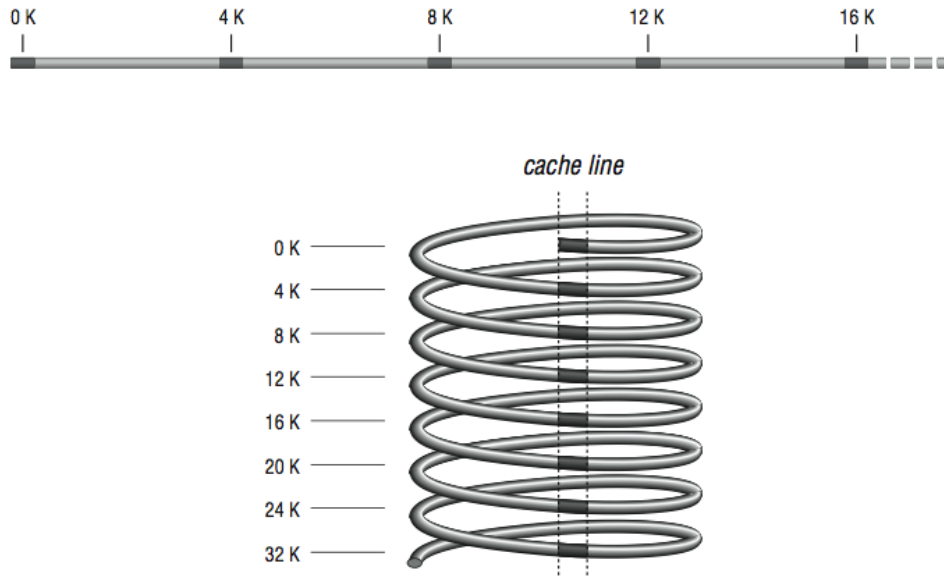


Figure 1.2

```

REAL*4 A(1024), B(1024)
COMMON /STUFF/ A,B
DO I=1,1024
  A(I) = A(I) * B(I)
END DO
END

```

The arrays A and B both take up exactly 4 KB of storage, and their inclusion together in `COMMON` assures that the arrays start exactly 4 KB apart in memory. In a 4-KB direct mapped cache, the same line that is used for A(1) is used for B(1), and likewise for A(2) and B(2), etc., so alternating references cause repeated cache misses. To fix it, you could either adjust the size of the array A, or put some other variables into `COMMON`, between them. For this reason one should generally avoid array dimensions that are close to powers of two.

#### 1.1.5.2 Fully Associative Cache

At the other extreme from a direct mapped cache is a *fully associative cache*, where any memory location can be mapped into any cache line, regardless of memory address. Fully associative caches get their name from the type of memory used to construct them — associative memory. Associative memory is like regular memory, except that each memory cell knows something about the data it contains.

When the processor goes looking for a piece of data, the cache lines are asked all at once whether any of them has it. The cache line containing the data holds up its hand and says “I have it”; if none of them do, there is a cache miss. It then becomes a question of which cache line will be replaced with the new data. Rather than map memory locations to cache lines via an algorithm, like a direct-mapped cache, the memory system can ask the fully associative cache lines to choose among themselves which memory locations they will represent. Usually the least recently used line is the one that gets overwritten with new data. The assumption is that if the data hasn’t been used in quite a while, it is least likely to be used in the future.

Fully associative caches have superior utilization when compared to direct mapped caches. It’s difficult to find real-world examples of programs that will cause thrashing in a fully associative cache. The expense of fully associative caches is very high, in terms of size, price, and speed. The associative caches that do exist tend to be small.

### 1.1.5.3 Set-Associative Cache

Now imagine that you have two direct mapped caches sitting side by side in a single cache unit as shown in Figure 1.3 (Two-way set-associative cache). Each memory location corresponds to a particular cache line in each of the two direct-mapped caches. The one you choose to replace during a cache miss is subject to a decision about whose line was used last — the same way the decision was made in a fully associative cache except that now there are only two choices. This is called a *set-associative cache*. Set-associative caches generally come in two and four separate banks of cache. These are called *two-way* and *four-way* set associative caches, respectively. Of course, there are benefits and drawbacks to each type of cache. A set-associative cache is more immune to cache thrashing than a direct-mapped cache of the same size, because for each mapping of a memory address into a cache line, there are two or more choices where it can go. The beauty of a direct-mapped cache, however, is that it’s easy to implement and, if made large enough, will perform roughly as well as a set-associative design. Your machine may contain multiple caches for several different purposes. Here’s a little program for causing thrashing in a 4-KB two-way set-associative cache:

```
REAL*4 A(1024), B(1024), C(1024)
COMMON /STUFF/ A,B,C
DO I=1,1024
  A(I) = A(I) * B(I) + C(I)
END DO
END
```

Like the previous cache thrasher program, this forces repeated accesses to the same cache lines, except that now there are three variables contending for the choose set same mapping instead of two. Again, the way to fix it would be to change the size of the arrays or insert something in between them, in `COMMON`. By the way, if you accidentally arranged a program to thrash like this, it would be hard for you to detect it — aside from a feeling that the program runs a little slow. Few vendors provide tools for measuring cache misses.

## Two-way set-associative cache

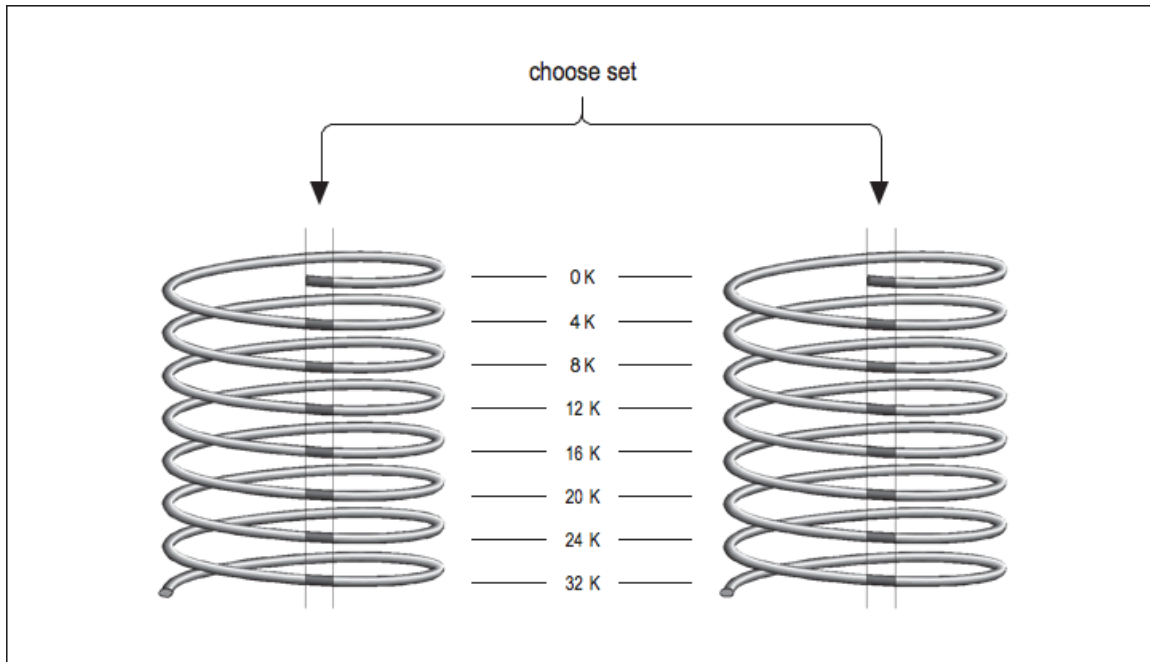


Figure 1.3

## 1.1.5.4 Instruction Cache

So far we have glossed over the two kinds of information you would expect to find in a cache between main memory and the CPU: instructions and data. But if you think about it, the demand for data is separate from the demand for instructions. In superscalar processors, for example, it's possible to execute an instruction that causes a data cache miss alongside other instructions that require no data from cache at all, i.e., they operate on registers. It doesn't seem fair that a cache miss on a data reference in one instruction should keep you from fetching other instructions because the cache is tied up. Furthermore, a cache depends on locality of reference between bits of data and other bits of data or instructions and other instructions, but what kind of interplay is there between instructions and data? It would seem possible for instructions to bump perfectly useful data from cache, or vice versa, with complete disregard for locality of reference.

Many designs from the 1980s used a single cache for both instructions and data. But newer designs are employing what is known as the *Harvard Memory Architecture*, where the demand for data is segregated from the demand for instructions.

Main memory is still a single large pool, but these processors have separate data and instruction caches, possibly of different designs. By providing two independent sources for data and instructions, the aggregate rate of information coming from memory is increased, and interference between the two types of memory references is minimized. Also, instructions generally have an extremely high level of locality of reference because of the sequential nature of most programs. Because the instruction caches don't have to be particularly large to be effective, a typical architecture is to have separate L1 caches for instructions and data and to have a combined L2 cache. For example, the IBM/Motorola PowerPC 604e has separate 32-K

four-way set-associative L1 caches for instruction and data and a combined L2 cache.

### 1.1.6 Virtual Memory<sup>9</sup>

Virtual memory decouples the addresses used by the program (virtual addresses) from the actual addresses where the data is stored in memory (physical addresses). Your program sees its address space starting at 0 and working its way up to some large number, but the actual physical addresses assigned can be very different. It gives a degree of flexibility by allowing all processes to believe they have the entire memory system to themselves. Another trait of virtual memory systems is that they divide your program's memory up into *pages* — chunks. Page sizes vary from 512 bytes to 1 MB or larger, depending on the machine. Pages don't have to be allocated contiguously, though your program sees them that way. By being separated into pages, programs are easier to arrange in memory, or move portions out to disk.

#### 1.1.6.1 Page Tables

Say that your program asks for a variable stored at location 1000. In a virtual memory machine, there is no direct correspondence between your program's idea of where location 1000 is and the physical memory systems' idea. To find where your variable is actually stored, the location has to be translated from a virtual to a physical address. The map containing such translations is called a *page table*. Each process has a several page tables associated with it, corresponding to different regions, such as program text and data segments.

To understand how address translation works, imagine the following scenario: at some point, your program asks for data from location 1000. Figure 1.4 (Virtual-to-physical address mapping) shows the steps required to complete the retrieval of this data. By choosing location 1000, you have identified which region the memory reference falls in, and this identifies which page table is involved. Location 1000 then helps the processor choose an entry within the table. For instance, if the page size is 512 bytes, 1000 falls within the second page (pages range from addresses 0–511, 512–1023, 1024–1535, etc.).

Therefore, the second table entry should hold the address of the page housing the value at location 1000.

---

<sup>9</sup>This content is available online at <<http://cnx.org/content/m32728/1.3/>>.

## Virtual-to-physical address mapping

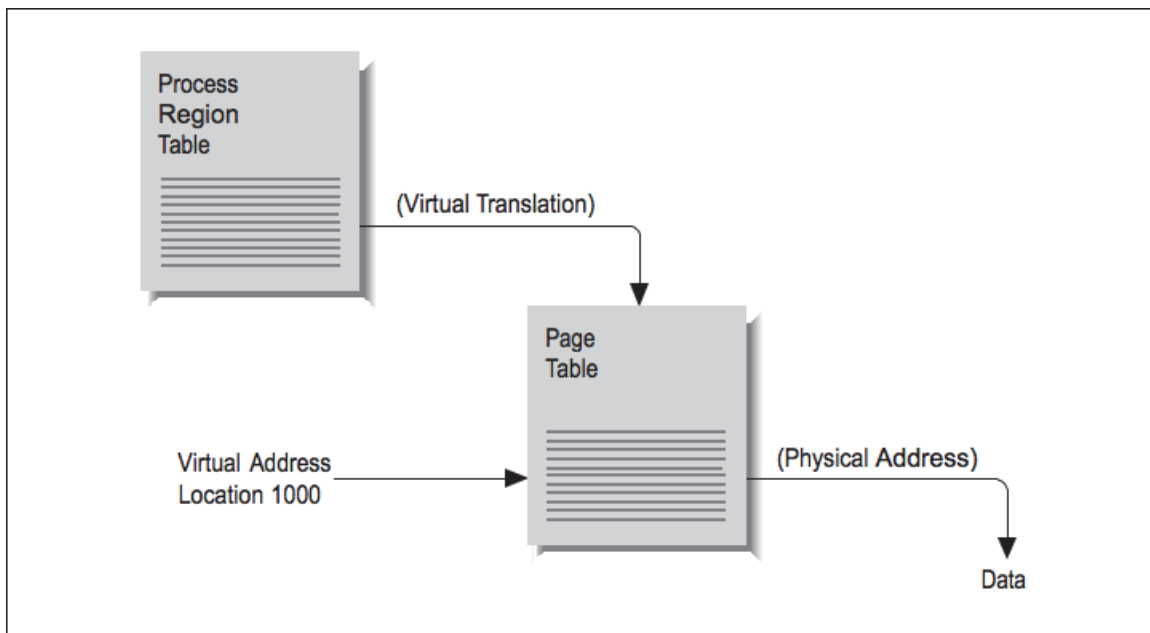


Figure 1.4

The operating system stores the page-table addresses virtually, so it's going to take a virtual-to-physical translation to locate the table in memory. One more virtual-to-physical translation, and we finally have the true address of location 1000. The memory reference can complete, and the processor can return to executing your program.

### 1.1.6.2 Translation Lookaside Buffer

As you can see, address translation through a page table is pretty complicated. It required two table lookups (maybe three) to locate our data. If every memory reference was that complicated, virtual memory computers would be horrible performers. Fortunately, locality of reference causes virtual address translations to group together; a program may repeat the same virtual page mapping millions of times a second. And where we have repeated use of the same data, we can apply a cache.

All modern virtual memory machines have a special cache called a *translation lookaside buffer* (TLB) for virtual-to-physical-memory-address translation. The two inputs to the TLB are an integer that identifies the program making the memory request and the virtual page requested. From the output pops a pointer to the physical page number. Virtual address in; physical address out. TLB lookups occur in parallel with instruction execution, so if the address data is in the TLB, memory references proceed quickly.

Like other kinds of caches, the TLB is limited in size. It doesn't contain enough entries to handle all the possible virtual-to-physical-address translations for all the programs that might run on your computer. Larger pools of address translations are kept out in memory, in the page tables. If your program asks for a virtual-to-physical-address translation, and the entry doesn't exist in the TLB, you suffer a *TLB miss*. The information needed may have to be generated (a new page may need to be created), or it may have to be retrieved from the page table.

The TLB is good for the same reason that other types of caches are good: it reduces the cost of memory references. But like other caches, there are pathological cases where the TLB can fail to deliver value. The



easiest case to construct is one where every memory reference your program makes causes a TLB miss:

```
REAL X(10000000)
COMMON X
DO I=0,9999
  DO J=1,10000000,10000
    SUM = SUM + X(J+I)
  END DO
END DO
```

Assume that the TLB page size for your computer is less than 40 KB. Every time through the inner loop in the above example code, the program asks for data that is 4 bytes\*10,000 = 40,000 bytes away from the last reference. That is, each reference falls on a different memory page. This causes 1000 TLB misses in the inner loop, taken 1001 times, for a total of at least one million TLB misses. To add insult to injury, each reference is guaranteed to cause a data cache miss as well. Admittedly, no one would start with a loop like the one above. But presuming that the loop was any good to you at all, the restructured version in the code below would cruise through memory like a warm knife through butter:

```
REAL X(10000000)
COMMON X
DO I=1,10000000
  SUM = SUM + X(I)
END DO
```

The revised loop has unit stride, and TLB misses occur only every so often. Usually it is not necessary to explicitly tune programs to make good use of the TLB. Once a program is tuned to be “cache-friendly,” it nearly always is tuned to be TLB friendly.

Because there is a performance benefit to keeping the TLB very small, the TLB entry often contains a length field. A single TLB entry can be over a megabyte in length and can be used to translate addresses stored in multiple virtual memory pages.

### 1.1.6.3 Page Faults

A page table entry also contains other information about the page it represents, including flags to tell whether the translation is valid, whether the associated page can be modified, and some information describing how new pages should be initialized. References to pages that aren’t marked valid are called *page faults*.

Taking a worst-case scenario, say that your program asks for a variable from a particular memory location. The processor goes to look for it in the cache and finds it isn’t there (cache miss), which means it must be loaded from memory. Next it goes to the TLB to find the physical location of the data in memory and finds there is no TLB entry (a TLB miss). Then it tries consulting the page table (and refilling the TLB), but finds that either there is no entry for your particular page or that the memory page has been shipped to disk (both are page faults). Each step of the memory hierarchy has shrugged off your request. A new page will have to be created in memory and possibly, depending on the circumstances, refilled from disk.

Although they take a lot of time, page faults aren’t errors. Even under optimal conditions every program suffers some number of page faults. Writing a variable for the first time or calling a subroutine that has

never been called can cause a page fault. This may be surprising if you have never thought about it before. The illusion is that your entire program is present in memory from the start, but some portions may never be loaded. There is no reason to make space for a page whose data is never referenced or whose instructions are never executed. Only those pages that are required to run the job get created or pulled in from the disk.<sup>10</sup>

The pool of physical memory pages is limited because physical memory is limited, so on a machine where many programs are lobbying for space, there will be a higher number of page faults. This is because physical memory pages are continually being recycled for other purposes. However, when you have the machine to yourself, and memory is less in demand, allocated pages tend to stick around for a while. In short, you can expect fewer page faults on a quiet machine. One trick to remember if you ever end up working for a computer vendor: always run short benchmarks twice. On some systems, the number of page faults will go down. This is because the second run finds pages left in memory by the first, and you won't have to pay for page faults again.<sup>11</sup>

Paging space (swap space) on the disk is the last and slowest piece of the memory hierarchy for most machines. In the worst-case scenario we saw how a memory reference could be pushed down to slower and slower performance media before finally being satisfied. If you step back, you can view the disk paging space as having the same relationship to main memory as main memory has to cache. The same kinds of optimizations apply too, and locality of reference is important. You can run programs that are larger than the main memory system of your machine, but sometimes at greatly decreased performance. When we look at memory optimizations in Section 2.4.1, we will concentrate on keeping the activity in the fastest parts of the memory system and avoiding the slow parts.

### 1.1.7 Improving Memory Performance<sup>12</sup>

Given the importance, in the area of high performance computing, of the performance of a computer's memory subsystem, many techniques have been used to improve the performance of the memory systems of computers. The two attributes of memory system performance are generally *bandwidth* and *latency*. Some memory system design changes improve one at the expense of the other, and other improvements positively impact both bandwidth and latency. Bandwidth generally focuses on the best possible steady-state transfer rate of a memory system. Usually this is measured while running a long unit-stride loop reading or reading and writing memory.<sup>13</sup> Latency is a measure of the worst-case performance of a memory system as it moves a small amount of data such as a 32- or 64-bit word between the processor and memory. Both are important because they are an important part of most high performance applications.

Because memory systems are divided into components, there are different bandwidth and latency figures between different components as shown in Figure 1.5 (Simple Memory System). The bandwidth rate between a cache and the CPU will be higher than the bandwidth between main memory and the cache, for instance. There may be several caches and paths to memory as well. Usually, the peak memory bandwidth quoted by vendors is the speed between the data cache and the processor.

In the rest of this section, we look at techniques to improve latency, bandwidth, or both.

#### 1.1.7.1 Large Caches

As we mentioned at the start of this chapter, the disparity between CPU speeds and memory is growing. If you look closely, you can see vendors innovating in several ways. Some workstations are being offered with 4- MB data caches! This is larger than the main memory systems of machines just a few years ago. With a large enough cache, a small (or even moderately large) data set can fit completely inside and get incredibly good performance. Watch out for this when you are testing new hardware. When your program grows too large for the cache, the performance may drop off considerably, perhaps by a factor of 10 or more, depending

<sup>10</sup>The term for this is demand paging.

<sup>11</sup>Text pages are identified by the disk device and block number from which they came.

<sup>12</sup>This content is available online at <<http://cnx.org/content/m32736/1.3/>>.

<sup>13</sup>See the STREAM section in Chapter 15 for measures of memory bandwidth.

on the memory access patterns. Interestingly, an increase in cache size on the part of vendors can render a benchmark obsolete.

### Simple Memory System

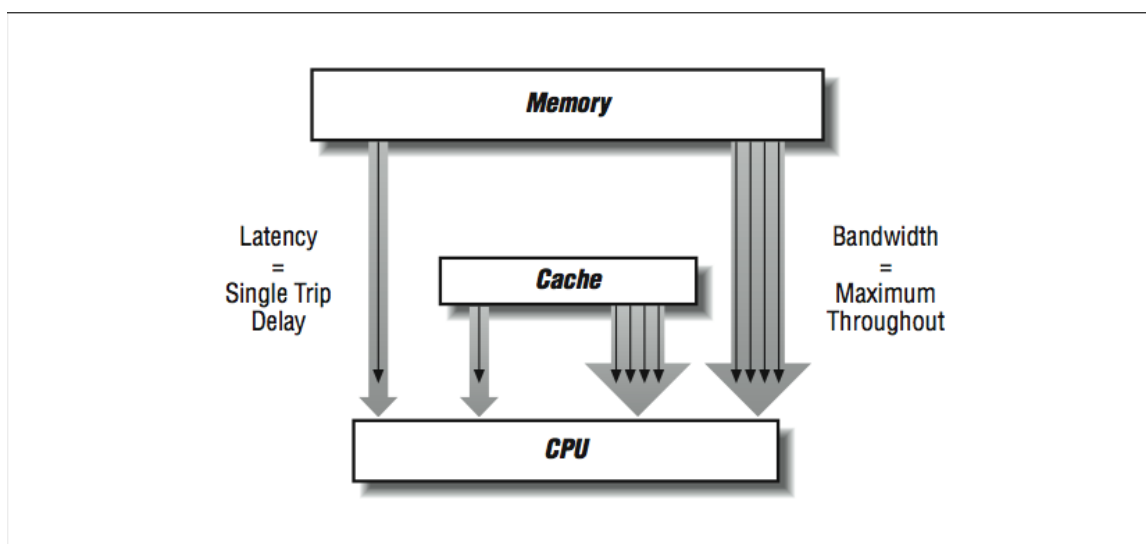


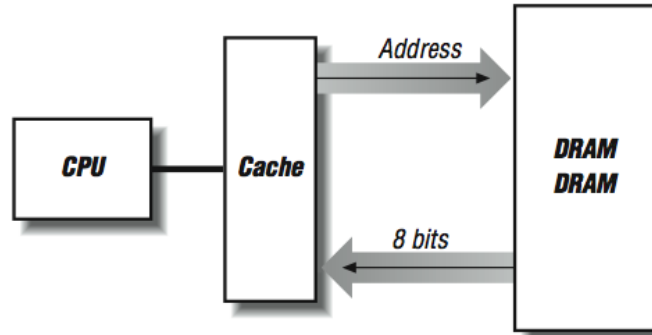
Figure 1.5

Up to 1992, the Linpack  $100 \times 100$  benchmark was probably the single most-respected benchmark to determine the average performance across a wide range of applications. In 1992, IBM introduced the IBM RS-6000 which had a cache large enough to contain the entire  $100 \times 100$  matrix for the duration of the benchmark. For the first time, a workstation had performance on this benchmark on the same order of supercomputers. In a sense, with the entire data structure in a SRAM cache, the RS-6000 was operating like a Cray vector supercomputer. The problem was that the Cray could maintain and improve the performance for a  $120 \times 120$  matrix, whereas the RS-6000 suffered a significant performance loss at this increased matrix size. Soon, all the other workstation vendors introduced similarly large caches, and the  $100 \times 100$  Linpack benchmark ceased to be useful as an indicator of average application performance.

#### 1.1.7.2 Wider Memory Systems

Consider what happens when a cache line is refilled from memory: consecutive memory locations from main memory are read to fill consecutive locations within the cache line. The number of bytes transferred depends on how big the line is — anywhere from 16 bytes to 256 bytes or more. We want the refill to proceed quickly because an instruction is stalled in the pipeline, or perhaps the processor is waiting for more instructions. In Figure 1.6 (Narrow memory system), if we have two DRAM chips that provide us with 4 bits of data every 100 ns (remember cycle time), a cache fill of a 16-byte line takes 1600 ns.

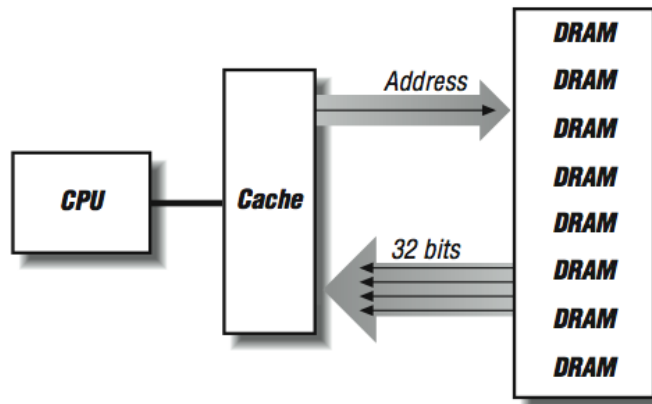
---

**Narrow memory system****Figure 1.6**

---

One way to make the cache-line fill operation faster is to “widen” the memory system as shown in Figure 1.7 (Wide memory system). Instead of having two rows of DRAMs, we create multiple rows of DRAMs. Now on every 100-ns cycle, we get 32 contiguous bits, and our cache-line fills are four times faster.

---

**Wide memory system****Figure 1.7**

---

We can improve the performance of a memory system by increasing the width of the memory system up

to the length of the cache line, at which time we can fill the entire line in a single memory cycle. On the SGI Power Challenge series of systems, the memory width is 256 bits. The downside of a wider memory system is that DRAMs must be added in multiples. In many modern workstations and personal computers, memory is expanded in the form of single inline memory modules (SIMMs). SIMMs currently are either 30-, 72-, or 168-pin modules, each of which is made up of several DRAM chips ready to be installed into a memory sub-system.

### 1.1.7.3 Bypassing Cache

It's interesting that we have spent nearly an entire chapter on how great a cache is for high performance computers, and now we are going to bypass the cache to improve performance. As mentioned earlier, some types of processing result in non-unit strides (or bouncing around) through memory. These types of memory reference patterns bring out the worst-case behavior in cache-based architectures. It is these reference patterns that see improved performance by bypassing the cache. Inability to support these types of computations remains an area where traditional supercomputers can significantly outperform high-speed RISC processors. For this reason, RISC processors that are serious about number crunching may have special instructions that bypass data cache memory; the data are transferred directly between the processor and the main memory system.<sup>14</sup> In Figure 1.8 (Bypassing cache) we have four banks of SIMMs that can do cache fills at 128 bits per 100 ns memory cycle. Remember that the data is available after 50 ns but we can't get more data until the DRAMs refresh 50–60 ns later. However, if we are doing 32-bit non-unit- stride loads and have the capability to bypass cache, each load will be satisfied from one of the four SIMMs in 50 ns. While that SIMM refreshed, another load can occur from any of the other three SIMMs in 50 ns. In a random mix of non-unit loads there is a 75% chance that the next load will fall on a "fresh" DRAM. If the load falls on a bank while it is refreshing, it simply has to wait until the refresh completes.

A further advantage of bypassing cache is that the data doesn't need to be moved through the SRAM cache. This operation can add from 10–50 ns to the load time for a single word. This also avoids invalidating the contents of an entire cache line in the cache.

Adding cache bypass, increasing memory-system widths, and adding banks increases the cost of a memory system. Computer-system vendors make an economic choice as to how many of these techniques they need to apply to get sufficient performance for their particular processor and system. Hence, as processor speed increases, vendors must add more of these memory system features to their commodity systems to maintain a balance between processor and memory-system speed.

---

<sup>14</sup>By the way, most machines have uncached memory spaces for process synchronization and I/O device registers. However, memory references to these locations bypass the cache because of the address chosen, not necessarily because of the instruction chosen.

## By-passing cache

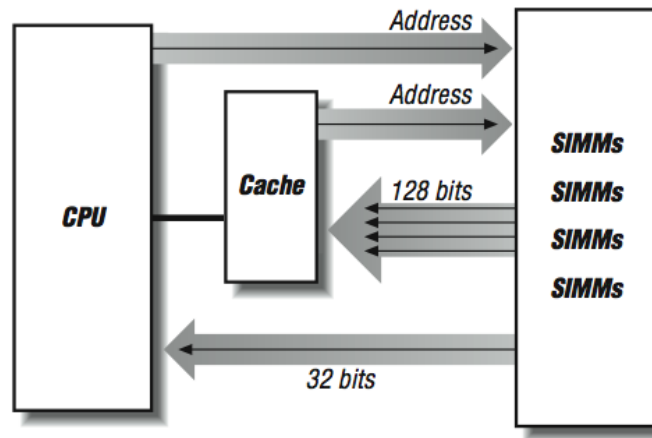


Figure 1.8

## 1.1.7.4 Interleaved and Pipelined Memory Systems

Vector supercomputers, such as the CRAY Y/MP and the Convex C3, are machines that depend on multi-banked memory systems for performance. The C3, in particular, has a memory system with up to 256-way interleaving. Each interleave (or bank) is 64 bits wide. This is an expensive memory system to build, but it has some very nice performance characteristics. Having a large number of banks helps to reduce the chances of repeated access to the same memory bank. If you do hit the same bank twice in a row, however, the penalty is a delay of nearly 300 ns — a long time for a machine with a clock speed of 16 ns. So when things go well, they go very well.

However, having a large number of banks alone is not sufficient to feed a 16-ns processor using 50 ns DRAM. In addition to interleaving, the memory subsystem also needs to be pipelined. That is, the CPU must begin the second, third, and fourth load before the CPU has received the results of the first load as shown in Figure 1.9 (Multibanked memory system). Then each time it receives the results from bank “n,” it must start the load from bank “n+4” to keep the pipeline fed. This way, after a brief startup delay, loads complete every 16 ns and so the memory system appears to operate at the clock rate of the CPU. This pipelined memory approach is facilitated by the 128-element vector registers in the C3 processor.

Using gather/scatter hardware, non-unit-stride operations can also be pipelined. The only difference for non-unit-stride operations is that the banks are not accessed in sequential order. With a random pattern of memory references, it’s possible to reaccess a memory bank before it has completely refreshed from a previous access. This is called a *bank stall*.

### Multibanked memory system

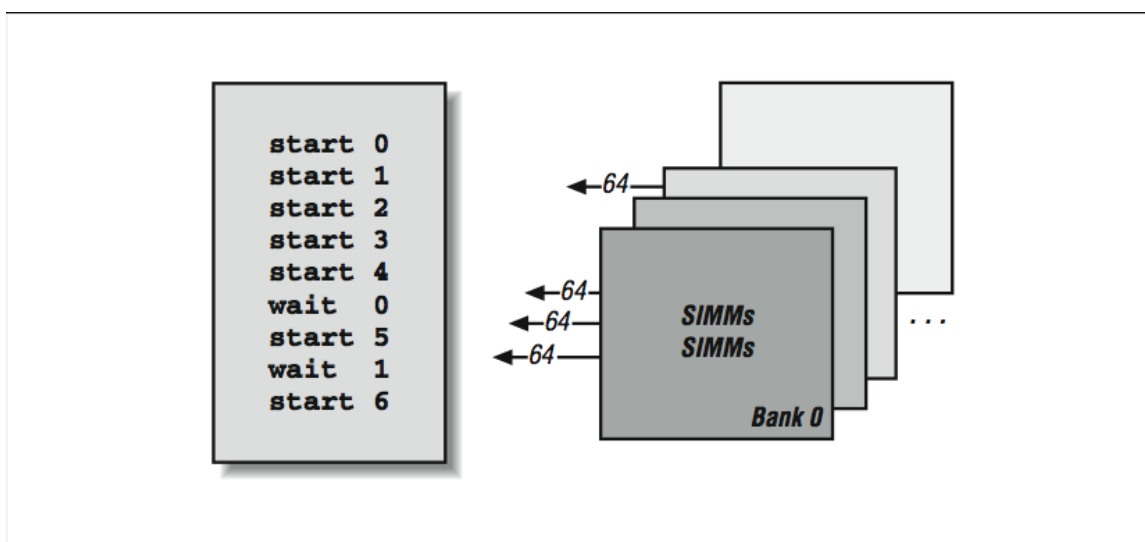


Figure 1.9

Different access patterns are subject to bank stalls of varying severity. For instance, accesses to every fourth word in an eight-bank memory system would also be subject to bank stalls, though the recovery would occur sooner. References to every second word might not experience bank stalls at all; each bank may have recovered by the time its next reference comes around; it depends on the relative speeds of the processor and memory system. Irregular access patterns are sure to encounter some bank stalls.

In addition to the bank stall hazard, single-word references made directly to a multibanked memory system carry a greater latency than those of (successfully) cached memory accesses. This is because references are going out to memory that is slower than cache, and there may be additional address translation steps as well. However, banked memory references are pipelined. As long as references are started well enough in advance, several pipelined, multibanked references can be in flight at one time, giving you good throughput.

The CDC-205 system performed vector operations in a memory-to-memory fashion using a set of explicit memory pipelines. This system had superior performance for very long unit-stride vector computations. A single instruction could perform 65,000 computations using three memory pipes.

#### 1.1.7.5 Software Managed Caches

Here's an interesting thought: if a vector processor can plan far enough in advance to start a memory pipe, why can't a RISC processor start a cache-fill before it really needs the data in those same situations? In a way, this is priming the cache to hide the latency of the cache-fill. If this could be done far enough in advance, it would appear that all memory references would operate at the speed of the cache.

This concept is called prefetching and it is supported using a special prefetch instruction available on many RISC processors. A prefetch instruction operates just like a standard load instruction, except that the processor doesn't wait for the cache to fill before the instruction completes. The idea is to prefetch far enough ahead of the computation to have the data ready in cache by the time the actual computation occurs. The following is an example of how this might be used:

```

DO I=1,1000000,8
  PREFETCH(ARR(I+8))
  DO J=0,7
    SUM=SUM+ARR(I+J)
  END DO
END DO

```

This is not the actual FORTRAN. Prefetching is usually done in the assembly code generated by the compiler when it detects that you are stepping through the array using a fixed stride. The compiler typically estimate how far ahead you should be prefetching. In the above example, if the cache-fills were particularly slow, the value 8 in I+8 could be changed to 16 or 32 while the other values changed accordingly.

In a processor that could only issue one instruction per cycle, there might be no payback to a prefetch instruction; it would take up valuable time in the instruction stream in exchange for an uncertain benefit. On a superscalar processor, however, a cache hint could be mixed in with the rest of the instruction stream and issued alongside other, real instructions. If it saved your program from suffering extra cache misses, it would be worth having.

#### 1.1.7.6 Post-RISC Effects on Memory References

Memory operations typically access the memory during the execute phase of the pipeline on a RISC processor. On the post-RISC processor, things are no different than on a RISC processor except that many loads can be half finished at any given moment. On some current processors, up to 28 memory operations may be active with 10 waiting for off-chip memory to arrive. This is an excellent way to compensate for slow memory latency compared to the CPU speed. Consider the following loop:

	LOADI	R6,10000	Set the Iterations
	LOADI	R5,0	Set the index variable
LOOP:	LOAD	R1,R2(R5)	Load a value from memory
	INCR	R1	Add one to R1
	STORE	R1,R3(R5)	Store the incremented value back to memory
	INCR	R5	Add one to R5
	COMPARE	R5,R6	Check for loop termination
	BLT	LOOP	Branch if R5 < R6 back to LOOP

In this example, assume that it take 50 cycles to access memory. When the fetch/ decode puts the first load into the instruction reorder buffer (IRB), the load starts on the next cycle and then is suspended in the execute phase. However, the rest of the instructions are in the IRB. The INCR R1 must wait for the load and the STORE must also wait. However, by using a rename register, the INCR R5, COMPARE, and BLT can all be computed, and the fetch/decode goes up to the top of the loop and sends another load into the IRB for the next memory location that will have to wait. This looping continues until about 10 iterations of the loop are in the IRB. Then the first load actually shows up from memory and the INCR R1 and STORE from the first iteration begins executing. Of course the store takes a while, but about that time the second load finishes, so there is more work to do and so on...

Like many aspects of computing, the post-RISC architecture, with its out-of-order and speculative execution, optimizes memory references. The post-RISC processor dynamically unrolls loops at execution time to compensate for memory subsystem delay. Assuming a pipelined multibanked memory system that can have multiple memory operations started before any complete (the HP PA-8000 can have 10 off- chip memory operations in flight at one time), the processor continues to dispatch memory operations until those operations begin to complete.



Unlike a vector processor or a prefetch instruction, the post-RISC processor does not need to anticipate the precise pattern of memory references so it can carefully control the memory subsystem. As a result, the post-RISC processor can achieve peak performance in a far-wider range of code sequences than either vector processors or in-order RISC processors with prefetch capability.

This implicit tolerance to memory latency makes the post-RISC processors ideal for use in the scalable shared-memory processors of the future, where the memory hierarchy will become even more complex than current processors with three levels of cache and a main memory.

Unfortunately, the one code segment that doesn't benefit significantly from the post-RISC architecture is the linked-list traversal. This is because the next address is never known until the previous load is completed so all loads are fundamentally serialized.

### 1.1.7.7 Dynamic RAM Technology Trends

Much of the techniques in this section have focused on how to deal with the imperfections of the dynamic RAM chip (although when your clock rate hits 300–600 MHz or 3–2 ns, even SRAM starts to look pretty slow). It's clear that the demand for more and more RAM will continue to increase, and gigabits and more DRAM will fit on a single chip. Because of this, significant work is underway to make new super-DRAMs faster and more tuned to the extremely fast processors of the present and the future. Some of the technologies are relatively straightforward, and others require a major redesign of the way that processors and memories are manufactured.

Some DRAM improvements include:

- Fast page mode DRAM
- Extended data out RAM (EDO RAM)
- Synchronous DRAM (SDRAM)
- RAMBUS
- Cached DRAM (CDRAM)

Fast *page mode* DRAM saves time by allowing a mode in which the entire address doesn't have to be re-clocked into the chip for each memory operation. Instead, there is an assumption that the memory will be accessed sequentially (as in a cache-line fill), and only the low-order bits of the address are clocked in for successive reads or writes.

*EDO RAM* is a modification to output buffering on page mode RAM that allows it to operate roughly twice as quickly for operations other than refresh.

*Synchronous DRAM* is synchronized using an external clock that allows the cache and the DRAM to coordinate their operations. Also, SDRAM can pipeline the retrieval of multiple memory bits to improve overall throughput.

*RAMBUS* is a proprietary technology capable of 500 MB/sec data transfer. RAMBUS uses significant logic within the chip and operates at higher power levels than typical DRAM.

*Cached DRAM* combines a SRAM cache on the same chip as the DRAM. This tightly couples the SRAM and DRAM and provides performance similar to SRAM devices with all the limitations of any cache architecture. One advantage of the CDRAM approach is that the amount of cache is increased as the amount of DRAM is increased. Also when dealing with memory systems with a large number of interleaves, each interleave has its own SRAM to reduce latency, assuming the data requested was in the SRAM.

An even more advanced approach is to integrate the processor, SRAM, and DRAM onto a single chip clocked at say 5 GHz, containing 128 MB of data. Understandably, there is a wide range of technical problems to solve before this type of component is widely available for \$200 — but it's not out of the question. The manufacturing processes for DRAM and processors are already beginning to converge in some ways (RAMBUS). The biggest performance problem when we have this type of system will be, "What to do if you need 160 MB?"

### 1.1.8 Closing Notes<sup>15</sup>

They say that the computer of the future will be a good memory system that just happens to have a CPU attached. As high performance microprocessor systems take over as *the* high performance computing engines, the problem of a cache-based memory system that uses DRAM for main memory must be solved. There are many architecture and technology efforts underway to transform workstation and personal computer memories to be as capable as supercomputer memories.

As CPU speed increases faster than memory speed, you will need the techniques in this book. Also, as you move into multiple processors, memory problems don't get better; usually they get worse. With many hungry processors always ready for more data, a memory subsystem can become extremely strained.

With just a little skill, we can often restructure memory accesses so that they play to your memory system's strengths instead of its weaknesses.

### 1.1.9 Exercises<sup>16</sup>

#### Exercise 1.1.9.1

The following code segment traverses a pointer chain:

```
while ((p = (char *) *p) != NULL);
```

How will such a code interact with the cache if all the references fall within a small portion of memory? How will the code interact with the cache if references are stretched across many megabytes?

#### Exercise 1.1.9.2

How would the code in Exercise 1.1.9.1 behave on a multibanked memory system that has no cache?

#### Exercise 1.1.9.3

A long time ago, people regularly wrote self-modifying code — programs that wrote into instruction memory and changed their own behavior. What would be the implications of self-modifying code on a machine with a Harvard memory architecture?

#### Exercise 1.1.9.4

Assume a memory architecture with an L1 cache speed of 10 ns, L2 speed of 30 ns, and memory speed of 200 ns. Compare the average memory system performance with (1) L1 80%, L2 10%, and memory 10%; and (2) L1 85% and memory 15%.

#### Exercise 1.1.9.5

On a computer system, run loops that process arrays of varying length from 16 to 16 million:

```
ARRAY(I) = ARRAY(I) + 3
```

How does the number of additions per second change as the array length changes? Experiment with REAL\*4, REAL\*8, INTEGER\*4, and INTEGER\*8.

Which has more significant impact on performance: larger array elements or integer versus floating-point? Try this on a range of different computers.

#### Exercise 1.1.9.6

Create a two-dimensional array of 1024×1024. Loop through the array with rows as the inner loop and then again with columns as the inner loop. Perform a simple operation on each element. Do the loops perform differently? Why? Experiment with different dimensions for the array and see the performance impact.

#### Exercise 1.1.9.7

Write a program that repeatedly executes timed loops of different sizes to determine the cache size for your system.

<sup>15</sup>This content is available online at <<http://cnx.org/content/m32690/1.3/>>.

<sup>16</sup>This content is available online at <<http://cnx.org/content/m32698/1.3/>>.

## 1.2 Floating-Point Numbers

### 1.2.1 Introduction<sup>17</sup>

Often when we want to make a point that nothing is sacred, we say, “one plus one does not equal two.” This is designed to shock us and attack our fundamental assumptions about the nature of the universe. Well, in this chapter on floating-point numbers, we will learn that “ $0.1 + 0.1$  does not always equal  $0.2$ ” when we use floating-point numbers for computations.

In this chapter we explore the limitations of floating-point numbers and how you as a programmer can write code to minimize the effect of these limitations. This chapter is just a brief introduction to a significant field of mathematics called *numerical analysis*.

### 1.2.2 Reality<sup>18</sup>

The real world is full of real numbers. Quantities such as distances, velocities, masses, angles, and other quantities are all real numbers.<sup>19</sup> A wonderful property of real numbers is that they have unlimited accuracy. For example, when considering the ratio of the circumference of a circle to its diameter, we arrive at a value of  $3.141592\dots$ . The decimal value for  $\pi$  does not terminate. Because real numbers have unlimited accuracy, even though we can't write it down,  $\pi$  is still a real number. Some real numbers are rational numbers because they can be represented as the ratio of two integers, such as  $1/3$ . Not all real numbers are rational numbers. Not surprisingly, those real numbers that aren't rational numbers are called irrational. You probably would not want to start an argument with an irrational number unless you have a lot of free time on your hands.

Unfortunately, on a piece of paper, or in a computer, we don't have enough space to keep writing the digits of  $\pi$ . So what do we do? We decide that we only need so much accuracy and round real numbers to a certain number of digits. For example, if we decide on four digits of accuracy, our approximation of  $\pi$  is  $3.142$ . Some state legislature attempted to pass a law that  $\pi$  was to be three. While this is often cited as evidence for the IQ of governmental entities, perhaps the legislature was just suggesting that we only need one digit of accuracy for  $\pi$ . Perhaps they foresaw the need to save precious memory space on computers when representing real numbers.

### 1.2.3 Representation<sup>20</sup>

Given that we cannot perfectly represent real numbers on digital computers, we must come up with a compromise that allows us to approximate real numbers.<sup>21</sup> There are a number of different ways that have been used to represent real numbers. The challenge in selecting a representation is the trade-off between space and accuracy and the tradeoff between speed and accuracy. In the field of high performance computing we generally expect our processors to produce a floating-point result every 600-MHz clock cycle. It is pretty clear that in most applications we aren't willing to drop this by a factor of 100 just for a little more accuracy. Before we discuss the format used by most high performance computers, we discuss some alternative (albeit slower) techniques for representing real numbers.

<sup>17</sup>This content is available online at <http://cnx.org/content/m32739/1.3/>.

<sup>18</sup>This content is available online at <http://cnx.org/content/m32741/1.3/>.

<sup>19</sup>In high performance computing we often simulate the real world, so it is somewhat ironic that we use simulated real numbers (floating-point) in those simulations of the real world.

<sup>20</sup>This content is available online at <http://cnx.org/content/m32772/1.3/>.

<sup>21</sup>Interestingly, analog computers have an easier time representing real numbers. Imagine a “water-adding” analog computer which consists of two glasses of water and an empty glass. The amount of water in the two glasses are perfectly represented real numbers. By pouring the two glasses into a third, we are adding the two real numbers perfectly (unless we spill some), and we wind up with a real number amount of water in the third glass. The problem with analog computers is knowing just how much water is in the glasses when we are all done. It is also problematic to perform 600 million additions per second using this technique without getting pretty wet. Try to resist the temptation to start an argument over whether quantum mechanics would cause the real numbers to be rational numbers. And don't point out the fact that even digital computers are really analog computers at their core. I am trying to keep the focus on floating-point values, and you keep drifting away!

### 1.2.3.1 Binary Coded Decimal

In the earliest computers, one technique was to use binary coded decimal (BCD). In BCD, each base-10 digit was stored in four bits. Numbers could be arbitrarily long with as much precision as there was memory:

```
123.45
0001 0010 0011 0100 0101
```

This format allows the programmer to choose the precision required for each variable. Unfortunately, it is difficult to build extremely high-speed hardware to perform arithmetic operations on these numbers. Because each number may be far longer than 32 or 64 bits, they did not fit nicely in a register. Much of the floating-point operations for BCD were done using loops in microcode. Even with the flexibility of accuracy on BCD representation, there was still a need to round real numbers to fit into a limited amount of space.

Another limitation of the BCD approach is that we store a value from 0–9 in a four-bit field. This field is capable of storing values from 0–15 so some of the space is wasted.

### 1.2.3.2 Rational Numbers

One intriguing method of storing real numbers is to store them as rational numbers. To briefly review mathematics, rational numbers are the subset of real numbers that can be expressed as a ratio of integer numbers. For example,  $22/7$  and  $1/2$  are rational numbers. Some rational numbers, such as  $1/2$  and  $1/10$ , have perfect representation as base-10 decimals, and others, such as  $1/3$  and  $22/7$ , can only be expressed as infinite-length base-10 decimals. When using rational numbers, each real number is stored as two integer numbers representing the numerator and denominator. The basic fractional arithmetic operations are used for addition, subtraction, multiplication, and division, as shown in Figure 1.10 (Rational number mathematics).

---

**Rational number mathematics**

$$\frac{1}{3} \times \frac{30}{7} = \frac{30}{21} = \frac{10}{7}$$

$$\frac{1}{6} + \frac{1}{5} = \frac{5}{30} + \frac{6}{30} = \frac{11}{30}$$

$$\frac{14173}{21224} \times \frac{77234}{2121} = \frac{1094637482}{45016104} = \frac{547318741}{22508052}$$

Figure 1.10

The limitation that occurs when using rational numbers to represent real numbers is that the size of the numerators and denominators tends to grow. For each addition, a common denominator must be found. To

keep the numbers from becoming extremely large, during each operation, it is important to find the *greatest common divisor* (GCD) to reduce fractions to their most compact representation. When the values grow and there are no common divisors, either the large integer values must be stored using dynamic memory or some form of approximation must be used, thus losing the primary advantage of rational numbers.

For mathematical packages such as Maple or Mathematica that need to produce exact results on smaller data sets, the use of rational numbers to represent real numbers is at times a useful technique. The performance and storage cost is less significant than the need to produce exact results in some instances.

### 1.2.3.3 Fixed Point

If the desired number of decimal places is known in advance, it's possible to use fixed-point representation. Using this technique, each real number is stored as a scaled integer. This solves the problem that base-10 fractions such as 0.1 or 0.01 cannot be perfectly represented as a base-2 fraction. If you multiply 110.77 by 100 and store it as a scaled integer 11077, you can perfectly represent the base-10 fractional part (0.77). This approach can be used for values such as money, where the number of digits past the decimal point is small and known.

However, just because all numbers can be accurately represented it doesn't mean there are not errors with this format. When multiplying a fixed-point number by a fraction, you get digits that can't be represented in a fixed-point format, so some form of rounding must be used. For example, if you have \$125.87 in the bank at 4% interest, your interest amount would be \$5.0348. However, because your bank balance only has two digits of accuracy, they only give you \$5.03, resulting in a balance of \$130.90. Of course you probably have heard many stories of programmers getting rich depositing many of the remaining 0.0048 amounts into their own account. My guess is that banks have probably figured that one out by now, and the bank keeps the money for itself. But it does make one wonder if they round or truncate in this type of calculation.<sup>22</sup>

### 1.2.3.4 Mantissa/Exponent

The floating-point format that is most prevalent in high performance computing is a variation on scientific notation. In scientific notation the real number is represented using a mantissa, base, and exponent:  $6.02 \times 10^{23}$ .

The mantissa typically has some fixed number of places of accuracy. The mantissa can be represented in base 2, base 16, or BCD. There is generally a limited range of exponents, and the exponent can be expressed as a power of 2, 10, or 16.

The primary advantage of this representation is that it provides a wide overall range of values while using a fixed-length storage representation. The primary limitation of this format is that the difference between two successive values is not uniform. For example, assume that you can represent three base-10 digits, and your exponent can range from -10 to 10. For numbers close to zero, the "distance" between successive numbers is very small. For the number  $1.72 \times 10^{-10}$ , the next larger number is  $1.73 \times 10^{-10}$ . The distance between these two "close" small numbers is 0.000000000001. For the number  $6.33 \times 10^{10}$ , the next larger number is  $6.34 \times 10^{10}$ . The distance between these "close" large numbers is 100 million.

In Figure 1.11 (Distance between successive floating-point numbers), we use two base-2 digits with an exponent ranging from -1 to 1.

---

<sup>22</sup>Perhaps banks round this instead of truncating, knowing that they will always make it up in teller machine fees.

## Distance between successive floating-point numbers

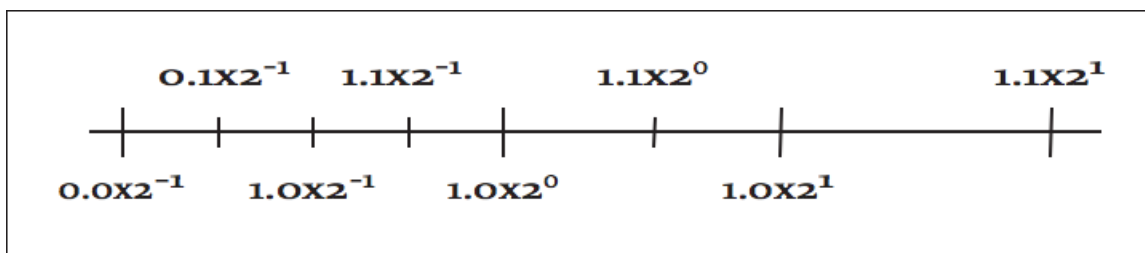


Figure 1.11

There are multiple equivalent representations of a number when using scientific notation:

$$6.00 \times 10^5$$

$$0.60 \times 10^6$$

$$0.06 \times 10^7$$

By convention, we shift the mantissa (adjust the exponent) until there is exactly one nonzero digit to the left of the decimal point. When a number is expressed this way, it is said to be “normalized.” In the above list, only  $6.00 \times 10^5$  is normalized. Figure 1.12 (Normalized floating-point numbers) shows how some of the floating-point numbers from Figure 1.11 (Distance between successive floating-point numbers) are not normalized.

While the mantissa/exponent has been the dominant floating-point approach for high performance computing, there were a wide variety of specific formats in use by computer vendors. Historically, each computer vendor had their own particular format for floating-point numbers. Because of this, a program executed on several different brands of computer would generally produce different answers. This invariably led to heated discussions about which system provided the right answer and which system(s) were generating meaningless results.<sup>23</sup>

## Normalized floating-point numbers

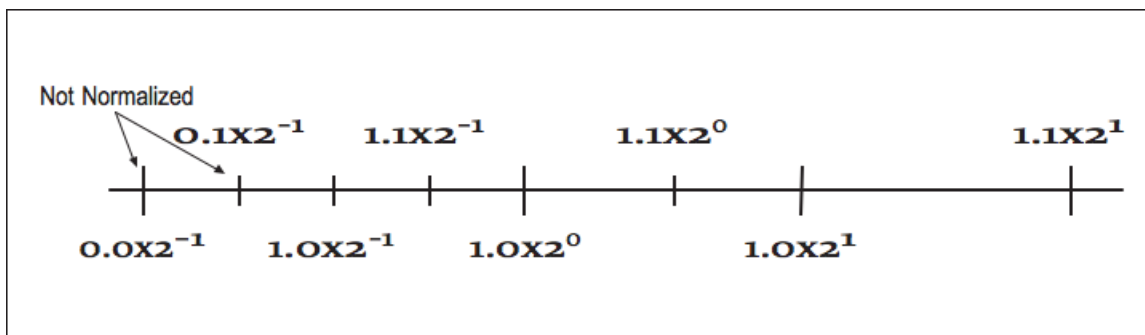


Figure 1.12

<sup>23</sup>Interestingly, there was an easy answer to the question for many programmers. Generally they trusted the results from the computer they used to debug the code and dismissed the results from other computers as garbage.

When storing floating-point numbers in digital computers, typically the mantissa is normalized, and then the mantissa and exponent are converted to base-2 and packed into a 32- or 64-bit word. If more bits were allocated to the exponent, the overall range of the format would be increased, and the number of digits of accuracy would be decreased. Also the base of the exponent could be base-2 or base-16. Using 16 as the base for the exponent increases the overall range of exponents, but because normalization must occur on four-bit boundaries, the available digits of accuracy are reduced on the average. Later we will see how the IEEE 754 standard for floating-point format represents numbers.

### 1.2.4 Effects of Floating-Point Representation<sup>24</sup>

One problem with the mantissa/base/exponent representation is that not all base-10 numbers can be expressed perfectly as a base-2 number. For example,  $1/2$  and  $0.25$  can be represented perfectly as base-2 values, while  $1/3$  and  $0.1$  produce infinitely repeating base-2 decimals. These values must be rounded to be stored in the floating-point format. With sufficient digits of precision, this generally is not a problem for computations. However, it does lead to some anomalies where algebraic rules do not appear to apply. Consider the following example:

```
REAL*4 X,Y
X = 0.1
Y = 0
DO I=1,10
  Y = Y + X
ENDDO
IF ( Y .EQ. 1.0 ) THEN
  PRINT *,'Algebra is truth'
ELSE
  PRINT *,'Not here'
ENDIF
PRINT *,1.0-Y
END
```

At first glance, this appears simple enough. Mathematics tells us ten times  $0.1$  should be one. Unfortunately, because  $0.1$  cannot be represented exactly as a base-2 decimal, it must be rounded. It ends up being rounded down to the last bit. When ten of these slightly smaller numbers are added together, it does not quite add up to  $1.0$ . When  $X$  and  $Y$  are `REAL*4`, the difference is about  $10^{-7}$ , and when they are `REAL*8`, the difference is about  $10^{-16}$ .

One possible method for comparing computed values to constants is to subtract the values and test to see how close the two values become. For example, one can rewrite the test in the above code to be:

```
IF ( ABS(1.0-Y).LT. 1E-6) THEN
  PRINT *,'Close enough for government work'
ELSE
  PRINT *,'Not even close'
ENDIF
```

---

<sup>24</sup>This content is available online at <<http://cnx.org/content/m32755/1.3/>>.

The type of the variables in question and the expected error in the computation that produces  $Y$  determines the appropriate value used to declare that two values are close enough to be declared equal.

Another area where inexact representation becomes a problem is the fact that algebraic inverses do not hold with all floating-point numbers. For example, using `REAL*4`, the value  $(1.0/X) * X$  does not evaluate to 1.0 for 135 values of  $X$  from one to 1000. This can be a problem when computing the inverse of a matrix using LU-decomposition. LU-decomposition repeatedly does division, multiplication, addition, and subtraction. If you do the straightforward LU-decomposition on a matrix with integer coefficients that has an integer solution, there is a pretty good chance you won't get the exact solution when you run your algorithm. Discussing techniques for improving the accuracy of matrix inverse computation is best left to a numerical analysis text.

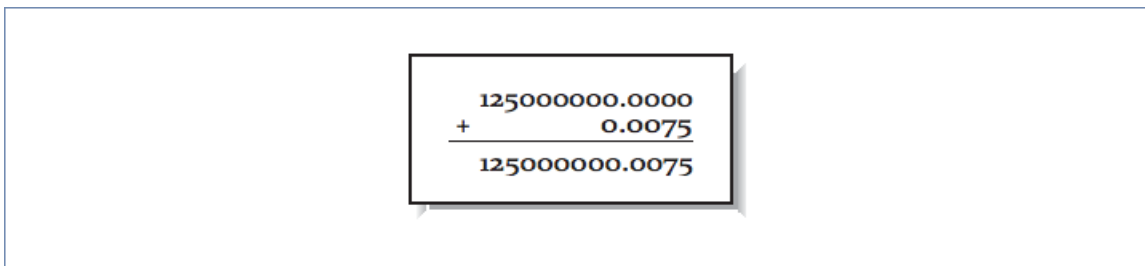
### 1.2.5 More Algebra That Doesn't Work<sup>25</sup>

While the examples in the proceeding section focused on the limitations of multiplication and division, addition and subtraction are not, by any means, perfect. Because of the limitation of the number of digits of precision, certain additions or subtractions have no effect. Consider the following example using `REAL*4` with 7 digits of precision:

```
X = 1.25E8
Y = X + 7.5E-3
IF ( X.EQ.Y ) THEN
  PRINT *, 'Am I nuts or what?'
ENDIF
```

While both of these numbers are precisely representable in floating-point, adding them is problematic. Prior to adding these numbers together, their decimal points must be aligned as in Figure 1.13 (Figure 4-4: Loss of accuracy while aligning decimal points).

**Figure 4-4: Loss of accuracy while aligning decimal points**



**Figure 1.13**

<sup>25</sup>This content is available online at <http://cnx.org/content/m32754/1.3/>.



Unfortunately, while we have computed the exact result, it cannot fit back into a `REAL*4` variable (7 digits of accuracy) without truncating the 0.0075. So after the addition, the value in `Y` is exactly 1.25E8. Even sadder, the addition could be performed *millions* of times, and the value for `Y` would still be 1.25E8.

Because of the limitation on precision, not all algebraic laws apply all the time. For instance, the answer you obtain from `X+Y` will be the same as `Y+X`, as per the commutative law for addition. Whichever operand you pick first, the operation yields the same result; they are mathematically equivalent. It also means that you can choose either of the following two forms and get the same answer:

$$\begin{aligned} &(\text{X} + \text{Y}) + \text{Z} \\ &(\text{Y} + \text{X}) + \text{Z} \end{aligned}$$

However, this is not equivalent:

$$(\text{Y} + \text{Z}) + \text{X}$$

The third version isn't equivalent to the first two because the order of the calculations has changed. Again, the rearrangement is equivalent algebraically, but not computationally. By changing the order of the calculations, we have taken advantage of the associativity of the operations; we have made an *associative transformation* of the original code.

To understand why the order of the calculations matters, imagine that your computer can perform arithmetic significant to only five decimal places.

Also assume that the values of `X`, `Y`, and `Z` are .00005, .00005, and 1.0000, respectively. This means that:

$$\begin{aligned} (\text{X} + \text{Y}) + \text{Z} &= .00005 + .00005 + 1.0000 \\ &= .0001 \qquad \qquad \qquad + 1.0000 \qquad = 1.0001 \end{aligned}$$

but:

$$\begin{aligned} (\text{Y} + \text{Z}) + \text{X} &= .00005 + 1.0000 + .00005 \\ &= 1.0000 \qquad \qquad \qquad + .00005 \qquad = 1.0000 \end{aligned}$$

The two versions give slightly different answers. When adding `Y+Z+X`, the sum of the smaller numbers was insignificant when added to the larger number. But when computing `X+Y+Z`, we add the two small numbers first, and their combined sum is large enough to influence the final answer. For this reason, compilers that rearrange operations for the sake of performance generally only do so after the user has requested optimizations beyond the defaults.

For these reasons, the FORTRAN language is very strict about the exact order of evaluation of expressions. To be compliant, the compiler must ensure that the operations occur exactly as you express them.<sup>26</sup>

---

<sup>26</sup>Often even if you didn't mean it.

For Kernighan and Ritchie C, the operator precedence rules are different. Although the precedences between operators are honored (i.e., \* comes before +, and evaluation generally occurs left to right for operators of equal precedence), the compiler is allowed to treat a few commutative operations (+, \*, &, ^ and |) as if they were fully associative, even if they are parenthesized. For instance, you might tell the C compiler:

```
a = x + (y + z);
```

However, the C compiler is free to ignore you, and combine X, Y, and Z in any order it pleases.

Now armed with this knowledge, view the following harmless-looking code segment:

```
REAL*4 SUM,A(1000000)
SUM = 0.0
DO I=1,1000000
    SUM = SUM + A(I)
ENDDO
```

Begins to look like a nightmare waiting to happen. The accuracy of this sum depends of the relative magnitudes and order of the values in the array A. If we sort the array from smallest to largest and then perform the additions, we have a more accurate value. There are other algorithms for computing the sum of an array that reduce the error without requiring a full sort of the data. Consult a good textbook on numerical analysis for the details on these algorithms.

If the range of magnitudes of the values in the array is relatively small, the straight- forward computation of the sum is probably sufficient.

### 1.2.6 Improving Accuracy Using Guard Digits<sup>27</sup>

In this section we explore a technique to improve the precision of floating-point computations without using additional storage space for the floating-point numbers.

Consider the following example of a base-10 system with five digits of accuracy performing the following subtraction:

$$10.001 - 9.9993 = 0.0017$$

All of these values can be perfectly represented using our floating-point format. However, if we only have five digits of precision available while aligning the decimal points during the computation, the results end up with significant error as shown in Figure 1.14 (Need for guard digits ).

---

<sup>27</sup>This content is available online at <<http://cnx.org/content/m32744/1.3/>>.

---

### Need for guard digits

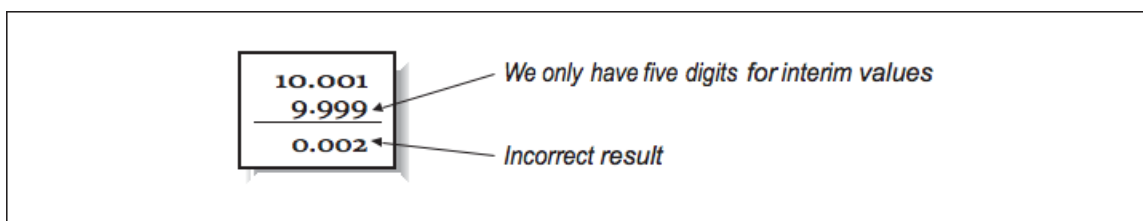


Figure 1.14

---

To perform this computation and round it correctly, we do not need to increase the number of significant digits for *stored* values. We do, however, need additional digits of precision while performing the computation.

The solution is to add extra *guard digits* which are maintained during the interim steps of the computation. In our case, if we maintained six digits of accuracy while aligning operands, and rounded before normalizing and assigning the final value, we would get the proper result. The guard digits only need to be present as part of the floating-point execution unit in the CPU. It is not necessary to add guard digits to the registers or to the values stored in memory.

It is not necessary to have an extremely large number of guard digits. At some point, the difference in the magnitude between the operands becomes so great that lost digits do not affect the addition or rounding results.

## 1.2.7 History of IEEE Floating-Point Format<sup>28</sup>

### 1.2.7.1 History of IEEE Floating-Point Format

Prior to the RISC microprocessor revolution, each vendor had their own floating-point formats based on their designers' views of the relative importance of range versus accuracy and speed versus accuracy. It was not uncommon for one vendor to carefully analyze the limitations of another vendor's floating-point format and use this information to convince users that theirs was the only "accurate" floating-point implementation. In reality none of the formats was perfect. The formats were simply imperfect in different ways.

During the 1980s the Institute for Electrical and Electronics Engineers (IEEE) produced a standard for the floating-point format. The title of the standard is "IEEE 754-1985 Standard for Binary Floating-Point Arithmetic." This standard provided the precise definition of a floating-point format and described the operations on floating-point values.

Because IEEE 754 was developed after a variety of floating-point formats had been in use for quite some time, the IEEE 754 working group had the benefit of examining the existing floating-point designs and taking the strong points, and avoiding the mistakes in existing designs. The IEEE 754 specification had its beginnings in the design of the Intel i8087 floating-point coprocessor. The i8087 floating-point format improved on the DEC VAX floating-point format by adding a number of significant features.

The near universal adoption of IEEE 754 floating-point format has occurred over a 10-year time period. The high performance computing vendors of the mid 1980s (Cray IBM, DEC, and Control Data) had their own proprietary floating-point formats that they had to continue supporting because of their installed user base. They really had no choice but to continue to support their existing formats. In the mid to late 1980s the primary systems that supported the IEEE format were RISC workstations and some coprocessors

<sup>28</sup>This content is available online at <<http://cnx.org/content/m32770/1.3/>>.

for microprocessors. Because the designers of these systems had no need to protect a proprietary floating-point format, they readily adopted the IEEE format. As RISC processors moved from general-purpose integer computing to high performance floating-point computing, the CPU designers found ways to make IEEE floating-point operations operate very quickly. In 10 years, the IEEE 754 has gone from a standard for floating-point coprocessors to the dominant floating-point standard for all computers. Because of this standard, we, the users, are the beneficiaries of a portable floating-point environment.

### 1.2.7.2 IEEE Floating-Point Standard

The IEEE 754 standard specified a number of different details of floating-point operations, including:

- Storage formats
- Precise specifications of the results of operations
- Special values
- Specified runtime behavior on illegal operations

Specifying the floating-point format to this level of detail insures that when a computer system is compliant with the standard, users can expect repeatable execution from one hardware platform to another when operations are executed in the same order.

### 1.2.7.3 IEEE Storage Format

The two most common IEEE floating-point formats in use are 32- and 64-bit numbers. Table 1.2: Parameters of IEEE 32- and 64-Bit Formats gives the general parameters of these data types.

**Parameters of IEEE 32- and 64-Bit Formats**

IEEE75	FORTRAN	C	Bits	Exponent Bits	Mantissa Bits
Single	REAL*4	float	32	8	24
Double	REAL*8	double	64	11	53
Double-Extended	REAL*10	long double	$\geq 80$	$\geq 15$	$\geq 64$

**Table 1.2**

In FORTRAN, the 32-bit format is usually called REAL, and the 64-bit format is usually called DOUBLE. However, some FORTRAN compilers double the sizes for these data types. For that reason, it is safest to declare your FORTRAN variables as REAL\*4 or REAL\*8. The double-extended format is not as well supported in compilers and hardware as the single- and double-precision formats. The bit arrangement for the single and double formats are shown in Figure 1.15 (IEEE754 floating-point formats).

Based on the storage layouts in Table 1.2: Parameters of IEEE 32- and 64-Bit Formats, we can derive the ranges and accuracy of these formats, as shown in Table 1.3.

## IEEE754 floating-point formats

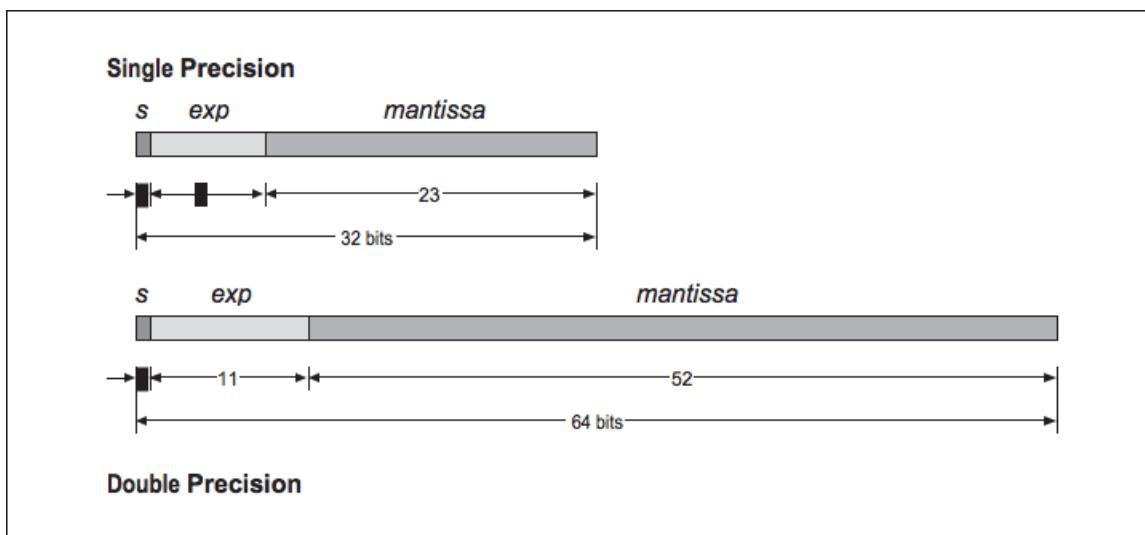


Figure 1.15

IEEE754	Minimum Normalized Number	Largest Finite Number	Base-10 Accuracy
Single	1.2E-38	3.4 E+38	6-9 digits
Double	2.2E-308	1.8 E+308	15-17 digits
Extended Double	3.4E-4932	1.2 E+4932	18-21 digits

Table 1.3: Range and Accuracy of IEEE 32- and 64-Bit Formats

## 1.2.7.3.1 Converting from Base-10 to IEEE Internal Format

We now examine how a 32-bit floating-point number is stored. The high-order bit is the sign of the number. Numbers are stored in a sign-magnitude format (i.e., not 2's - complement). The exponent is stored in the 8-bit field biased by adding 127 to the exponent. This results in an exponent ranging from -126 through +127.

The mantissa is converted into base-2 and normalized so that there is one nonzero digit to the left of the binary place, adjusting the exponent as necessary. The digits to the right of the binary point are then stored in the low-order 23 bits of the word. Because all numbers are normalized, there is no need to store the leading 1.

This gives a free extra bit of precision. Because this bit is dropped, it's no longer proper to refer to the stored value as the mantissa. In IEEE parlance, this mantissa minus its leading digit is called the *significand*.

Figure 1.16 (Converting from base-10 to IEEE 32-bit format) shows an example conversion from base-10 to IEEE 32-bit format.

## Converting from base-10 to IEEE 32-bit format

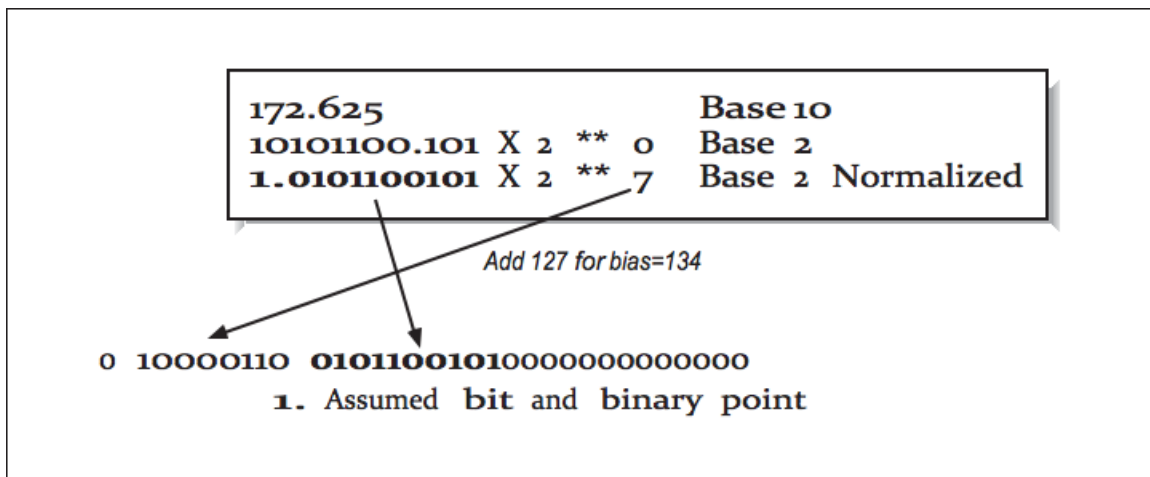


Figure 1.16

The 64-bit format is similar, except the exponent is 11 bits long, biased by adding 1023 to the exponent, and the significand is 54 bits long.

### 1.2.8 IEEE Operations<sup>29</sup>

The IEEE standard specifies how computations are to be performed on floating-point values on the following operations:

- Addition
- Subtraction
- Multiplication
- Division
- Square root
- Remainder (modulo)
- Conversion to/from integer
- Conversion to/from printed base-10

These operations are specified in a machine-independent manner, giving flexibility to the CPU designers to implement the operations as efficiently as possible while maintaining compliance with the standard. During operations, the IEEE standard requires the maintenance of two guard digits and a sticky bit for intermediate values. The guard digits above and the sticky bit are used to indicate if any of the bits beyond the second guard digit is nonzero.

<sup>29</sup>This content is available online at <<http://cnx.org/content/m32756/1.3/>>.

---

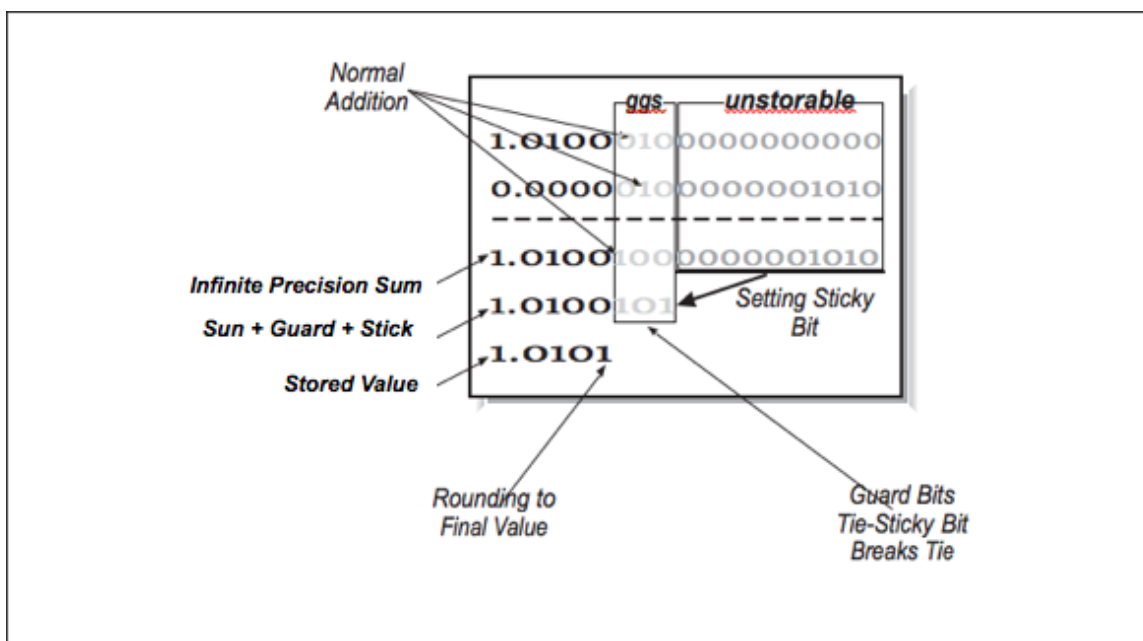
 Computation using guard and sticky bits


Figure 1.17

---

In Figure 1.17 (Computation using guard and sticky bits), we have five bits of normal precision, two guard digits, and a sticky bit. Guard bits simply operate as normal bits — as if the significand were 25 bits. Guard bits participate in rounding as the extended operands are added. The sticky bit is set to 1 if any of the bits beyond the guard bits is nonzero in either operand.<sup>30</sup> Once the extended sum is computed, it is rounded so that the value stored in memory is the closest possible value to the extended sum including the guard digits. Table 1.4 shows all eight possible values of the two guard digits and the sticky bit and the resulting stored value with an explanation as to why.

<sup>30</sup>If you are somewhat hardware-inclined and you think about it for a moment, you will soon come up with a way to properly maintain the sticky bit without ever computing the full “infinite precision sum.” You just have to keep track as things get shifted around.

Extended Sum	Stored Value	Why
1.0100 000	1.0100	Truncated based on guard digits
1.0100 001	1.0100	Truncated based on guard digits
1.0100 010	1.0100	Rounded down based on guard digits
1.0100 011	1.0100	Rounded down based on guard digits
1.0100 100	1.0100	Rounded down based on sticky bit
1.0100 101	1.0101	Rounded up based on sticky bit
1.0100 110	1.0101	Rounded up based on guard digits
1.0100 111	1.0101	Rounded up based on guard digits

**Table 1.4:** Extended Sums and Their Stored Values

The first priority is to check the guard digits. Never forget that the sticky bit is just a hint, not a real digit. So if we can make a decision without looking at the sticky bit, that is good. The only decision we are making is to round the last storable bit up or down. When that stored value is retrieved for the next computation, its guard digits are set to zeros. It is sometimes helpful to think of the stored value as having the guard digits, but set to zero.

Two guard digits and the sticky bit in the IEEE format insures that operations yield the same rounding as if the intermediate result were computed using unlimited precision and then rounded to fit within the limits of precision of the final computed value.

At this point, you might be asking, “Why do I care about this minutiae?” At some level, unless you are a hardware designer, you don’t care. But when you examine details like this, you can be assured of one thing: when they developed the IEEE floating-point standard, they looked at the details very carefully. The goal was to produce the most accurate possible floating-point standard within the constraints of a fixed-length 32- or 64-bit format. Because they did such a good job, it’s one less thing you have to worry about. Besides, this stuff makes great exam questions.

### 1.2.9 Special Values<sup>31</sup>

In addition to specifying the results of operations on numeric data, the IEEE standard also specifies the precise behavior on undefined operations such as dividing by zero. These results are indicated using several special values. These values are bit patterns that are stored in variables that are checked before operations are performed. The IEEE operations are all defined on these special values in addition to the normal numeric values. Table 1.5: Special Values for an IEEE 32-Bit Number summarizes the special values for a 32-bit IEEE floating-point number.

**Special Values for an IEEE 32-Bit Number**

Special Value	Exponent	Significand
+ or - 0	00000000	0
Denormalized number	00000000	nonzero
NaN (Not a Number)	11111111	nonzero
+ or - Infinity	11111111	0

**Table 1.5**

<sup>31</sup>This content is available online at <<http://cnx.org/content/m32758/1.3/>>.



The value of the exponent and significand determines which type of special value this particular floating-point number represents. Zero is designed such that integer zero and floating-point zero are the same bit pattern.

Denormalized numbers can occur at some point as a number continues to get smaller, and the exponent has reached the minimum value. We could declare that minimum to be the smallest representable value. However, with denormalized values, we can continue by setting the exponent bits to zero and shifting the significand bits to the right, first adding the leading “1” that was dropped, then continuing to add leading zeros to indicate even smaller values. At some point the last nonzero digit is shifted off to the right, and the value becomes zero. This approach is called *gradual underflow* where the value keeps approaching zero and then eventually becomes zero. Not all implementations support denormalized numbers in hardware; they might trap to a software routine to handle these numbers at a significant performance cost.

At the top end of the biased exponent value, an exponent of all 1s can represent the *Not a Number* (NaN) value or infinity. Infinity occurs in computations roughly according to the principles of mathematics. If you continue to increase the magnitude of a number beyond the range of the floating-point format, once the range has been exceeded, the value becomes infinity. Once a value is infinity, further additions won’t increase it, and subtractions won’t decrease it. You can also produce the value infinity by dividing a nonzero value by zero. If you divide a nonzero value by infinity, you get zero as a result.

The NaN value indicates a number that is not mathematically defined. You can generate a NaN by dividing zero by zero, dividing infinity by infinity, or taking the square root of -1. The difference between infinity and NaN is that the NaN value has a nonzero significand. The NaN value is very sticky. Any operation that has a NaN as one of its inputs always produces a NaN result.

### 1.2.10 Exceptions and Traps<sup>32</sup>

In addition to defining the results of computations that aren’t mathematically defined, the IEEE standard provides programmers with the ability to detect when these special values are being produced. This way, programmers can write their code without adding extensive IF tests throughout the code checking for the magnitude of values. Instead they can register a trap handler for an event such as underflow and handle the event when it occurs. The exceptions defined by the IEEE standard include:

- Overflow to infinity
- Underflow to zero
- Division by zero
- Invalid operation
- Inexact operation

According to the standard, these traps are under the control of the user. In most cases, the compiler runtime library manages these traps under the direction from the user through compiler flags or runtime library calls. Traps generally have significant overhead compared to a single floating-point instruction, and if a program is continually executing trap code, it can significantly impact performance.

In some cases it’s appropriate to ignore traps on certain operations. A commonly ignored trap is the underflow trap. In many iterative programs, it’s quite natural for a value to keep reducing to the point where it “disappears.” Depending on the application, this may or may not be an error situation so this exception can be safely ignored.

If you run a program and then it terminates, you see a message such as:

```
Overflow handler called 10,000,000 times
```

It probably means that you need to figure out why your code is exceeding the range of the floating-point format. It probably also means that your code is executing more slowly because it is spending too much time in its error handlers.

<sup>32</sup>This content is available online at <<http://cnx.org/content/m32760/1.3/>>.

### 1.2.11 Compiler Issues<sup>33</sup>

The IEEE 754 floating-point standard does a good job describing how floating-point operations are to be performed. However, we generally don't write assembly language programs. When we write in a higher-level language such as FORTRAN, it's sometimes difficult to get the compiler to generate the assembly language you need for your application. The problems fall into two categories:

- The compiler is too conservative in trying to generate IEEE-compliant code and produces code that doesn't operate at the peak speed of the processor. On some processors, to fully support gradual underflow, extra instructions must be generated for certain instructions. If your code will never underflow, these instructions are unnecessary overhead.
- The optimizer takes liberties rewriting your code to improve its performance, eliminating some necessary steps. For example, if you have the following code:

```
Z = X + 500
Y = Z - 200
```

The optimizer may replace it with  $Y = X + 300$ . However, in the case of a value for  $X$  that is close to overflow, the two sequences may not produce the same result.

Sometimes a user prefers “fast” code that loosely conforms to the IEEE standard, and at other times the user will be writing a numerical library routine and need total control over each floating-point operation. Compilers have a challenge supporting the needs of both of these types of users. Because of the nature of the high performance computing market and benchmarks, often the “fast and loose” approach prevails in many compilers.

### 1.2.12 Closing Notes<sup>34</sup>

While this is a relatively long chapter with a lot of technical detail, it does not even begin to scratch the surface of the IEEE floating-point format or the entire field of numerical analysis. We as programmers must be careful about the accuracy of our programs, lest the results become meaningless. Here are a few basic rules to get you started:

- Look for compiler options that relax or enforce strict IEEE compliance and choose the appropriate option for your program. You may even want to change these options for different portions of your program.
- Use `REAL*8` for computations unless you are sure `REAL*4` has sufficient precision. Given that `REAL*4` has roughly 7 digits of precision, if the bottom digits become meaningless due to rounding and computations, you are in some danger of seeing the effect of the errors in your results. `REAL*8` with 13 digits makes this much less likely to happen.
- Be aware of the relative magnitude of numbers when you are performing additions.
- When summing up numbers, if there is a wide range, sum from smallest to largest.
- Perform multiplications before divisions whenever possible.
- When performing a comparison with a computed value, check to see if the values are “close” rather than identical.
- Make sure that you are not performing any unnecessary type conversions during the critical portions of your code.

---

<sup>33</sup>This content is available online at <http://cnx.org/content/m32762/1.3/>.

<sup>34</sup>This content is available online at <http://cnx.org/content/m32768/1.3/>.

An excellent reference on floating-point issues and the IEEE format is “What Every Computer Scientist Should Know About Floating-Point Arithmetic,” written by David Goldberg, in ACM Computing Surveys magazine (March 1991). This article gives examples of the most common problems with floating-point and outlines the solutions. It also covers the IEEE floating-point format very thoroughly. I also recommend you consult Dr. William Kahan’s home page (<http://www.cs.berkeley.edu/~wkahan/><sup>35</sup>) for some excellent materials on the IEEE format and challenges using floating-point arithmetic. Dr. Kahan was one of the original designers of the Intel i8087 and the IEEE 754 floating-point format.

### 1.2.13 Exercises<sup>36</sup>

#### Exercise 1.2.13.1

Run the following code to count the number of inverses that are not perfectly accurate:

```
REAL*4 X,Y,Z
INTEGER I
I = 0
DO X=1.0,1000.0,1.0
  Y = 1.0 / X
  Z = Y * X
  IF ( Z .NE. 1.0 ) THEN
    I = I + 1
  ENDIF
ENDDO
PRINT *, 'Found ', I
END
```

#### Exercise 1.2.13.2

Change the type of the variables to `REAL*8` and repeat. Make sure to keep the optimization at a sufficiently low level (-O0) to keep the compiler from eliminating the computations.

#### Exercise 1.2.13.3

Write a program to determine the number of digits of precision for `REAL*4` and `REAL*8`.

#### Exercise 1.2.13.4

Write a program to demonstrate how summing an array forward to backward and backward to forward can yield a different result.

#### Exercise 1.2.13.5

Assuming your compiler supports varying levels of IEEE compliance, take a significant computational code and test its overall performance under the various IEEE compliance options. Do the results of the program change?

<sup>35</sup><http://www.cs.berkeley.edu/~wkahan/>

<sup>36</sup>This content is available online at <<http://cnx.org/content/m32765/1.3/>>.



## Chapter 2

# Programming and Tuning Software

## 2.1 What a Compiler Does

### 2.1.1 Introduction<sup>1</sup>

#### 2.1.1.1 What a Compiler Does

The goal of an *optimizing compiler* is the efficient translation of a higher-level language into the fastest possible machine language that accurately represents the high-level language source. What makes a representation good is: it gives the correct answers, and it executes quickly.

Naturally, it makes no difference how fast a program runs if it doesn't produce the right answers.<sup>2</sup> But given an expression of a program that executes correctly, an optimizing compiler looks for ways to streamline it. As a first cut, this usually means simplifying the code, throwing out extraneous instructions, and sharing intermediate results between statements. More advanced optimizations seek to restructure the program and may actually make the code grow in size, though the number of instructions executed will (hopefully) shrink.

When it comes to finally generating machine language, the compiler has to know about the registers and rules for issuing instructions. For performance, it needs to understand the costs of those instructions and the latencies of machine resources, such as the pipelines. This is especially true for processors that can execute more than one instruction at a time. It takes a balanced instruction mix — the right proportion of floating-point, fixed point, memory and branch operations, etc. — to keep the machine busy.

Initially compilers were tools that allowed us to write in something more readable than assembly language. Today they border on artificial intelligence as they take our high-level source code and translate it into highly optimized machine language across a wide variety of single- and multiple-processor architectures. In the area of high performance computing, the compiler at times has a greater impact on the performance of our program than either the processor or memory architecture. Throughout the history of high performance computing, if we are not satisfied with the performance of our program written in a high-level language, we will gladly rewrite all or part of the program in assembly language. Thankfully, today's compilers usually make that step unnecessary.

In this chapter we cover the basic operation of optimizing compilers. In a later chapter we will cover the techniques used to analyze and compile programs for advanced architectures such as parallel or vector processing systems. We start our look at compilers examining how the relationship between programmers and their compilers has changed over time.

---

<sup>1</sup>This content is available online at <<http://cnx.org/content/m33690/1.3/>>.

<sup>2</sup>However, you can sometimes trade accuracy for speed.

### 2.1.2 History of Compilers<sup>3</sup>

If you have been in high performance computing since its beginning in the 1950s, you have programmed in several languages during that time. During the 1950s and early 1960s, you programmed in assembly language. The constraint on memory and slow clock rates made every instruction precious. With small memories, overall program size was typically small, so assembly language was sufficient. Toward the end of the 1960s, programmers began writing more of their code in a high-level language such as FORTRAN. Writing in a high-level language made your work much more portable, reliable, and maintainable. Given the increasing speed and capacity of computers, the cost of using a high-level language was something most programmers were willing to accept. In the 1970s if a program spent a particularly large amount of time in a particular routine, or the routine was part of the operating system or it was a commonly used library, most likely it was written in assembly language.

During the late 1970s and early 1980s, *optimizing compilers* continued to improve to the point that all but the most critical portions of general-purpose programs were written in high-level languages. On the average, the compilers generate better code than most assembly language programmers. This was often because a compiler could make better use of hardware resources such as registers. In a processor with 16 registers, a programmer might adopt a convention regarding the use of registers to help keep track of what value is in what register. A compiler can use each register as much as it likes because it can precisely track when a register is available for another use.

However, during that time, high performance computer architecture was also evolving. Cray Research was developing vector processors at the very top end of the computing spectrum. Compilers were not quite ready to determine when these new vector instructions could be used. Programmers were forced to write assembly language or create highly hand-tuned FORTRAN that called the appropriate vector routines in their code. In a sense, vector processors turned back the clock when it came to trusting the compiler for a while. Programmers never lapsed completely into assembly language, but some of their FORTRAN started looking rather un-FORTRAN like. As the vector computers matured, their compilers became increasingly able to detect when vectorization could be performed. At some point, the compilers again became better than programmers on these architectures. These new compilers reduced the need for extensive directives or language extensions.<sup>4</sup>

The RISC revolution led to an increasing dependence on the compiler. Programming early RISC processors such as the Intel i860 was painful compared to CISC processors. Subtle differences in the way a program was coded in machine language could have a significant impact on the overall performance of the program. For example, a programmer might have to count the instruction cycles between a load instruction and the use of the results of the load in a computational instruction. As superscalar processors were developed, certain pairs of instructions could be issued simultaneously, and others had to be issued serially. Because there were a large number of different RISC processors produced, programmers did not have time to learn the nuances of wringing the last bit of performance out of each processor. It was much easier to lock the processor designer and the compiler writer together (hopefully they work for the same company) and have them hash out the best way to generate the machine code. Then everyone would use the compiler and get code that made reasonably good use of the hardware.

The compiler became an important tool in the processor design cycle. Processor designers had much greater flexibility in the types of changes they could make. For example, it would be a good design in the next revision of a processor to execute existing codes 10% slower than a new revision, but by recompiling the code, it would perform 65% faster. Of course it was important to actually provide that compiler when the new processor was shipped and have the compiler give that level of performance across a wide range of codes rather than just one particular benchmark suite.

<sup>3</sup>This content is available online at <<http://cnx.org/content/m33686/1.3/>>.

<sup>4</sup>The Livermore Loops was a benchmark that specifically tested the capability of a compiler to effectively optimize a set of loops. In addition to being a performance benchmark, it was also a compiler benchmark.

### 2.1.3 Which Language To Optimize<sup>5</sup>

It has been said, “I don’t know what language they will be using to program high performance computers 10 years from now, but we do know it will be called FORTRAN.” At the risk of inciting outright warfare, we need to discuss the strengths and weaknesses of languages that are used for high performance computing. Most computer scientists (not computational scientists) train on a steady diet of C, C++,<sup>6</sup> or some other language focused on data structures or objects. When students encounter high performance computing for the first time, there is an immediate desire to keep programming in their favorite language. However, to get the peak performance across a wide range of architectures, FORTRAN is the only practical language.

When students ask why this is, usually the first answer is, “Because it has always been that way.” In one way this is correct. Physicists, mechanical engineers, chemists, structural engineers, and meteorologists do most programming on high performance computers. FORTRAN is the language of those fields. (When was the last time a computer science student wrote a properly working program that computed for a week?) So naturally the high performance computer vendors put more effort into making FORTRAN work well on their architecture.

This is not the only reason that FORTRAN is a better language, however. There are some fundamental elements that make C, C++, or any data structures-oriented language unsuitable for high performance programming. In a word, that problem is *pointers*. Pointers (or addresses) are the way good computer scientists construct linked lists, binary trees, binomial queues, and all those nifty data structures. The problem with pointers is that the effect of a pointer operation is known only at execution time when the value of the pointer is loaded from memory. Once an optimizing compiler sees a pointer, all bets are off. It cannot make any assumptions about the effect of a pointer operation at compile time. It must generate conservative (less optimized) code that simply does exactly the same operation in machine code that the high-level language described.

While the lack of pointers in FORTRAN is a boon to optimization, it seriously limits the programmer’s ability to create data structures. In some applications, especially highly scalable network-based applications, the use of good data structures can significantly improve the overall performance of the application. To solve this, in the FORTRAN 90 specification, pointers have been added to FORTRAN. In some ways, this was an attempt by the FORTRAN community to keep programmers from beginning to use C in their applications for the data structure areas of their applications. If programmers begin to use pointers throughout their codes, their FORTRAN programs will suffer from the same problems that inhibit optimization in C programs. In a sense FORTRAN has given up its primary advantage over C by trying to be more like C. The debate over pointers is one reason that the adoption rate of FORTRAN 90 somewhat slowed. Many programmers prefer to do their data structure, communications, and other bookkeeping work in C, while doing the computations in FORTRAN 77.

FORTRAN 90 also has strengths and weaknesses when compared to FORTRAN 77 on high performance computing platforms. FORTRAN 90 has a strong advantage over FORTRAN 77 in the area of improved semantics that enable more opportunities for advanced optimizations. This advantage is especially true on distributed memory systems on which data decomposition is a significant factor. (See Section 4.1.1.) However, until FORTRAN 90 becomes popular, vendors won’t be motivated to squeeze the last bit of performance out of FORTRAN 90.

So while FORTRAN 77 continues to be the mainstream language for high performance computing for the near future, other languages, like C and FORTRAN 90, have their limited and potentially increasing roles to play. In some ways the strongest potential challenger to FORTRAN in the long run may come in the form of a numerical tool set such as Matlab. However, packages such as Matlab have their own set of optimization challenges that must be overcome before they topple FORTRAN 77’s domination.

<sup>5</sup>This content is available online at <<http://cnx.org/content/m33687/1.3/>>.

<sup>6</sup>Just for the record, both the authors of this book are quite accomplished in C, C++, and FORTRAN, so they have no preconceived notions.

### 2.1.4 Optimizing Compiler Tour<sup>7</sup>

We will start by taking a walk through an optimizing compiler to see one at work. We think it's interesting, and if you can empathize with the compiler, you will be a better programmer; you will know what the compiler wants from you, and what it can do on its own.

#### 2.1.4.1 Compilation Process

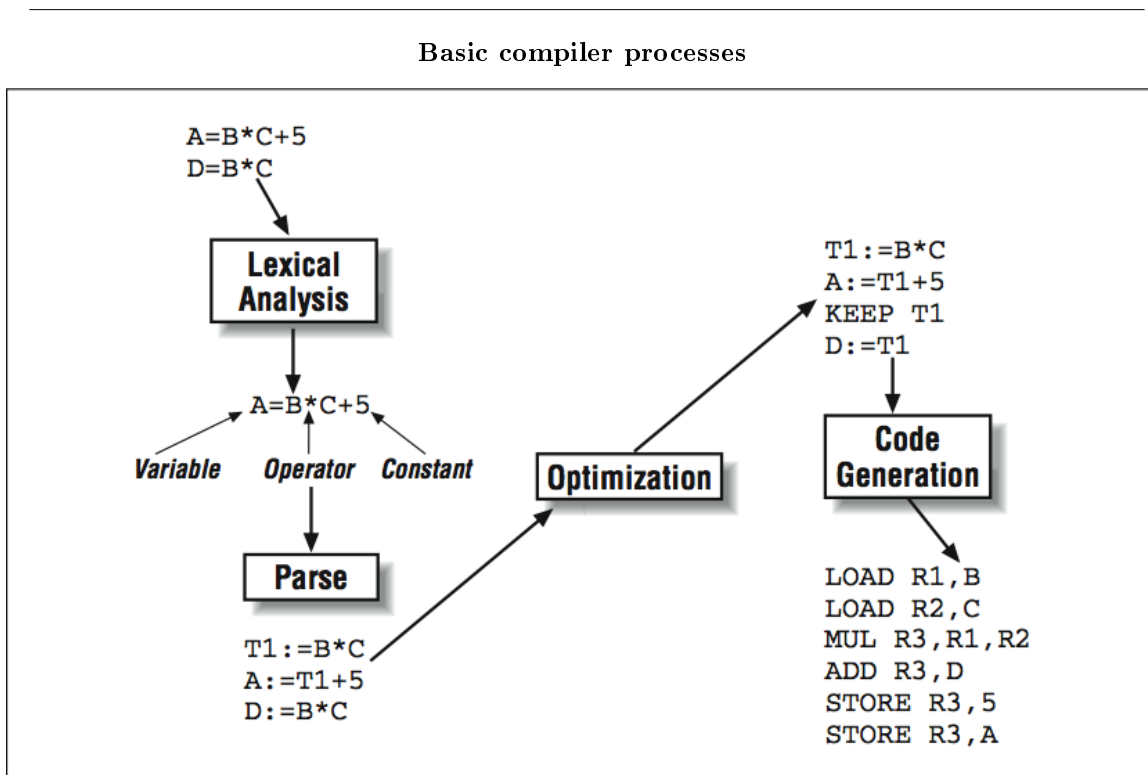


Figure 2.1

The compilation process is typically broken down into a number of identifiable steps, as shown in Figure 2.1 (Basic compiler processes). While not all compilers are implemented in exactly this way, it helps to understand the different functions a compiler must perform:

1. A precompiler or preprocessor phase is where some simple textual manipulation of the source code is performed. The preprocessing step can be processing of include files and making simple string substitutions throughout the code.
2. The lexical analysis phase is where the incoming source statements are decomposed into tokens such as variables, constants, comments, or language elements.
3. The parsing phase is where the input is checked for syntax, and the compiler translates the incoming program into an intermediate language that is ready for optimization.

<sup>7</sup>This content is available online at <http://cnx.org/content/m33694/1.3/>.



4. One or more optimization passes are performed on the intermediate language.
5. An object code generator translates the intermediate language into assembly code, taking into consideration the particular architectural details of the processor in question.

As compilers become more and more sophisticated in order to wring the last bit of performance from the processor, some of these steps (especially the optimization and code-generation steps) become more and more blurred. In this chapter, we focus on the traditional optimizing compiler, and in later chapters we will look more closely at how modern compilers do more sophisticated optimizations.

### 2.1.4.2 Intermediate Language Representation

Because we are most interested in the optimization of our program, we start our discussion at the output of the parse phase of the compiler. The parse phase output is in the form of an *intermediate language* (IL) that is somewhere between a high-level language and assembly language. The intermediate language expresses the same calculations that were in the original program, in a form the compiler can manipulate more easily. Furthermore, instructions that aren't present in the source, such as address expressions for array references, become visible along with the rest of the program, making them subject to optimizations too.

How would an intermediate language look? In terms of complexity, it's similar to assembly code but not so simple that the definitions<sup>8</sup> and uses of variables are lost. We'll need definition and use information to analyze the flow of data through the program. Typically, calculations are expressed as a stream of *quadruples* — statements with exactly one operator, (up to) two operands, and a result.<sup>9</sup> Presuming that anything in the original source program can be recast in terms of quadruples, we have a usable intermediate language. To give you an idea of how this works, We're going to rewrite the statement below as a series of four quadruples:

$$A = -B + C * D / E$$

Taken all at once, this statement has four operators and four operands: /, \*, +, and - (negate), and B, C, D, and E. This is clearly too much to fit into one quadruple. We need a form with exactly one operator and, at most, two operands per statement. The recast version that follows manages to do this, employing temporary variables to hold the intermediate results:

$$\begin{aligned} T1 &= D / E \\ T2 &= C * T1 \\ T3 &= -B \\ A &= T3 + T2 \end{aligned}$$

A workable intermediate language would, of course, need some other features, like pointers. We're going to suggest that we create our own intermediate language to investigate how optimizations work. To begin, we need to establish a few rules:

- Instructions consist of one opcode, two operands, and a result. Depending on the instruction, the operands may be empty.
- Assignments are of the form  $X := Y \text{ op } Z$ , meaning  $X$  gets the result of  $\text{op}$  applied to  $Y$  and  $Z$ .
- All memory references are explicit load from or store to "temporaries"  $t_n$ .
- Logical values used in branches are calculated separately from the actual branch.

<sup>8</sup>By "definitions," we mean the assignment of values: not declarations.

<sup>9</sup>More generally, code can be cast as  $n$ -tuples. It depends on the level of the intermediate language.

- Jumps go to absolute addresses.

If we were building a compiler, we'd need to be a little more specific. For our purposes, this will do. Consider the following bit of C code:

```
while (j < n) {
    k = k + j * 2;
    m = j * 2;
    j++;
}
```

This loop translates into the intermediate language representation shown here:

```
A:: t1 := j
    t2 := n
    t3 := t1 < t2
    jmp (B) t3
    jmp (C) TRUE

B:: t4 := k
    t5 := j
    t6 := t5 * 2
    t7 := t4 + t6
    k := t7
    t8 := j
    t9 := t8 * 2
    m := t9
    t10 := j
    t11 := t10 + 1
    j := t11
    jmp (A) TRUE

C::
```

Each C source line is represented by several IL statements. On many RISC processors, our IL code is so close to machine language that we could turn it directly into object code.<sup>10</sup> Often the lowest optimization level does a literal translation from the intermediate language to machine code. When this is done, the code generally is very large and performs very poorly. Looking at it, you can see places to save a few instructions. For instance, `j` gets loaded into temporaries in four places; surely we can reduce that. We have to do some analysis and make some optimizations.

### 2.1.4.3 Basic Blocks

After generating our intermediate language, we want to cut it into *basic blocks*. These are code sequences that start with an instruction that either follows a branch or is itself a target for a branch. Put another

<sup>10</sup>See Section 5.2.1 for some examples of machine code translated directly from intermediate language.

way, each basic block has one entrance (at the top) and one exit (at the bottom). Figure 2.2 (Intermediate language divided into basic blocks) represents our IL code as a group of three basic blocks. Basic blocks make code easier to analyze. By restricting flow of control within a basic block from top to bottom and eliminating all the branches, we can be sure that if the first statement gets executed, the second one does too, and so on. Of course, the branches haven't disappeared, but we have forced them outside the blocks in the form of the connecting arrows — the *flow graph*.

Intermediate language divided into basic blocks

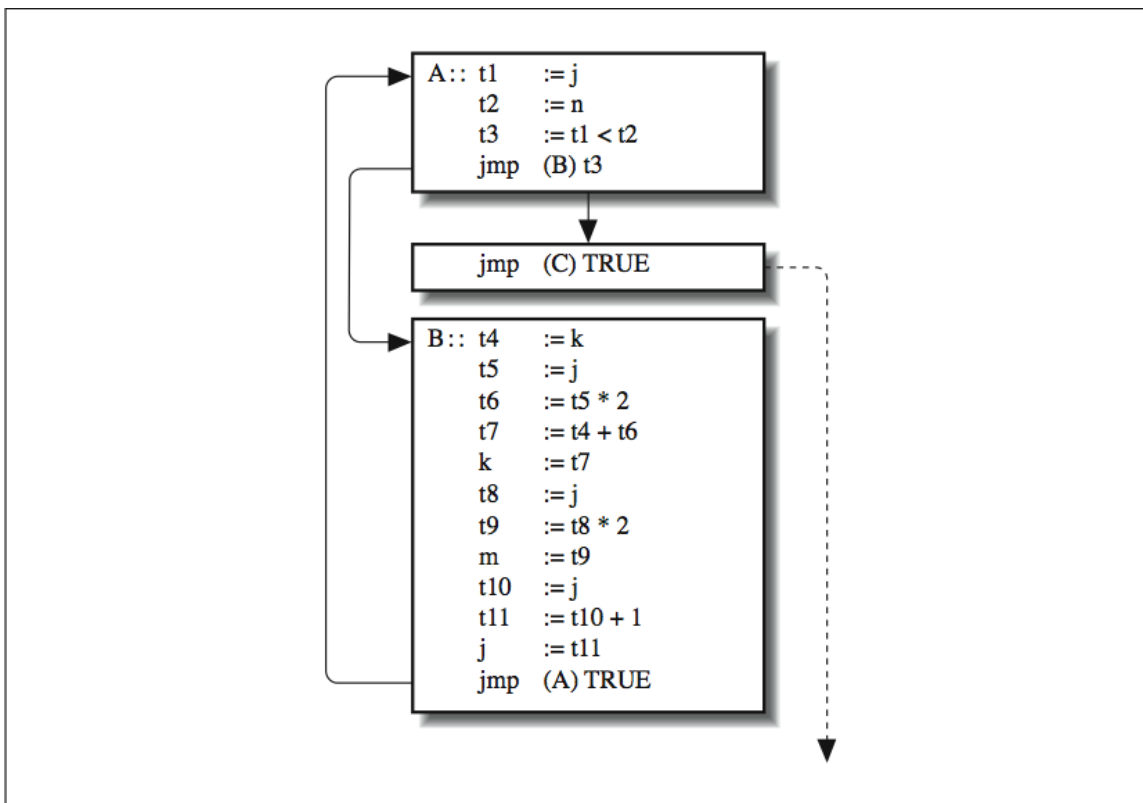


Figure 2.2

We are now free to extract information from the blocks themselves. For instance, we can say with certainty which variables a given block uses and which variables it defines (sets the value of). We might not be able to do that if the block contained a branch. We can also gather the same kind of information about the calculations it performs. After we have analyzed the blocks so that we know what goes in and what comes out, we can modify them to improve performance and just worry about the interaction between blocks.

### 2.1.5 Optimization Levels<sup>11</sup>

There are a wide variety of optimization techniques, and they are not all applicable in all situations. So the user is typically given some choices as to whether or not particular optimizations are performed. Often this

<sup>11</sup>This content is available online at <<http://cnx.org/content/m33692/1.3/>>.

is expressed in the form of an *optimization level* that is specified on the compiler as a command-line option such as `-O3`.

The different levels of optimization controlled by a compiler flag may include the following:

- *No optimization*: Generates machine code directly from the intermediate language, which can be very large and slow code. The primary uses of no optimization are for debuggers and establishing the correct program output. Because every operation is done precisely as the user specified, it must be right.
- *Basic optimizations*: Similar to those described in this chapter. They generally work to minimize the intermediate language and generate fast compact code.
- *Interprocedural analysis*: Looks beyond the boundaries of a single routine for optimization opportunities. This optimization level might include extending a basic optimization such as copy propagation across multiple routines. Another result of this technique is procedure inlining where it will improve performance.
- *Runtime profile analysis*: It is possible to use runtime profiles to help the compiler generate improved code based on its knowledge of the patterns of runtime execution gathered from profile information.
- *Floating-point optimizations*: The IEEE floating-point standard (IEEE 754) specifies precisely how floating-point operations are performed and the precise side effects of these operations. The compiler may identify certain algebraic transformations that increase the speed of the program (such as replacing a division with a reciprocal and a multiplication) but might change the output results from the unoptimized code.
- *Data flow analysis*: Identifies potential parallelism between instructions, blocks, or even successive loop iterations.
- *Advanced optimization*: May include automatic vectorization, parallelization, or data decomposition on advanced architecture computers.

These optimizations might be controlled by several different compiler options. It often takes some time to figure out the best combination of compiler flags for a particular code or set of codes. In some cases, programmers compile different routines using different optimization settings for best overall performance.

## 2.1.6 Classical Optimizations<sup>12</sup>

Once the intermediate language is broken into basic blocks, there are a number of optimizations that can be performed on the code in these blocks. Some optimizations are very simple and affect a few tuples within a basic block. Other optimizations move code from one basic block to another without altering the program results. For example, it is often valuable to move a computation from the body of a loop to the code immediately preceding the loop.

In this section, we are going to list classical optimizations by name and tell you what they are for. We're not suggesting that *you* make the changes; most compilers since the mid-1980s automatically perform these optimizations at all but their lowest optimization level. As we said at the start of the chapter, if you understand what the compiler can (and can't) do, you will become a better programmer because you will be able to play to the compiler's strengths.

### 2.1.6.1 Copy Propagation

To start, let's look at a technique for untangling calculations. Take a look at the following segment of code: notice the two computations involving `X`.

```
X = Y
```

---

<sup>12</sup>This content is available online at <http://cnx.org/content/m33696/1.3/>.

```
Z = 1.0 + X
```

As written, the second statement requires the results of the first before it can proceed — you need **X** to calculate **Z**. Unnecessary dependencies could translate into a delay at runtime.<sup>13</sup> With a little bit of rearrangement we can make the second statement independent of the first, by *propagating* a copy of **Y**. The new calculation for **Z** uses the value of **Y** directly:

```
X = Y
Z = 1.0 + Y
```

Notice that we left the first statement, **X=Y**, intact. You may ask, “Why keep it?” The problem is that we can’t tell whether the value of **X** is needed elsewhere. That is something for another analysis to decide. If it turns out that no other statement needs the new value of **X**, the assignment is eliminated later by dead code removal.

### 2.1.6.2 Constant Folding

A clever compiler can find constants throughout your program. Some of these are “obvious” constants like those defined in parameter statements. Others are less obvious, such as local variables that are never redefined. When you combine them in a calculation, you get a *constant expression*. The little program below has two constants, **I** and **K**:

```
PROGRAM MAIN
INTEGER I,K
PARAMETER (I = 100)
K = 200
J = I + K
END
```

Because **I** and **K** are constant individually, the combination **I+K** is constant, which means that **J** is a constant too. The compiler reduces constant expressions like **I+K** into constants with a technique called *constant folding*.

How does constant folding work? You can see that it is possible to examine every path along which a given variable could be defined en route to a particular basic block. If you discover that all paths lead back to the same value, that is a constant; you can replace all references to that variable with that constant. This replacement has a ripple-through effect. If the compiler finds itself looking at an expression that is made up solely of constants, it can evaluate the expression at compile time and replace it with a constant. After several iterations, the compiler will have located most of the expressions that are candidates for constant folding.

A programmer can sometimes improve performance by making the compiler aware of the constant values in your application. For example, in the following code segment:

```
X = X * Y
```

---

<sup>13</sup>This code is an example of a flow dependence. I describe dependencies in detail in Section 3.1.1.

the compiler may generate quite different runtime code if it knew that  $Y$  was 0, 1, 2, or 175.32. If it does not know the value for  $Y$ , it must generate the most conservative (not necessarily the fastest) code sequence. A programmer can communicate these values through the use of the `PARAMETER` statement in FORTRAN. By the use of a parameter statement, the compiler knows the values for these constants at runtime. Another example we have seen is:

```
DO I = 1,10000
  DO J=1,IDIM
    . . . . .
  ENDDO
ENDDO
```

After looking at the code, it's clear that `IDIM` was either 1, 2, or 3, depending on the data set in use. Clearly if the compiler knew that `IDIM` was 1, it could generate much simpler and faster code.

### 2.1.6.3 Dead Code Removal

Programs often contain sections of *dead code* that have no effect on the answers and can be removed. Occasionally, dead code is written into the program by the author, but a more common source is the compiler itself; many optimizations produce dead code that needs to be swept up afterwards.

Dead code comes in two types:

- Instructions that are unreachable
- Instructions that produce results that are never used

You can easily write some unreachable code into a program by directing the flow of control around it — permanently. If the compiler can tell it's unreachable, it will eliminate it. For example, it's impossible to reach the statement `I = 4` in this program:

```
PROGRAM MAIN
  I = 2
  WRITE (*,*) I
  STOP
  I = 4
  WRITE (*,*) I
END
```

The compiler throws out everything after the `STOP` statement and probably gives you a warning. Unreachable code produced by the compiler during optimization will be quietly whisked away.

Computations with local variables can produce results that are never used. By analyzing a variable's definitions and uses, the compiler can see whether any other part of the routine references it. Of course the compiler can't tell the ultimate fate of variables that are passed between routines, external or common, so those computations are always kept (as long as they are reachable).<sup>14</sup> In the following program, computations involving `k` contribute nothing to the final answer and are good candidates for dead code elimination:

<sup>14</sup>If a compiler does sufficient interprocedural analysis, it can even optimize variables across routine boundaries. Interprocedural analysis can be the bane of benchmark codes trying to time a computation without using the results of the computation.

```

main ()
{
    int i,k;
    i = k = 1;
    i += 1;
    k += 2;
    printf ("%d\n",i);
}

```

Dead code elimination has often produced some amazing benchmark results from poorly written benchmarks. See for an example of this type of code.

#### 2.1.6.4 Strength Reduction

Operations or expressions have time costs associated with them. Sometimes it's possible to replace a more expensive calculation with a cheaper one. We call this *strength reduction*. The following code fragment contains two expensive operations:

```

REAL X,Y
Y = X**2
J = K*2

```

For the exponentiation operation on the first line, the compiler generally makes an embedded mathematical subroutine library call. In the library routine,  $X$  is converted to a logarithm, multiplied, then converted back. Overall, raising  $X$  to a power is expensive — taking perhaps hundreds of machine cycles. The key is to notice that  $X$  is being raised to a small integer power. A much cheaper alternative would be to express it as  $X*X$ , and pay only the cost of multiplication. The second statement shows integer multiplication of a variable  $K$  by 2. Adding  $K+K$  yields the same answer, but takes less time.

There are many opportunities for compiler-generated strength reductions; these are just a couple of them. We will see an important special case when we look at induction variable simplification. Another example of a strength reduction is replacing multiplications by integer powers of two by logical shifts.

#### 2.1.6.5 Variable Renaming

In Section 5.1.1, we talked about register renaming. Some processors can make runtime decisions to replace all references to register 1 with register 2, for instance, to eliminate bottlenecks. Register renaming keeps instructions that are recycling the same registers for different purposes from having to wait until previous instructions have finished with them.

The same situation can occur in programs — the same variable (i.e., memory location) can be recycled for two unrelated purposes. For example, see the variable  $x$  in the following fragment:

```

x = y * z;
q = r + x + x;

```

```
x = a + b;
```

When the compiler recognizes that a variable is being recycled, and that its current and former uses are independent, it can substitute a new variable to keep the calculations separate:

```
x0 = y * z;
q = r + x0 + x0;
x = a + b;
```

*Variable renaming* is an important technique because it clarifies that calculations are independent of each other, which increases the number of things that can be done in parallel.

#### 2.1.6.6 Common Subexpression Elimination

Subexpressions are pieces of expressions. For instance,  $A+B$  is a subexpression of  $C*(A+B)$ . If  $A+B$  appears in several places, like it does below, we call it a *common subexpression*:

```
D = C * (A + B)
E = (A + B)/2.
```

Rather than calculate  $A + B$  twice, the compiler can generate a temporary variable and use it wherever  $A + B$  is required:

```
temp = A + B
D = C * temp
E = temp/2.
```

Different compilers go to different lengths to find common subexpressions. Most pairs, such as  $A+B$ , are recognized. Some can recognize reuse of intrinsics, such as  $\text{SIN}(X)$ . Don't expect the compiler to go too far though. Subexpressions like  $A+B+C$  are not computationally equivalent to reassociated forms like  $B+C+A$ , even though they are algebraically the same. In order to provide predictable results on computations, FORTRAN must either perform operations in the order specified by the user or reorder them in a way to guarantee exactly the same result. Sometimes the user doesn't care which way  $A+B+C$  associates, but the compiler cannot assume the user does not care.

Address calculations provide a particularly rich opportunity for common subexpression elimination. You don't see the calculations in the source code; they're generated by the compiler. For instance, a reference to an array element  $A(I, J)$  may translate into an intermediate language expression such as:

```
address(A) + (I-1)*sizeof_datatype(A)
+ (J-1)*sizeof_datatype(A) * column_dimension(A)
```



If  $A(I, J)$  is used more than once, we have multiple copies of the same address computation. Common subexpression elimination will (hopefully) discover the redundant computations and group them together.

### 2.1.6.7 Loop-Invariant Code Motion

Loops are where many high performance computing programs spend a majority of their time. The compiler looks for every opportunity to move calculations out of a loop body and into the surrounding code. Expressions that don't change after the loop is entered (*loop-invariant expressions*) are prime targets. The following loop has two loop-invariant expressions:

```
DO I=1,N
  A(I) = B(I) + C * D
  E = G(K)
ENDDO
```

Below, we have modified the expressions to show how they can be moved to the outside:

```
temp = C * D
DO I=1,N
  A(I) = B(I) + temp
ENDDO
E = G(K)
```

It is possible to move code before or after the loop body. As with common subexpression elimination, address arithmetic is a particularly important target for loop-invariant code motion. Slowly changing portions of index calculations can be pushed into the suburbs, to be executed only when needed.

### 2.1.6.8 Induction Variable Simplification

Loops can contain what are called *induction variables*. Their value changes as a linear function of the loop iteration count. For example,  $K$  is an induction variable in the following loop. Its value is tied to the loop index:

```
DO I=1,N
  K = I*4 + M
  ...
ENDDO
```

*Induction variable simplification* replaces calculations for variables like  $K$  with simpler ones. Given a starting point and the expression's first derivative, you can arrive at  $K$ 's value for the  $n$ th iteration by stepping through the  $n-1$  intervening iterations:

```

K = M
DO I=1,N
  K = K + 4
  ...
ENDDO

```

The two forms of the loop aren't equivalent; the second won't give you the value of *K* given any value of *I*. Because you can't jump into the middle of the loop on the *n*th iteration, *K* always takes on the same values it would have if we had kept the original expression.

Induction variable simplification probably wouldn't be a very important optimization, except that array address calculations look very much like the calculation for *K* in the example above. For instance, the address calculation for *A(I)* within a loop iterating on the variable *I* looks like this:

```
address = base_address(A) + (I-1) * sizeof_datatype(A)
```

Performing all that math is unnecessary. The compiler can create a new induction variable for references to *A* and simplify the address calculations:

```

outside the loop...
address = base_address(A) - (1 * sizeof_datatype(A))
inside the loop...
address = address + sizeof_datatype(A)

```

Induction variable simplification is especially useful on processors that can automatically increment a register each time it is used as a pointer for a memory reference. While stepping through a loop, the memory reference and the address arithmetic can both be squeezed into a single instruction—a great savings.

### 2.1.6.9 Object Code Generation

Precompilation, lexical analysis, parsing, and many optimization techniques are somewhat portable, but code generation is very specific to the target processor. In some ways this phase is where compilers earn their keep on single-processor RISC systems.

Anything that isn't handled in hardware has to be addressed in software. That means if the processor can't resolve resource conflicts, such as overuse of a register or pipeline, then the compiler is going to have to take care of it. Allowing the compiler to take care of it isn't necessarily a bad thing — it's a design decision. A complicated compiler and simple, fast hardware might be cost effective for certain applications. Two processors at opposite ends of this spectrum are the MIPS R2000 and the HP PA-8000. The first depends heavily on the compiler to schedule instructions and fairly distribute resources. The second manages both things at runtime, though both depend on the compiler to provide a balanced instruction mix.

In all computers, register selection is a challenge because, in spite of their numbers, registers are precious. You want to be sure that the most active variables become register resident at the expense of others. On machines without register renaming (see Section 5.1.1), you have to be sure that the compiler doesn't try to recycle registers too quickly, otherwise the processor has to delay computations as it waits for one to be freed.

Some instructions in the repertoire also save your compiler from having to issue others. Examples are auto-increment for registers being used as array indices or conditional assignments in lieu of branches. These both save the processor from extra calculations and make the instruction stream more compact.

Lastly, there are opportunities for increased parallelism. Programmers generally think serially, specifying steps in logical succession. Unfortunately, serial source code makes serial object code. A compiler that hopes to efficiently use the parallelism of the processor will have to be able to move instructions around and find operations that can be issued side by side. This is one of the biggest challenges for compiler writers today. As superscalar and *very long instruction word* (VLIW) designs become capable of executing more instructions per clock cycle, the compiler will have to dig deeper for operations that can execute at the same time.

### 2.1.7 Closing Notes<sup>15</sup>

This chapter has been a basic introduction into how an optimizing compiler operates. However, this is not the last we will talk about compilers. In order to perform the automatic vectorization, parallelization, and data decomposition, compilers must further analyze the source code. As we encounter these topics, we will discuss the compiler impacts and how programmers can best interact with compilers.

For single-processor modern RISC architectures, compilers usually generate better code than most assembly language programmers. Instead of compensating for a simplistic compiler by adding hand optimizations, we as programmers must keep our programs simple so as not to confuse the compiler. By understanding the patterns that compilers are quite capable of optimizing, we can focus on writing straightforward programs that are portable and understandable.

### 2.1.8 Exercises<sup>16</sup>

#### Exercise 2.1.8.1

Does your compiler recognize dead code in the program below? How can you be sure? Does the compiler give you a warning?

```
main()
{
    int k=1;
    if (k == 0)
        printf ("This statement is never executed.\n");
}
```

#### Exercise 2.1.8.2

Compile the following code and execute it under various optimization levels.

Try to guess the different types of optimizations that are being performed to improve the performance as the optimization is increased.

```
REAL*8 A(1000000)
DO I=1,1000000
    A(I) = 3.1415927
```

<sup>15</sup>This content is available online at <<http://cnx.org/content/m33699/1.3/>>.

<sup>16</sup>This content is available online at <<http://cnx.org/content/m33700/1.3/>>.

```

ENDDO
DO I=1,1000000
  A(I) = A(I) * SIN(A(I)) + COS(A(I)) ENDDO
PRINT *, "All Done"

```

### Exercise 2.1.8.3

Take the following code segment and compile it at various optimization levels. Look at the generated assembly language code (`-S` option on some compilers) and find the effects of each optimization level on the machine language. Time the program to see the performance at the different optimization levels. If you have access to multiple architectures, look at the code generated using the same optimization levels on different architectures.

```

REAL*8 A(1000000)
COMMON/BLK/A
  .... Call Time
DO I=1,1000000
  A(I) = A(I) + 1.234
ENDDO
  .... Call Time
END

```

Why is it necessary to put the array into a common block?

## 2.2 Timing and Profiling

### 2.2.1 Introduction<sup>17</sup>

Perhaps getting your code to produce the right answers is enough. After all, if you only plan to use the program once in a while, or if it only takes a few minutes to run, execution time isn't going to matter that much. But it might not always be that way. Typically, people start taking interest in the runtime of their programs for two reasons:

- The workload has increased.
- They are considering a new machine.

It's clear why you might care about the performance of your program if the workload increases. Trying to cram 25 hours of computing time into a 24-hour day is an administrative nightmare. But why should people who are considering a new machine care about the runtime? After all, the new machine is presumably faster than the old one, so everything should take less time. The reason is that when people are evaluating new machines, they need a basis of comparison—a benchmark. People often use familiar programs as benchmarks. It makes sense: you want a benchmark to be representative of the kind of work you do, and nothing is more representative of the work you do than the work you do!

Benchmarking sounds easy enough, provided you have timing tools. And you already know the meaning of time.<sup>18</sup> You just want to be sure that what those tools are reporting is the same as what you think you're

<sup>17</sup>This content is available online at <http://cnx.org/content/m33704/1.3/>.

<sup>18</sup>Time is money.

getting; especially if you have never used the tools before. To illustrate, imagine if someone took your watch and replaced it with another that expressed time in some funny units or three overlapping sets of hands. It would be very confusing; you might have a problem reading it at all. You would also be justifiably nervous about conducting your affairs by a watch you don't understand.

UNIX timing tools are like the six-handed watch, reporting three different kinds of time measurements. They aren't giving conflicting information — they just present more information than you can jam into a single number. Again, the trick is learning to read the watch. That's what the first part of this chapter is about. We'll investigate the different types of measurements that determine how a program is doing.

If you plan to tune a program, you need more than timing information. Where is time being spent — in a single loop, subroutine call overhead, or with memory problems? For tuners, the latter sections of this chapter discuss how to profile code at the procedural and statement levels. We also discuss what profiles mean and how they predict the approach you have to take when, and if, you decide to tweak the code for performance, and what your chances for success will be.

## 2.2.2 Timing<sup>19</sup>

We assume that your program runs correctly. It would be rather ridiculous to time a program that's not running right, though this doesn't mean it doesn't happen. Depending on what you are doing, you may be interested in knowing how much time is spent overall, or you may be looking at just a portion of the program. We show you how to time the whole program first, and then talk about timing individual loops or subroutines.

### 2.2.2.1 Timing a Whole Program

Under UNIX, you can time program execution by placing the `time` command before everything else you normally type on the command line. When the program finishes, a timing summary is produced. For instance, if your program is called `foo`, you can time its execution by typing `time foo`. If you are using the C shell or Korn shell, `time` is one of the shell's built-in commands. With a Bourne shell, `time` is a separate command executable in `/bin`. In any case, the following information appears at the end of the run:

- User time
- System time
- Elapsed time

These timing figures are easier to understand with a little background. As your program runs, it switches back and forth between two fundamentally different modes: *user mode* and *kernel mode*. The normal operating state is user mode. It is in user mode that the instructions the compiler generated on your behalf get executed, in addition to any subroutine library calls linked with your program.<sup>20</sup> It might be enough to run in user mode forever, except that programs generally need other services, such as I/O, and these require the intervention of the operating system — the kernel. A kernel service request made by your program, or perhaps an event from outside your program, causes a switch from user mode into kernel mode.

Time spent executing in the two modes is accounted for separately. The *user time* figure describes time spent in user mode. Similarly, *system time* is a measure of the time spent in kernel mode. As far as user time goes, each program on the machine is accounted for separately. That is, you won't be charged for activity in somebody else's application. System time accounting works the same way, for the most part; however, you can, in some instances, be charged for some system services performed on other people's behalf, in addition to your own. Incorrect charging occurs because your program may be executing at the moment some outside activity causes an interrupt. This seems unfair, but take consolation in the fact that it works both ways: other users may be charged for your system activity too, for the same reason.

<sup>19</sup>This content is available online at <<http://cnx.org/content/m33706/1.3/>>.

<sup>20</sup>Cache miss time is buried in here too.

Taken together, user time and system time are called *CPU time*. Generally, the user time is far greater than the system time. You would expect this because most applications only occasionally ask for system services. In fact, a disproportionately large system time probably indicates some trouble. For instance, programs that are repeatedly generating exception conditions, such as page faults, misaligned memory references, or floating-point exceptions, use an inordinate amount of system time. Time spent doing things like seeking on a disk, rewinding a tape, or waiting for characters at the terminal doesn't show up in CPU time. That's because these activities don't require the CPU; the CPU is free to go off and execute other programs.

The third piece of information (corresponding to the third set of hands on the watch), *elapsed time*, is a measure of the actual (wall clock) time that has passed since the program was started. For programs that spend most of their time computing, the elapsed time should be close to the CPU time. Reasons why elapsed time might be greater are:

- You are timesharing the machine with other active programs.<sup>21</sup>
- Your application performs a lot of I/O.
- Your application requires more memory bandwidth than is available on the machine.
- Your program was paging or swapped.

People often record the CPU time and use it as an estimate for elapsed time. Using CPU time is okay on a single CPU machine, provided you have seen the program run when the machine was quiet and noticed the two numbers were very close together. But for multiprocessors, the total CPU time can be far different from the elapsed time. Whenever there is a doubt, wait until you have the machine to yourself and time your program then, using elapsed time. It is very important to produce timing results that can be verified using another run when the results are being used to make important purchasing decisions.

If you are running on a Berkeley UNIX derivative, the C shell's built-in time command can report a number of other useful statistics. The default form of the output is shown in Figure 2.3 (The built-in *cs*h time function). Check with your *cs*h manual page for more possibilities.

In addition to figures for CPU and elapsed time, *cs*h time command produces information about CPU utilization, page faults, swaps, blocked I/O operations (usually disk activity), and some measures of how much physical memory our program occupied when it ran. We describe each of them in turn.

#### 2.2.2.1.1 Percent utilization

*Percent utilization* corresponds to the ratio of elapsed time to CPU time. As we mentioned above, there can be a number of reasons why the CPU utilization wouldn't be 100% or mighty close. You can often get a hint from the other fields as to whether it is a problem with your program or whether you were sharing the machine when you ran it.

#### 2.2.2.1.2 Average real memory utilization

The two *average memory utilization* measurements shown in Figure 2.3 (The built-in *cs*h time function) characterize the program's resource requirements as it ran.

The first measurement, *shared-memory space*, accounts for the average amount of real memory taken by your program's text segment — the portion that holds the machine instructions. It is called "shared" because several concurrently running copies of a program can share the same text segment (to save memory). Years ago, it was possible for the text segment to consume a significant portion of the memory system, but these days, with memory sizes starting around 32 MB, you have to compile a pretty huge source program and use every bit of it to create a shared-memory usage figure big enough to cause concern. The shared-memory space requirement is usually quite low relative to the amount of memory available on your machine.

<sup>21</sup>The *uptime* command gives you a rough indication of the other activity on your machine. The last three fields tell the average number of processes ready to run during the last 1, 5, and 15 minutes, respectively.

---

The built-in csh time function

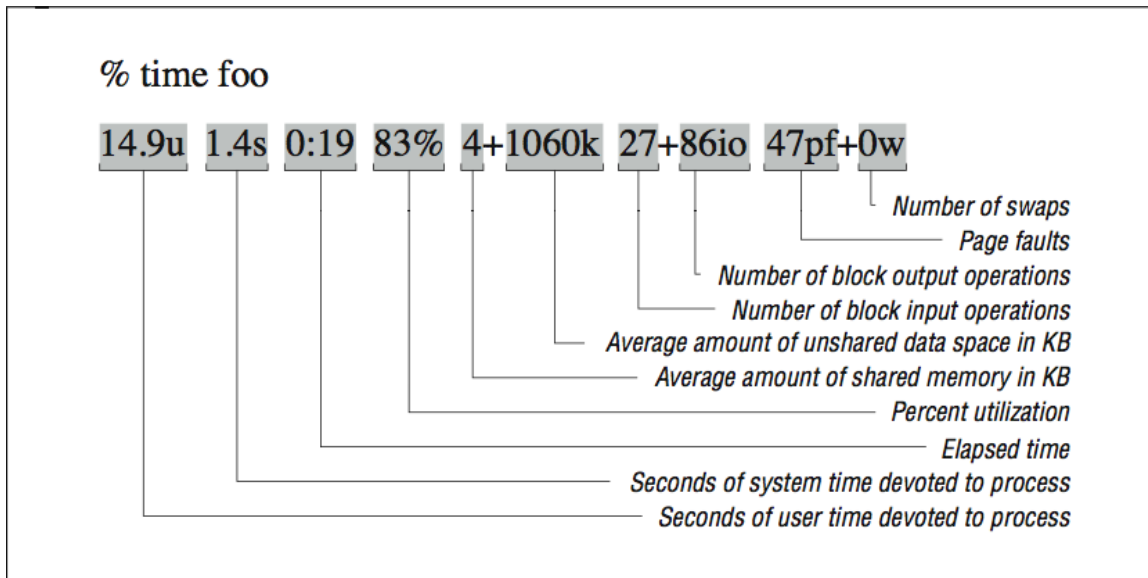


Figure 2.3

---

The second average memory utilization measurement, *unshared-memory space*, describes the average *real* storage dedicated to your program’s data structures as it ran. This storage includes saved local variables and `COMMON` for `FORTRAN`, and static and external variables for `C`. We stress the word “real” here and above because these numbers talk about physical memory usage, taken over time. It may be that you have allocated arrays with 1 trillion elements (virtual space), but if your program only crawls into a corner of that space, your runtime memory requirements will be pretty low.

What the unshared-memory space measurement doesn’t tell you, unfortunately, is your program’s demand for memory at its greediest. An application that requires 100 MB 1/10th of the time and 1 KB the rest of the time appears to need only 10 MB on average — not a revealing picture of the program’s memory requirements.

### 2.2.2.1.3 Blocked I/O operations

The two figures for *blocked I/O* operations primarily describe disk usage, though tape devices and some other peripherals may also be used with blocked I/O. Character I/O operations, such as terminal input and output, do not appear here. A large number of blocked I/O operations could explain a lower-than-expected CPU utilization.

### 2.2.2.1.4 Page faults and swaps

An unusually high number of *page faults* or any swaps probably indicates a system choked for memory, which would also explain a longer-than-expected elapsed time. It may be that other programs are competing for the same space. And don’t forget that even under optimal conditions, every program suffers some number of page faults, as explained in Section 1.1.1. Techniques for minimizing page faults are described in Section 2.4.1.

### 2.2.2.2 Timing a Portion of the Program

For some benchmarking or tuning efforts, measurements taken on the “outside” of the program tell you everything you need to know. But if you are trying to isolate performance figures for individual loops or portions of the code, you may want to include timing routines on the inside too. The basic technique is simple enough:

1. Record the time before you start doing X.
2. Do X.
3. Record the time at completion of X.
4. Subtract the start time from the completion time.

If, for instance, X’s primary job is to calculate particle positions, divide by the total time to obtain a number for particle positions/second. You have to be careful though; too many calls to the timing routines, and the observer becomes part of the experiment. The timing routines take time too, and their very presence can increase instruction cache miss or paging. Furthermore, you want X to take a significant amount of time so that the measurements are meaningful. Paying attention to the time between timer calls is really important because the clock used by the timing functions has a limited resolution. An event that occurs within a fraction of a second is hard to measure with any accuracy.

### 2.2.2.3 Getting Time Information

In this section, we discuss methods for getting various timer values during the execution of your program.

For FORTRAN programs, a library timing function found on many machines is called *etime*, which takes a two-element REAL\*4 array as an argument and fills the slots with the user CPU time and system CPU time, respectively. The value returned by the function is the sum of the two. Here’s how *etime* is often used:

```
real*4 tarray(2), etime
real*4 start, finish

start = etime(tarray)
finish = etime(tarray)

write (*,*) 'CPU time: ', finish - start
```

Not every vendor supplies an *etime* function; in fact, one doesn’t provide a timing routine for FORTRAN at all. Try it first. If it shows up as an undefined symbol when the program is linked, you can use the following C routine. It provides the same functionality as *etime*:

```
#include <sys/times.h>
#define TICKS 100.

float etime (parts)
struct {
    float user;
    float system;
} *parts;
```



```

{
    struct tms local;
    times (&local);
    parts->user= (float) local.tms_utime/TICKS;
    parts->system = (float) local.tms_stime/TICKS;
    return (parts->user + parts->system);
}

```

There are a couple of things you might have to tweak to make it work. First of all, linking C routines with FORTRAN routines on your computer may require you to add an underscore (`_`) after the function name. This changes the entry to `float etime_ (parts)`. Furthermore, you might have to adjust the TICKS parameter. We assumed that the system clock had a resolution of 1/100 of a second (true for the Hewlett-Packard machines that this version of *etime* was written for). 1/60 is very common. On an RS-6000 the number would be 1000. You may find the value in a file named `/usr/include/sys/param.h` on your machine, or you can determine it empirically.

A C routine for retrieving the wall time using calling *gettimeofday* is shown below. It is suitable for use with either C or FORTRAN programs as it uses call-by-value parameter passing:

```

#include <stdio.h>
#include <stdlib.h>
#include <sys/time.h>

void hpcwall(double *retval)
{
    static long zsec = 0;
    static long zusec = 0;
    double esec;
    struct timeval tp;
    struct timezone tzp;

    gettimeofday(&tp, &tzp);

    if ( zsec == 0 ) zsec = tp.tv_sec;
    if ( zusec == 0 ) zusec = tp.tv_usec;

    *retval = (tp.tv_sec - zsec) + (tp.tv_usec - zusec ) * 0.000001 ;
}

void hpcwall_(double *retval) { hpcwall(retval); } /* Other convention */

```

Given that you will often need both CPU and wall time, and you will be continually computing the difference between successive calls to these routines, you may want to write a routine to return the elapsed wall and CPU time upon each call as follows:

```

SUBROUTINE HPCTIM(WTIME,CTIME)

```

```

    IMPLICIT NONE
*
    REAL WTIME,CTIME
    COMMON/HPCTIMC/CBEGIN,WBEGIN
    REAL*8 CBEGIN,CEND,WBEGIN,WEND
    REAL ETIME,CSCRATCH(2)
*
    CALL HPCWALL(WEND)
    CEND=ETIME(CSCRATCH)
*
    WTIME = WEND - WBEGIN
    CTIME = CEND - CBEGIN
*
    WBEGIN = WEND
    CBEGIN = CEND
    END

```

#### 2.2.2.4 Using Timing Information

You can get a lot of information from the timing facilities on a UNIX machine. Not only can you tell how long it takes to perform a given job, but you can also get hints about whether the machine is operating efficiently, or whether there is some other problem that needs to be factored in, such as inadequate memory.

Once the program is running with all anomalies explained away, you can record the time as a baseline. If you are tuning, the baseline will be a reference with which you can tell how much (or little) tuning has improved things. If you are benchmarking, you can use the baseline to judge how much overall incremental performance a new machine will give you. But remember to watch the other figures — paging, CPU utilization, etc. These may differ from machine to machine for reasons unrelated to raw CPU performance. You want to be sure you are getting the full picture.

### 2.2.3 Subroutine Profiling<sup>22</sup>

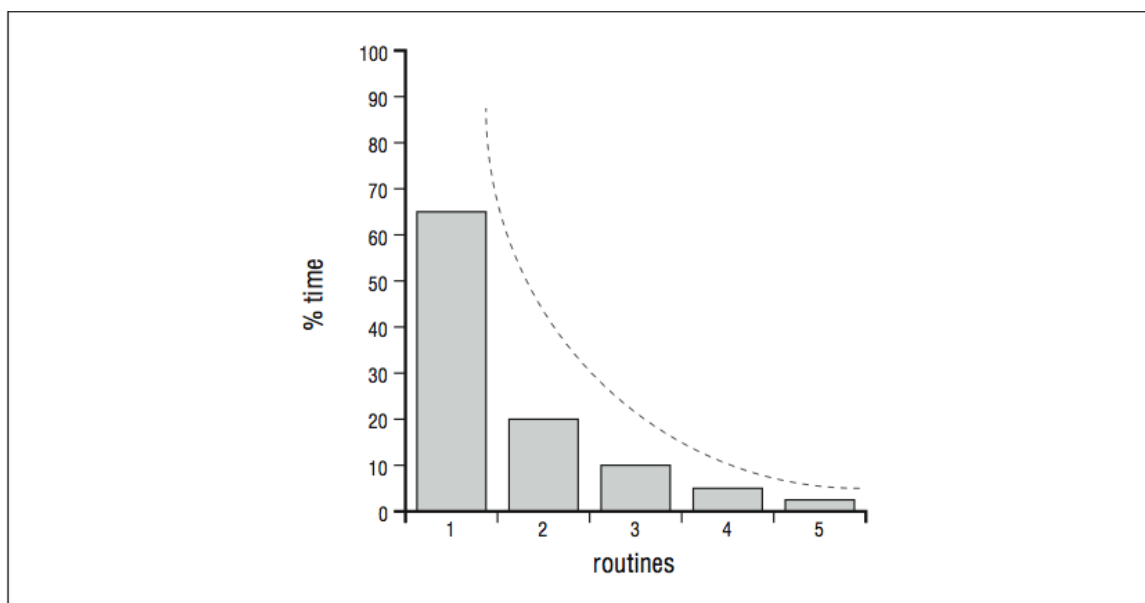
Sometimes you want more detail than the overall timing of the application. But you don't have time to modify the code to insert several hundred *etime* calls into your code. Profiles are also very useful when you have been handed a strange 20,000-line application program and told to figure out how it works and then improve its performance.

Most compilers provide a facility to automatically insert timing calls into your code at the entry and exit of each routine at compile time. While your program runs, the entry and exit times are recorded and then dumped into a file. A separate utility summarizes the execution patterns and produces a report that shows the percentage of the time spent in each of your routines and the library routines.

The profile gives you a sense of the shape of the execution profile. That is, you can see that 10% of the time is spent in subroutine A, 5% in subroutine B, etc. Naturally, if you add all of the routines together they should account for 100% of the overall time spent. From these percentages you can construct a picture — a *profile* — of how execution is distributed when the program runs. Though not representative of any particular profiling tool, the histograms in Figure 2.4 (Sharp profile — dominated by routine 1) and Figure 2.5 (Flat profile — no routine predominates) depict these percentages, sorted from left to right, with each vertical column representing a different routine. They help illustrate different profile shapes.

<sup>22</sup>This content is available online at <http://cnx.org/content/m33713/1.3/>.

---

**Sharp profile — dominated by routine 1****Figure 2.4**

---

A *sharp profile* says that most of the time is spent in one or two procedures, and if you want to improve the program's performance you should focus your efforts on tuning those procedures. A minor optimization in a heavily executed line of code can sometimes have a great effect on the overall runtime, given the right opportunity. A *flat profile*,<sup>23</sup> on the other hand, tells you that the runtime is spread across many routines, and effort spent optimizing any one or two will have little benefit in speeding up the program. Of course, there are also programs whose execution profile falls somewhere in the middle.

<sup>23</sup>The term "flat profile" is a little overloaded. We are using it to describe a profile that shows an even distribution of time throughout the program. You will also see the label flat profile used to draw distinction from a call graph profile, as described below.

Flat profile — no routine predominates

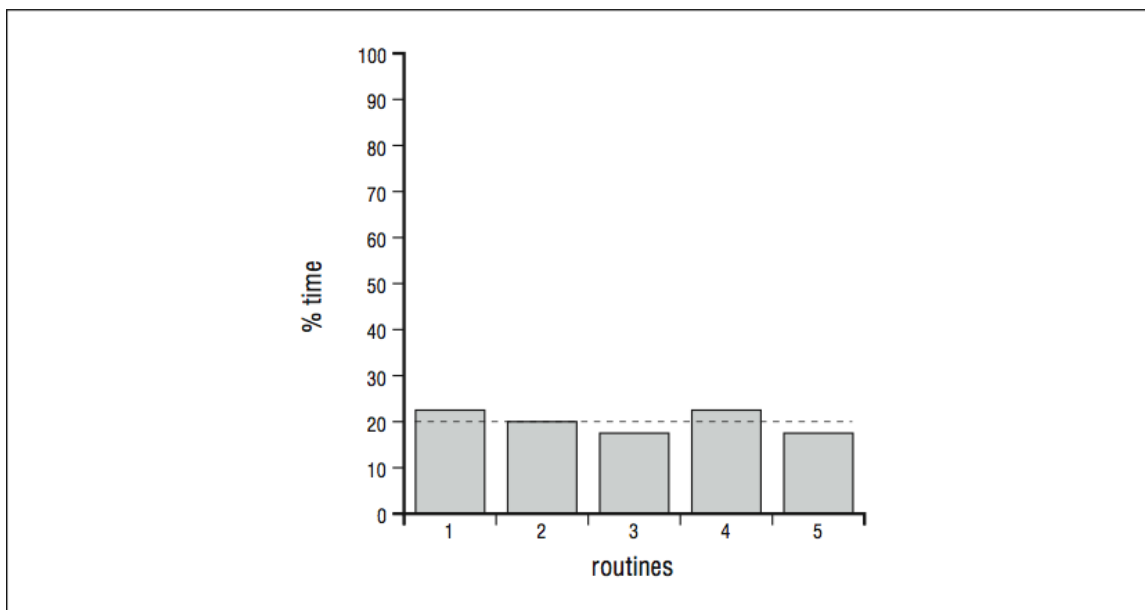


Figure 2.5

We cannot predict with absolute certainty what you are likely to find when you profile your programs, but there are some general trends. For instance, engineering and scientific codes built around matrix solutions often exhibit very sharp profiles. The runtime is dominated by the work performed in a handful of routines. To tune the code, you need to focus your efforts on those routines to make them more efficient. It may involve restructuring loops to expose parallelism, providing hints to the compiler, or rearranging memory references. In any case, the challenge is tangible; you can see the problems you have to fix.

There are limits to how much tuning one or two routines will improve your runtime, of course. An often quoted rule of thumb is *Amdahl's Law*, derived from remarks made in 1967 by one of the designers of the IBM 360 series, and founder of Amdahl Computer, Gene Amdahl. Strictly speaking, his remarks were about the performance potential of parallel computers, but people have adapted Amdahl's Law to describe other things too. For our purposes, it goes like this: Say you have a program with two parts, one that can be optimized so that it goes infinitely fast and another that can't be optimized at all. Even if the optimizable portion makes up 50% of the initial runtime, at best you will be able to cut the total runtime in half. That is, your runtime will eventually be dominated by the portion that can't be optimized. This puts an upper limit on your expectations when tuning.

Even given the finite return on effort suggested by Amdahl's Law, tuning a program with a sharp profile can be rewarding. Programs with flat profiles are much more difficult to tune. These are often system codes, nonnumeric applications, and varieties of numerical codes without matrix solutions. It takes a global tuning approach to reduce, to any justifiable degree, the runtime of a program with a flat profile. For instance, you can sometimes optimize instruction cache usage, which is complicated because of the program's equal distribution of activity among a large number of routines. It can also help to reduce subroutine call overhead by folding callees into callers. Occasionally, you can find a memory reference problem that is endemic to the whole program — and one that can be fixed all at once.

When you look at a profile, you might find an unusually large percentage of time spent in the library routines such as `log`, `exp`, or `sin`. Often these functions are done in software routines rather than inline. You may be able to rewrite your code to eliminate some of these operations. Another important pattern to look for is when a routine takes far longer than you expect. Unexpected execution time may indicate you are accessing memory in a pattern that is bad for performance or that some aspect of the code cannot be optimized properly.

In any case, to get a profile, you need a profiler. One or two *subroutine profilers* come standard with the software development environments on all UNIX machines. We discuss two of them: *prof* and *gprof*. In addition, we mention a few line-by-line profilers. Subroutine profilers can give you a general overall view of where time is being spent. You probably should start with *prof*, if you have it (most machines do). Otherwise, use *gprof*. After that, you can move to a line-by-line profiler if you need to know which statements take the most time.

### 2.2.3.1 `prof`

*prof* is the most common of the UNIX profiling tools. In a sense, it is an extension of the compiler, linker, and object libraries, plus a few extra utilities, so it is hard to look at any one thing and say “this profiles your code.” *prof* works by periodically sampling the program counter as your application runs. To enable profiling, you must recompile and relink using the `-p` flag. For example, if your program has two modules, *stuff.c* and *junk.c*, you need to compile and link according to the following code:

```
% cc stuff.c -p -o -c
% cc junk.c -p -o -c
% cc stuff.o junk.o -p -o stuff
```

This creates a *stuff* binary that is ready for profiling. You don’t need to do anything special to run it. Just treat it normally by entering `stuff`. Because runtime statistics are being gathered, it takes a little longer than usual to execute.<sup>24</sup> At completion, there is a new file called *mon.out* in the directory where you ran it. This file contains the history of *stuff* in binary form, so you can’t look at it directly. Use the *prof* utility to read *mon.out* and create a profile of *stuff*. By default, the information is written to your screen on standard output, though you can easily redirect it to a file:

```
% prof stuff > stuff.prof
```

To explore how the *prof* command works, we have created the following ridiculous little application, *loops.c*. It contains a main routine and three subroutines for which you can predict the time distribution just by looking at the code.

```
main () {
    int l;
```

---

<sup>24</sup>Remember: code with profiling enabled takes longer to run. You should recompile and relink the whole thing *without* the `-p` flag when you have finished profiling.

```

    for (l=0;l<1000;l++) {
        if (l == 2*(l/2)) foo ();
        bar();
        baz();
    }
}
foo (){
    int j;
    for (j=0;j<200;j++)
}
bar () {
    int i;
    for (i=0;i<200;i++);
}
baz () {
    int k;
    for (k=0;k<300;k++);
}

```

Again, you need to compile and link *loops* with the `-p` flag, run the program, and then run the *prof* utility to extract a profile, as follows:

```

% cc loops.c -p -o loops
% ./loops
% prof loops > loops.prof

```

The following example shows what a *loops.prof* should look like. There are six columns.

```

%Time Seconds Cumsecs #Calls msec/call Name
56.8    0.50    0.50    1000    0.500    _baz
27.3    0.24    0.74    1000    0.240    _bar
15.9    0.14    0.88    500     0.28     _foo
0.0     0.00    0.88     1       0.       _creat
0.0     0.00    0.88     2       0.       _profil
0.0     0.00    0.88     1       0.       _main
0.0     0.00    0.88     3       0.       _getenv
0.0     0.00    0.88     1       0.       _strcpy
0.0     0.00    0.88     1       0.       _write

```

The columns can be described as follows:

- **%Time** Percentage of CPU time consumed by this routine
- **Seconds** CPU time consumed by this routine
- **Cumsecs** A running total of time consumed by this and all preceding routines in the list
- **Calls** The number of times this particular routine was called

- `msec/call` Seconds divided by number of calls giving the average length of time taken by each invocation of the routine
- `Name` The name of this routine

The top three routines listed are from *loops.c* itself. You can see an entry for the “main” routine more than halfway down the list. Depending on the vendor, the names of the routines may contain leading or trailing underscores, and there will always be some routines listed you don’t recognize. These are contributions from the C library and possibly the FORTRAN libraries, if you are using FORTRAN. Profiling also introduces some overhead into the run, and often shows up as one or two subroutines in the *prof* output. In this case, the entry for `_profil` represents code inserted by the linker for collecting runtime profiling data.

If it was our intention to tune *loops*, we would consider a profile like the one in the figure above to be a fairly good sign. The lead routine takes 50% of the runtime, so at least there is a chance we could do something with it that would have a significant impact on the overall runtime. (Of course with a program as trivial as *loops*, there is plenty we can do, since *loops* does nothing.)

### 2.2.3.2 gprof

Just as it’s important to know how time is distributed when your program runs, it’s also valuable to be able to tell who called who in the list of routines. Imagine, for instance, if something labeled `_exp` showed up high in the list in the *prof* output. You might say: “Hmmm, I don’t remember calling anything named `exp()`. I wonder where that came from.” A call tree helps you find it.

Subroutines and functions can be thought of as members of a family tree. The top of the tree, or root, is actually a routine that precedes the main routine you coded for the application. It calls your main routine, which in turn calls others, and so on, all the way down to the leaf nodes of the tree. This tree is properly known as a *call graph*.<sup>25</sup> The relationship between routines and nodes in the graph is one of parents and children. Nodes separated by more than one hop are referred to as ancestors and descendants.

Figure 6-4 graphically depicts the kind of call graph you might see in a small application. `main` is the parent or ancestor of most of the rest of the routines. `G` has two parents, `E` and `C`. Another routine, `A`, doesn’t appear to have any ancestors or descendants at all. This problem can happen when routines are not compiled with profiling enabled, or when they aren’t invoked with a subroutine call — such as would be the case if `A` were an exception handler.

The UNIX profiler that can extract this kind of information is called *gprof*. It replicates the abilities of *prof*, plus it gives a call graph profile so you can see who calls whom, and how often. The call graph profile is handy if you are trying to figure out how a piece of code works or where an unknown routine came from, or if you are looking for candidates for subroutine inlining.

To use call graph profiling you need go through the same steps as with *prof*, except that a `-pg` flag is substituted for the `-p` flag.<sup>26</sup> Additionally, when it comes time to produce the actual profile, you use the *gprof* utility instead of *prof*. One other difference is that the name of the statistics file is *gmon.out* instead of *mon.out*:

```
% cc -pg stuff.c -c
% cc stuff.o -pg -o stuff
% stuff
% gprof stuff > stuff.gprof
```

<sup>25</sup>It doesn’t have to be a tree. Any subroutine can have more than one parent. Furthermore, recursive subroutine calls introduce cycles into the graph, in which a child calls one of its parents.

<sup>26</sup>On HP machines, the flag is `-G`.

## Simple call graph

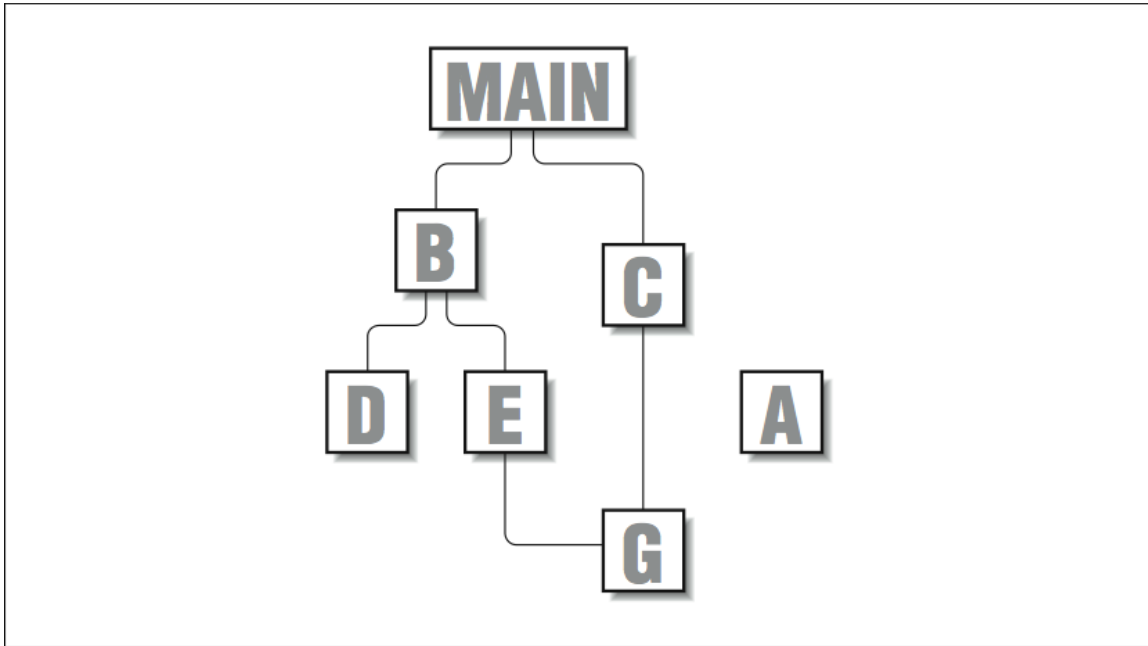


Figure 2.6

The output from `gprof` is divided into three sections:

- Call graph profile
- Timing profile
- Index

The first section textually maps out the call graph. The second section lists routines, the percentage of time devoted to each, the number of calls, etc. (similar to `prof`). The third section is a cross reference so that you can locate routines by number, rather than by name. This section is especially useful for large applications because routines are sorted based on the amount of time they use, and it can be difficult to locate a particular routine by scanning for its name. Let's invent another trivial application to illustrate how `gprof` works. Figure 2.7 (FORTRAN example) shows a short piece of FORTRAN code, along with a diagram of how the routines are connected together. Subroutines `A` and `B` are both called by `MAIN`, and, in turn, each calls `C`. The following example shows a section of the output from `gprof`'s call graph profile:<sup>27</sup>

<sup>27</sup>In the interest of conserving space, we clipped out the section most relevant to our discussion and included it in this example. There was a lot more to it, including calls of setup and system routines, the likes of which you will see when you run `gprof`.



## FORTRAN example

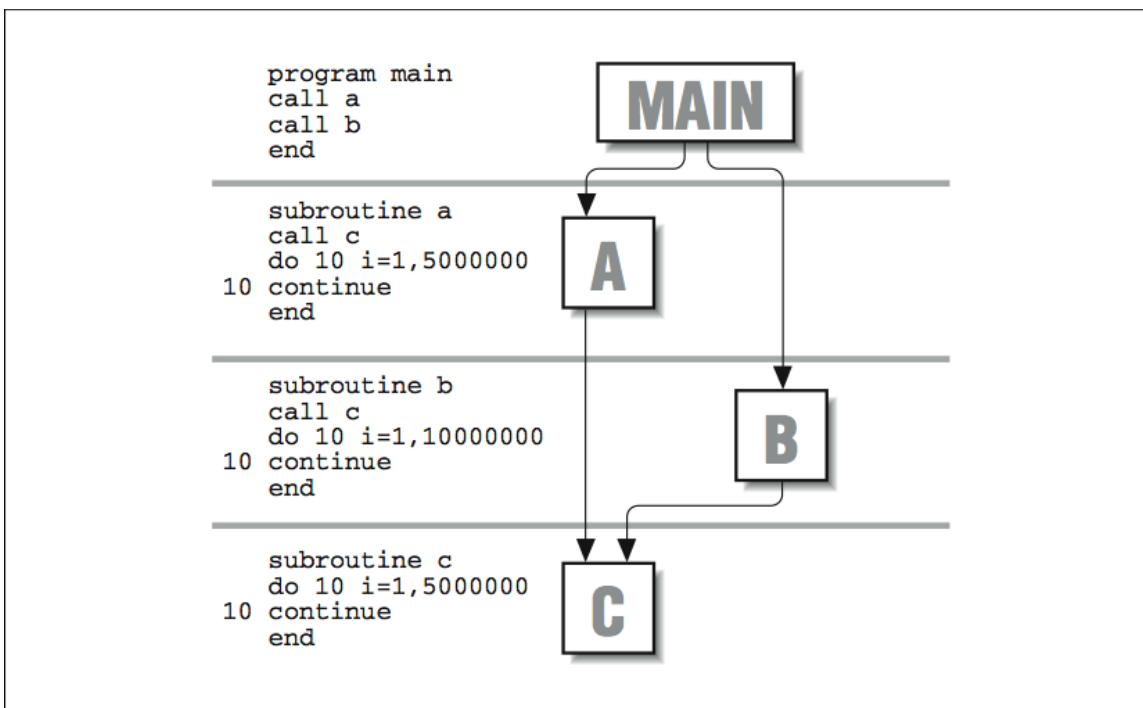


Figure 2.7

index	%time	self	descendants	called/total called+self called/total	parents name index children
....			....		....
[3]	99.9	0.00	8.08	1/1	_main [2]
		0.00	8.08	1	_MAIN_ [3]
		3.23	1.62	1/1	_b_ [4]
		1.62	1.62	1/1	_a_ [5]
-----					
[4]	59.9	3.23	1.62	1/1	_MAIN_ [3]
		3.23	1.62	1	_b_ [4]
		1.62	0.00	1/2	_c_ [6]

```

-----
[5]  40.0      1.62      1.62      1/1      _MAIN_ [3]
      1.62      1.62      1        _a_  [5]
      1.62      0.00     1/2      _c_  [6]
-----

      1.62      0.00     1/2      _a_  [5]
      1.62      0.00     1/2      _b_  [4]
[6]  39.9      3.23      0.00     2        _c_  [6]

```

Sandwiched between each set of dashed lines is information describing a given routine and its relationship to parents and children. It is easy to tell which routine the block represents because the name is shifted farther to the left than the others. Parents are listed above, children below. As with `prof`, underscores are tacked onto the labels.<sup>28</sup> A description of each of the columns follows:

- **index** You will notice that each routine name is associated with a number in brackets (`[n]`). This is a cross-reference for locating the routine elsewhere in the profile. If, for example, you were looking at the block describing `_MAIN_` and wanted to know more about one of its children, say `_a_`, you could find it by scanning down the left side of the page for its index, `[5]`.
- **%time** The meaning of the `%time` field is a little different than it was for `prof`. In this case it describes the percentage of time spent in this routine *plus* the time spent in all of its children. It gives you a quick way to determine where the busiest sections of the call graph can be found.
- **self** Listed in seconds, the `self` column has different meanings for parents, the routine in question, and its children. Starting with the middle entry — the routine itself — the `self` figure shows how much overall time was dedicated to the routine. In the case `_b_`, for instance, this amounts to 3.23 seconds.

Each `self` column entry shows the amount of time that can be attributed to calls from the parents. If you look at routine `_c_`, for example, you will see that it consumed a total time of 3.23 seconds. But note that it had two parents: 1.62 seconds of the time was attributable to calls from `_a_`, and 1.62 seconds to `_b_`.

For the children, the `self` figure shows how much time was spent executing each child due to calls from this routine. The children may have consumed more time overall, but the only time accounted for is time-attributable to calls from this routine. For example, `_c_` accumulated 3.23 seconds overall, but if you look at the block describing `_b_`, you see `_c_` listed as a child with only 1.62 seconds. That's the total time spent executing `_c_` on behalf of `_b_`.

- **descendants** As with the `self` column, figures in the descendants column have different meanings for the routine, its parents, and children. For the routine itself, it shows the number of seconds spent in all of its descendants.

For the routine's parents, the descendants figure describes how much time spent in the routine can be traced back to calls by each parent. Looking at routine `_c_` again, you can see that of its total time, 3.23 seconds, 1.62 seconds were attributable to each of its two parents, `_a_` and `_b_`.

For the children, the descendants column shows how much of the child's time can be attributed to calls from this routine. The child may have accumulated more time overall, but the only time displayed is time associated with calls from this routine.

- **calls** The `calls` column shows the number of times each routine was invoked, as well as the distribution of those calls associated with both parents and children. Starting with the routine itself, the

<sup>28</sup>You may have noticed that there are two main routines: `_MAIN_` and `_main_`. In a FORTRAN program, `_MAIN_` is the actual FORTRAN main routine. It's called as a subroutine by `_main_`, provided from a system library at link time. When you're profiling C code, you won't see `_MAIN_`.

figure in the `calls` column shows the total number of entries into the routine. In situations where the routine called itself, you will also see a `+n` immediately appended, showing that additional `n` calls were made recursively.

Parent and child figures are expressed as ratios. For the parents, the ratio  $m/n$  says “of the  $n$  times the routine was called,  $m$  of those calls came from this parent.” For the child, it says “of the  $n$  times this child was called,  $m$  of those calls came from this routine.”

### 2.2.3.3 gprof's Flat Profile

As we mentioned previously, *gprof* also produces a timing profile (also called a “flat” profile, just to confuse things) similar to the one produced by *prof*. A few of the fields are different from *prof*, and there is some extra information, so it will help if we explain it briefly. The following example shows the first few lines from a *gprof* flat profile for *stuff*. You will recognize the top three routines from the original program. The others are library functions included at link-time.

% time	cumulative seconds	self seconds	calls	self ms/call	total ms/call	name
39.9	3.23	3.23	2	1615.07	1615.07	_c_ [6]
39.9	6.46	3.23	1	3230.14	4845.20	_b_ [4]
20.0	8.08	1.62	1	1620.07	3235.14	_a_ [5]
0.1	8.09	0.01	3	3.33	3.33	_ioctl [9]
0.0	8.09	0.00	64	0.00	0.00	.rem [12]
0.0	8.09	0.00	64	0.00	0.00	_f_clos [177]
0.0	8.09	0.00	20	0.00	0.00	_sigblock [178]
...	....	....	.	.	.	.....

Here's what each column means:

- **%time** Again, we see a field that describes the runtime for each routine as a percentage of the overall time taken by the program. As you might expect, all the entries in this column should total 100% (nearly).
- **cumulative seconds** For any given routine, the column called “cumulative seconds” tallies a running sum of the time taken by all the preceding routines plus its own time. As you scan towards the bottom, the numbers asymptotically approach the total runtime for the program.
- **self seconds** Each routine's individual contribution to the runtime.
- **calls** The number of times this particular routine was called.
- **self ms/call** Seconds spent inside the routine, divided by the number of calls. This gives the average length of time taken by each invocation of the routine. The figure is presented in milliseconds.
- **total ms/call** Seconds spent inside the routine plus its descendants, divided by the number of calls.
- **name** The name of the routine. Notice that the cross-reference number appears here too.

### 2.2.3.4 Accumulating the Results of Several gprof Runs

It is possible to accumulate statistics from multiple runs so that you can get a picture of how a program is doing with a variety of data sets. For instance, say that you wanted to profile an application — call it *bar* — with three different sets of input data. You could perform the runs separately, saving the *gmon.out* files as you go, and then combine the results into a single profile at the end:

```

% f77 -pg bar.f -o bar
% bar < data1.input
% mv gmon.out gmon.1
% bar < data2.input
% mv gmon.out gmon.2
% bar < data3.input
% gprof bar -s gmon.1 gmon.2 gmon.out > gprof.summary.out

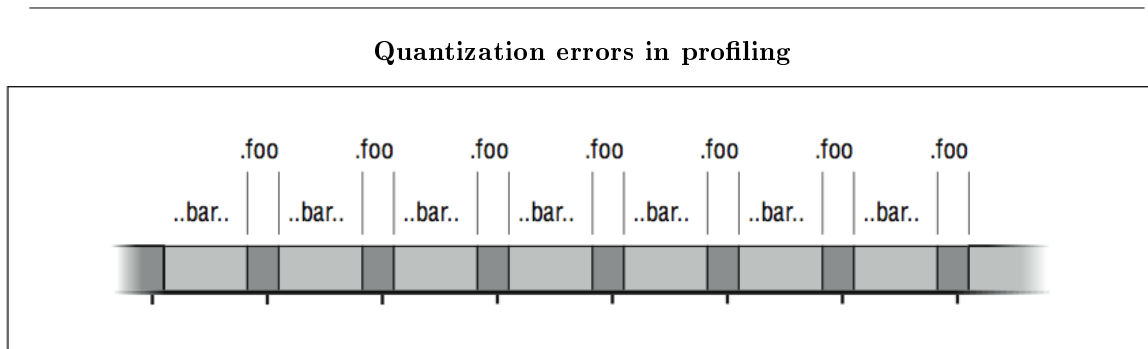
```

In the example profile, each run along the way creates a new *gmon.out* file that we renamed to make room for the next one. At the end, *gprof* combines the information from each of the data files to produce a summary profile of *bar* in the file *gprof.summary.out*. Additionally (you don't see it here), *gprof* creates a file named *gmon.sum* that contains the merged data from the original three data files. *gmon.sum* has the same format as *gmon.out*, so you can use it as input for other merged profiles down the road.

In form, the output from a merged profile looks exactly the same as for an individual run. There are a couple of interesting things you will note, however. For one thing, the *main* routine appears to have been invoked more than once — one time for each run, in fact. Furthermore, depending on the application, multiple runs tend to either smooth the contour of the profile or exaggerate its features. You can imagine how this might happen. If a single routine is consistently called while others come and go as the input data changes, it takes on increasing importance in your tuning efforts.

### 2.2.3.5 A Few Words About Accuracy

For processors running at 600 MHz and more, the time between 60 Hz and 100 Hz samples is a veritable eternity. Furthermore, you can experience quantization errors when the sampling frequency is fixed, as is true of steady 1/100th or 1/60th of a second samples. To take an exaggerated example, assume that the timeline in Figure 2.8 (Quantization errors in profiling) shows alternating calls to two subroutines, *BAR* and *FOO*. The tick marks represent the sample points for profiling.



**Figure 2.8**

---

*BAR* and *FOO* take turns running. In fact, *BAR* takes more time than *FOO*. But because the sampling interval closely matches the frequency at which the two subroutines alternate, we get a quantizing error: most of the

samples happen to be taken while F00 is running. Therefore, the profile tells us that F00 took more CPU time than BAR.

We have described the tried and true UNIX subroutine profilers that have been available for years. In many cases, vendors have much better tools available for the asking or for a fee. If you are doing some serious tuning, ask your vendor representative to look into other tools for you.

## 2.2.4 Basic Block Profilers<sup>29</sup>

There are several good reasons to desire a finer level of detail than you can see with a subroutine profiler. For humans trying to understand how a subroutine or function is used, a profiler that tells which lines of source code were actually executed, and how often, is invaluable; a few clues about where to focus your tuning efforts can save you time. Also, such a profiler saves you from discovering that a particularly clever optimization makes no difference because you put it in a section of code that never gets executed.

As part of an overall strategy, a subroutine profile can direct you to a handful of routines that account for most of the runtime, but it takes a *basic block profiler*<sup>30</sup> to get you to the associated source code lines.

Basic block profilers can also provide compilers with information they need to perform their own optimizations. Most compilers work in the dark. They can restructure and unroll loops, but they cannot tell when it will pay off. Worse yet, misplaced optimizations often have an adverse effect of slowing down the code! This can be the result of added instruction cache burden, wasted tests introduced by the compiler, or incorrect assumptions about which way a branch would go at runtime. If the compiler can automatically interpret the results of a basic block profile, or if you can supply the compiler with hints, it often means a reduced run-time with little effort on your part.

There are several basic block profilers in the world. The closest thing to a standard, *tcov*, is shipped with Sun workstations; it's standard because the installed base is so big. On MIPS-based workstations, such as those from Silicon Graphics and DEC, the profiler (packaged as an extension to *prof*) is called *pixie*. We explain briefly how to run each profiler using a reasonable set of switches. You can consult your manual pages for other options.

### 2.2.4.1 tcov

*tcov*, available on Sun workstations and other SPARC machines that run SunOS, gives execution statistics that describe the number of times each source statement was executed. It is very easy to use. Assume for illustration that we have a source program called *foo.c*. The following steps create a basic block profile:

```
% cc -a foo.c -o foo
% foo
% tcov foo.c
```

The `-a` option tells the compiler to include the necessary support for *tcov*.<sup>31</sup> Several files are created in the process. One called *foo.d* accumulates a history of the execution frequencies within the program *foo*. That is, old data is updated with new data each time *foo* is run, so you can get an overall picture of what happens inside *foo*, given a variety of data sets. Just remember to clean out the old data if you want to start over. The profile itself goes into a file called *foo.tcov*.

Let's look at an illustration. Below is a short C program that performs a bubble sort of 10 integers:

<sup>29</sup>This content is available online at <<http://cnx.org/content/m33710/1.3/>>.

<sup>30</sup>A basic block is a section of code with only one entrance and one exit. If you know how many times the block was entered, you know how many times each of the statements in the block was executed, which gives you a line-by-line profile. The concept of a basic block is explained in detail in Section 2.1.1

<sup>31</sup>On Sun Solaris systems, the `-xa` option is used.

```

int n[] = {23,12,43,2,98,78,2,51,77,8};
main ()
{
    int i, j, ktemp;
    for (i=10; i>0; i--) {
        for (j=0; j<i; j++) {
            if (n[j] < n[j+1]) {
                ktemp = n[j+1], n[j+1] = n[j], n[j] = ktemp;
            }
        }
    }
}

```

*tcov* produces a basic block profile that contains execution counts for each source line, plus some summary statistics (not shown):

```

        int n[] = {23,12,43,2,98,78,2,51,77,8};
        main ()
1 -> {
        int i, j, ktemp;
10 ->     for (i=10; i>0; i--) {
10,    55 ->         for (j=0; j<i; j++) {
55 ->             if (n[j] < n[j+1]) {
23 ->                 ktemp = n[j+1], n[j+1] = n[j], n[j] = ktemp;
                }
            }
        }
1 ->     }

```

The numbers to the left tell you the number of times each block was entered. For instance, you can see that the routine was entered just once, and that the highest count occurs at the test `n[j] < n[j+1]`. *tcov* shows more than one count on a line in places where the compiler has created more than one block.

#### 2.2.4.2 *pixie*

*pixie* is a little different from *tcov*. Rather than reporting the number of times each source line was executed, *pixie* reports the number of machine clock cycles devoted to executing each line. In theory, you could use this to calculate the amount of time spent per statement, although anomalies like cache misses are not represented.

*pixie* works by “pixifying” an executable file that has been compiled and linked in the normal way. Below we run *pixie* on *foo* to create a new executable called *foo.pixie*:

```
% cc foo.c -o foo
% pixie foo
% foo.pixie
% prof -pixie foo
```

Also created was a file named *foo.Addr*s, which contains addresses for the basic blocks within *foo*. When the new program, *foo.pixie*, is run, it creates a file called *foo.Counts*, containing execution counts for the basic blocks whose addresses are stored in *foo.Addr*s. *pixie* data accumulates from run to run. The statistics are retrieved using *prof* and a special **-pixie** flag.

*pixie*'s default output comes in three sections and shows:

- Cycles per routine
- Procedure invocation counts
- Cycles per basic line

Below, we have listed the output of the third section for the bubble sort:

procedure (file)	line	bytes	cycles	%	cum %
main (foo.c)	7	44	605	12.11	12.11
_cleanup (flsbuf.c)	59	20	500	10.01	22.13
fclose (flsbuf.c)	81	20	500	10.01	32.14
fclose (flsbuf.c)	94	20	500	10.01	42.15
_cleanup (flsbuf.c)	54	20	500	10.01	52.16
fclose (flsbuf.c)	76	16	400	8.01	60.17
main (foo.c)	10	24	298	5.97	66.14
main (foo.c)	8	36	207	4.14	70.28
....	..	..	..	...	...

Here you can see three entries for the main routine from *foo.c*, plus a number of system library routines. The entries show the associated line number and the number of machine cycles dedicated to executing that line as the program ran. For instance, line 7 of *foo.c* took 605 cycles (12% of the runtime).

### 2.2.5 Virtual Memory<sup>32</sup>

In addition to the negative performance impact due to cache misses, the virtual memory system can also slow your program down if it is too large to fit in the memory of the system or is competing with other large jobs for scarce memory resources.

Under most UNIX implementations, the operating system automatically pages pieces of a program that are too large for the available memory out to the swap area. The program won't be tossed out completely; that only happens when memory gets extremely tight, or when your program has been inactive for a while. Rather, individual pages are placed in the swap area for later retrieval. First of all, you need to be aware that this is happening if you don't already know about it. Second, if it is happening, the memory access patterns are critical. When references are too widely scattered, your runtime will be completely dominated by disk I/O.

If you plan in advance, you can make a virtual memory system work for you when your program is too large for the physical memory on the machine. The techniques are exactly the same as those for tuning a

<sup>32</sup>This content is available online at <<http://cnx.org/content/m33712/1.3/>>.

software-managed out-of-core solution, or loop nests. The process of “blocking” memory references so that data consumed in neighborhoods uses a bigger portion of each virtual memory page before rotating it out to disk to make room for another.<sup>33</sup>

### 2.2.5.1 Gauging the Size of Your Program and the Machine’s Memory

How can you tell if you are running out-of-core? There are ways to check for paging on the machine, but perhaps the most straightforward check is to compare the size of your program against the amount of available memory. You do this with the `size` command:

```
% size myprogram
```

On a System V UNIX machine, the output looks something like this:

```
53872 + 53460 + 10010772 = 10118104
```

On a Berkeley UNIX derivative you see something like this:

```
text    data    bss      hex      decimal
53872   53460   10010772 9a63d8   10118104
```

The first three fields describe the amount of memory required for three different portions of your program. The first, `text`, accounts for the machine instructions that make up your program. The second, `data`, includes initialized values in your program such as the contents of data statements, common blocks, externals, character strings, etc. The third component, `bss`, (block started by symbol), is usually the largest. It describes an uninitialized data area in your program. This area would be made of common blocks that are not set by a block data. The last field is a total for all three sections added together, in bytes.<sup>34</sup>

Next, you need to know how much memory you have in your system. Unfortunately, there isn’t a standard UNIX command for this. On the RS/6000, `/etc/lscfg` tells you. On an SGI machine, `/etc/hinv` does it. Many System V UNIX implementations have an `/etc/memsize` command. On any Berkeley derivative, you can type:

```
% ps aux
```

<sup>33</sup>We examine the techniques for blocking in Chapter 8.

<sup>34</sup>Warning: The `size` command won’t give you the full picture if your program allocates memory dynamically, or keeps data on the stack. This area is especially important for C programs and FORTRAN programs that create large arrays that are not in COMMON.



This command gives you a listing of all the processes running on the machine. Find the process with the largest value in the %MEM. Divide the value in the RSS field by the percentage of memory used to get a rough figure for how much memory your machine has:

```
memory = RSS/(%MEM/100)
```

For instance, if the largest process shows 5% memory usage and a resident set size (RSS) of 840 KB, your machine has  $840000/(5/100) = 16$  MB of memory.<sup>35</sup> If the answer from the size command shows a total that is anywhere near the amount of memory you have, you stand a good chance of paging when you run — especially if you are doing other things on the machine at the same time.

### 2.2.5.2 Checking for Page Faults

Your system's performance monitoring tools tell you if programs are paging. Some paging is OK; page faults and "page-ins" occur naturally as programs run. Also, be careful if you are competing for system resources along with other users. The picture you get won't be the same as when you have the computer to yourself.

To check for paging activity on a Berkeley UNIX derivative, use the *vmstat* command. Commonly people invoke it with a time increment so that it reports paging at regular intervals:

```
% vmstat 5
```

This command produces output every five seconds.

procs			memory				page				disk			faults			cpu				
r	b	w	avm	fre	re	at	pi	po	fr	de	sr	s0	d1	d2	d3	in	sy	cs	us	sy	id
0	0	0	824	21568	0	0	0	0	0	0	0	0	0	0	0	20	37	13	0	1	98
0	0	0	840	21508	0	0	0	0	0	0	0	1	0	0	0	251	186	156	0	10	90
0	0	0	846	21460	0	0	0	0	0	0	0	2	0	0	0	248	149	152	1	9	89
0	0	0	918	21444	0	0	0	0	0	0	0	4	0	0	0	258	143	152	2	10	89

Lots of valuable information is produced. For our purposes, the important fields are *avm* or *active virtual memory*, the *fre* or *free real memory*, and the *pi* and *po* numbers showing paging activity. When the *fre* figure drops to near zero, and the *po* field shows a lot of activity, it's an indication that the memory system is overworked.

On a SysV machine, paging activity can be seen with the *sar* command:

```
% sar -r 5 5
```

This command shows you the amount of free memory and swap space presently available. If the free memory figure is low, you can assume that your program is paging:

<sup>35</sup>You could also reboot the machine! It will tell you how much memory is available when it comes up.

```
Sat Apr 18 20:42:19
[r] freemem freeswap
      4032      82144
```

As we mentioned earlier, if you must run a job larger than the size of the memory on your machine, the same sort of advice that applied to conserving cache activity applies to paging activity.<sup>36</sup> Try to minimize the stride in your code, and where you can't, blocking memory references helps a whole lot.

A note on memory performance monitoring tools: you should check with your workstation vendor to see what they have available beyond *vmstat* or *sar*. There may be much more sophisticated (and often graphical) tools that can help you understand how your program is using memory.

### 2.2.6 Closing Notes<sup>37</sup>

We have seen some of the tools for timing and profiling. Even though it seems like we covered a lot, there are other kinds of profiles we would like to be able to cover — cache miss measurements, runtime dependency analysis, flop measurements, and so on. These profiles are good when you are looking for particular anomalies, such as cache miss or floating-point pipeline utilization. Profilers for these quantities exist for some machines, but they aren't widely distributed.

One thing to keep in mind: when you profile code you sometimes get a very limited view of the way a program is used. This is especially true if it can perform many types of analyses for many different sets of input data. Working with just one or two profiles can give you a distorted picture of how the code operates overall. Imagine the following scenario: someone invites you to take your very first ride in an automobile. You get in the passenger's seat with a sketch pad and a pen, and record everything that happens. Your observations include some of the following:

- The radio is always on.
- The windshield wipers are never used.
- The car moves only in a forward direction.

The danger is that, given this limited view of the way a car is operated, you might want to disconnect the radio's on/off knob, remove the windshield wipers, and eliminate the reverse gear. This would come as a real surprise to the next person who tries to back the car out on a rainy day! The point is that unless you are careful to gather data for *all kinds* of uses, you may not really have a picture of how the program operates. A single profile is fine for tuning a benchmark, but you may miss some important details on a multipurpose application. Worse yet, if you optimize it for one case and cripple it for another, you may do far more harm than good.

Profiling, as we saw in this chapter, is pretty mechanical. Tuning requires insight. It's only fair to warn you that it isn't always rewarding. Sometimes you pour your soul into a clever modification that actually increases the runtime. Argh! What went wrong? You'll need to depend on your profiling tools to answer that.

### 2.2.7 Exercises<sup>38</sup>

#### Exercise 2.2.7.1

Profile the following program using *gprof*. Is there any way to tell how much of the time spent in routine *c* was due to recursive calls?

<sup>36</sup>By the way, are you getting the message "Out of memory?" If you are running *csh*, try typing `unlimit` to see if the message goes away. Otherwise, it may mean that you don't have enough swap space available to run the job.

<sup>37</sup>This content is available online at <http://cnx.org/content/m33714/1.3/>.

<sup>38</sup>This content is available online at <http://cnx.org/content/m33718/1.3/>.

```

main()
{
    int i, n=10;
    for (i=0; i<1000; i++) {
        c(n);
        a(n);
    }
}
c(n)
int n;
{
    if (n > 0) {
        a(n-1);
        c(n-1);
    }
}
a(n)
int n;
{
    c(n);
}

```

**Exercise 2.2.7.2**

Profile an engineering code (floating-point intensive) with full optimization on and off. How does the profile change? Can you explain the change?

**Exercise 2.2.7.3**

Write a program to determine the overhead of the `getrusage` and the `etime` calls. Other than consuming processor time, how can making a system call to check the time too often alter the application performance?

## 2.3 Eliminating Clutter

### 2.3.1 Introduction<sup>39</sup>

We have looked at code from the compiler's point of view and at how to profile code to find the trouble spots. This is good information, but if you are dissatisfied with a code's performance, you might still be wondering what to do about it. One possibility is that your code is too obtuse for the compiler to optimize properly. Excess code, too much modularization, or even previous optimization-related "improvements" can clutter up your code and confuse the compilers. Clutter is anything that contributes to the runtime without contributing to the answer. It comes in two forms:

#### Things that contribute to overhead

Subroutine calls, indirect memory references, tests within loops, wordy tests, type conversions, variables preserved unnecessarily

<sup>39</sup>This content is available online at <http://cnx.org/content/m33720/1.3/>.

**Things that restrict compiler flexibility**

Subroutine calls, indirect memory references, tests within loops, ambiguous pointers

It's not a mistake that some of the same items appear in both lists. Subroutine calls or if-statements within loops can both bite and scratch you by taking too much time and by creating *fences* — places in the program where instructions that appear before can't be safely intermixed with instructions that appear after, at least not without a great deal of care. The goal of this chapter is to show you how to eliminate clutter, so you can restructure what's left over for the fastest execution. We save a few specific topics that might fit here, especially those regarding memory references, for later chapters where they are treated as subjects by themselves.

Before we start, we'll remind you: as you look for ways to improve what you have, keep your eyes and mind open to the possibility that there might be a fundamentally better way to do something—a more efficient sorting technique, random number generator, or solver. A different algorithm may buy you far more speed than tuning. Algorithms are beyond the scope of this book, but what we are discussing here should help you recognize “good” code, or help you to code a new algorithm to get the best performance.

**2.3.2 Subroutine Calls<sup>40</sup>**

A typical corporation is full of frightening examples of overhead. Say your department has prepared a stack of paperwork to be completed by another department. What do you have to do to transfer that work? First, you have to be sure that your portion is completed; you can't ask them to take over if the materials they need aren't ready. Next, you need to package the materials — data, forms, charge numbers, and the like. And finally comes the official transfer. Upon receiving what you sent, the other department has to unpack it, do their job, repackage it, and send it back.

A lot of time gets wasted moving work between departments. Of course, if the overhead is minimal compared to the amount of useful work being done, it won't be that big a deal. But it might be more efficient for small jobs to stay within one department. The same is true of subroutine and function calls. If you only enter and exit modules once in a relative while, the overhead of saving registers and preparing argument lists won't be significant. However, if you are repeatedly calling a few small subroutines, the overhead can buoy them to the top of the profile. It might be better if the work stayed where it was, in the calling routine.

Additionally, subroutine calls inhibit compiler flexibility. Given the right opportunity, you'd like your compiler to have the freedom to intermix instructions that aren't dependent upon each other. These are found on either side of a subroutine call, in the caller and callee. But the opportunity is lost when the compiler can't peer into subroutines and functions. Instructions that might overlap very nicely have to stay on their respective sides of the artificial fence.

It helps if we illustrate the challenge that subroutine boundaries present with an exaggerated example. The following loop runs very well on a wide range of processors:

```
DO I=1,N
  A(I) = A(I) + B(I) * C
ENDDO
```

The code below performs the same calculations, but look at what we have done:

---

<sup>40</sup>This content is available online at <<http://cnx.org/content/m33721/1.3/>>.

```

DO I=1,N
  CALL MADD (A(I), B(I), C)
ENDDO
SUBROUTINE MADD (A,B,C)
  A = A + B * C
  RETURN
END

```

Each iteration calls a subroutine to do a small amount of work that was formerly within the loop. This is a particularly painful example because it involves floating-point calculations. The resulting loss of parallelism, coupled with the procedure call overhead, might produce code that runs 100 times slower. Remember, these operations are pipelined, and it takes a certain amount of “wind-up” time before the throughput reaches one operation per clock cycle. If there are few floating-point operations to perform between subroutine calls, the time spent winding up and winding down pipelines figures prominently.

Subroutine and function calls complicate the compiler’s ability to efficiently manage `COMMON` and `external` variables, delaying until the last possible moment actually storing them in memory. The compiler uses registers to hold the “live” values of many variables. When you make a call, the compiler cannot tell whether the subroutine will be changing variables that are declared as `external` or `COMMON`. Therefore, it’s forced to store any modified `external` or `COMMON` variables back into memory so that the callee can find them. Likewise, after the call has returned, the same variables have to be reloaded into registers because the compiler can no longer trust the old, register-resident copies. The penalty for saving and restoring variables can be substantial, especially if you are using lots of them. It can also be unwarranted if variables that ought to be local are specified as `external` or `COMMON`, as in the following code:

```

COMMON /USELESS/ K
DO K=1,1000
  IF (K .EQ. 1) CALL AUX
ENDDO

```

In this example, `K` has been declared as a `COMMON` variable. It is used only as a do-loop counter, so there really is no reason for it to be anything but local. However, because it is in a `COMMON` block, the call to `AUX` forces the compiler to store and reload `K` each iteration. This is because the side effects of the call are unknown.

So far, it looks as if we are preparing a case for huge main programs without any subroutines or functions! Not at all. Modularity is important for keeping source code compact and understandable. And frankly, the need for maintainability and modularity is always more important than the need for *small* performance improvements. However, there are a few approaches for streamlining subroutine calls that don’t require you to scrap modular coding techniques: macros and procedure inlining.

Remember, if the function or subroutine does a reasonable amount of work, procedure call overhead isn’t going to matter very much. However, if one small routine appears as a leaf node in one of the busiest sections of the call graph, you might want to think about inserting it in appropriate places in the program.

### 2.3.2.1 Macros

*Macros* are little procedures that are substituted inline at compile time. Unlike subroutines or functions, which are included once during the link, macros are replicated every place they are used. When the compiler makes its first pass through your program, it looks for patterns that match previous macro definitions and expands them inline. In fact, in later stages, the compiler sees an expanded macro as source code.

Macros are part of both C and FORTRAN (although the FORTRAN notion of a macro, the *statement function*, is reviled by the FORTRAN community, and won't survive much longer).<sup>41</sup> For C programs, macros are created with a `#define` construct, as demonstrated here:

```
#define average(x,y) ((x+y)/2)
main ()
{
    float q = 100, p = 50;
    float a;
    a = average(p,q);
    printf ("%f\n",a);
}
```

The first compilation step for a C program is a pass through the C preprocessor, `cpp`. This happens automatically when you invoke the compiler. `cpp` expands `#define` statements inline, replacing the pattern matched by the macro definition. In the program above, the statement:

```
a = average(p,q);
```

gets replaced with:

```
a = ((p+q)/2);
```

You have to be careful how you define the macro because it literally replaces the pattern located by `cpp`. For instance, if the macro definition said:

```
#define multiply(a,b) (a*b)
```

and you invoked it as:

```
c = multiply(x+t,y+v);
```

---

<sup>41</sup>The statement function has been eliminated in FORTRAN 90.

the resulting expansion would be `x+t*y+v` — probably not what you intended.

If you are a C programmer you may be using macros without being conscious of it. Many C header files (*.h*) contain macro definitions. In fact, some “standard” C library functions are really defined as macros in the header files. For instance, the function *getchar* can be linked in when you build your program. If you have a statement:

```
#include <stdio.h>
```

in your file, *getchar* is replaced with a macro definition at compile time, replacing the C library function.

You can make *cpp* macros work for FORTRAN programs too.<sup>42</sup> For example, a FORTRAN version of the C program above might look like this:

```
#define AVERAG(X,Y) ((X+Y)/2)
C
PROGRAM MAIN
REAL A,P,Q
DATA P,Q /50.,100./
A = AVERAG(P,Q)
WRITE (*,*) A
END
```

Without a little preparation, the `#define` statement is rejected by the FORTRAN compiler. The program first has to be preprocessed through *cpp* to replace the use of *AVERAG* with its macro definition. It makes compilation a two-step procedure, but that shouldn’t be too much of a burden, especially if you are building your programs under the control of the *make* utility. We would also suggest you store FORTRAN programs containing *cpp* directives under *filename.F* to distinguish them from unadorned FORTRAN. Just be sure you make your changes only to the *.F* files and not to the output from *cpp*. This is how you would preprocess FORTRAN *.F* files by hand:

```
% /lib/cpp -P < average.F > average.f
% f77 average.f -c
```

The FORTRAN compiler never sees the original code. Instead, the macro definition is substituted inline as if you had typed it yourself:

```
C
PROGRAM MAIN
REAL A,P,Q
```

---

<sup>42</sup>Some programmers use the standard UNIX *m4* preprocessor for FORTRAN

```
DATA P,Q /50.,100./ A = ((P+Q)/2)
WRITE (*,*) A
END
```

By the way, some FORTRAN compilers recognize the *.F* extension already, making the two-step process unnecessary. If the compiler sees the *.F* extension it invokes *cpp* automatically, compiles the output, and throws away the intermediate *.f* file. Try compiling a *.F* on your computer to see if it works.

Also, be aware that macro expansions may make source lines extend past column 72, which will probably make your FORTRAN compiler complain (or worse: it might pass unnoticed). Some compilers support input lines longer than 72 characters. On the Sun compilers the `-e` option allows extended input lines up to 132 characters long.

### 2.3.2.2 Procedure Inlining

Macro definitions tend to be pretty short, usually just a single statement. Sometimes you have slightly longer (but not too long) bits of code that might also benefit from being copied inline, rather than called as a subroutine or function. Again, the reason for doing this is to eliminate procedure call overhead and expose parallelism. If your compiler is capable of *inlining* subroutine and function definitions into the modules that call them, then you have a very natural, very portable way to write modular code without suffering the cost of subroutine calls.

Depending on the vendor, you can ask the compiler for procedure inlining by:

- Specifying which routines should be inlined on the compiler's command line
- Putting inlining directives into the source program
- Letting the compiler inline automatically

The directives and compile line options are not standard, so you have to check your compiler documentation. Unfortunately, you may learn that there is no such feature ("yet," always yet), or that it's an expensive extra. The third form of inlining in the list, automatic, is available from just a few vendors. Automatic inlining depends on a sophisticated compiler that can view the definitions of several modules at once.

There are some words of caution with regard to procedure inlining. You can easily do too much of it. If everything and anything is ingested into the body of its parents, the resulting executable may be so large that it repeatedly spills out of the instruction cache and becomes a net performance loss. Our advice is that you use the caller/callee information profilers give you and make some intelligent decisions about inlining, rather than trying to inline every subroutine available. Again, small routines that are called often are generally the best candidates for inlining.

### 2.3.3 Branches<sup>43</sup>

People sometimes take a week to make a decision, so we can't fault a computer if it takes a few tens of nanoseconds. However, if an if-statement appears in some heavily traveled section of the code, you might get tired of the delay. There are two basic approaches to reducing the impact of branches:

- Streamline them.
- Move them out to the computational suburbs. Particularly, get them out of loops.

In Section 2.3.4 we show you some easy ways to reorganize conditionals so they execute more quickly.

<sup>43</sup>This content is available online at <http://cnx.org/content/m33722/1.3/>.



### 2.3.4 Branches With Loops<sup>44</sup>

Numerical codes usually spend most of their time in loops, so you don't want anything inside a loop that doesn't have to be there, especially an if-statement. Not only do if-statements gum up the works with extra instructions, they can force a strict order on the iterations of a loop. Of course, you can't always avoid conditionals. Sometimes, though, people place them in loops to process events that could have been handled outside, or even ignored.

To take you back a few years, the following code shows a loop with a test for a value close to zero:

```
PARAMETER (SMALL = 1.E-20)
DO I=1,N
  IF (ABS(A(I)) .GE. SMALL) THEN
    B(I) = B(I) + A(I) * C
  ENDIF
ENDDO
```

The idea was that if the multiplier,  $A(I)$ , were reasonably small, there would be no reason to perform the math in the center of the loop. Because floating-point operations weren't pipelined on many machines, a comparison and a branch was cheaper; the test would save time. On an older CISC or early RISC processor, a comparison and branch is probably still a savings. But on other architectures, it costs a lot less to just perform the math and skip the test. Eliminating the branch eliminates a control dependency and allows the compiler to pipeline more arithmetic operations. Of course, the answer could change slightly if the test is eliminated. It then becomes a question of whether the difference is significant. Here's another example where a branch isn't necessary. The loop finds the absolute value of each element in an array:

```
DO I=1,N
  IF (A(I) .LT. 0.) A(I) = -A(I)
ENDDO
```

But why perform the test at all? On most machines, it's quicker to perform the `abs()` operation on every element of the array.

We do have to give you a warning, though: if you are coding in C, the absolute value, `fabs()`, is a subroutine call. In this particular case, you are better off leaving the conditional in the loop.<sup>45</sup>

When you can't always throw out the conditional, there are things you can do to minimize negative performance. First, we have to learn to recognize which conditionals within loops can be restructured and which cannot. Conditionals in loops fall into several categories:

- Loop invariant conditionals
- Loop index dependent conditionals
- Independent loop conditionals
- Dependent loop conditionals
- Reductions

<sup>44</sup>This content is available online at <http://cnx.org/content/m33723/1.3/>.

<sup>45</sup>The machine representation of a floating-point number starts with a sign bit. If the bit is 0, the number is positive. If it is 1, the number is negative. The fastest absolute value function is one that merely "ands" out the sign bit. See macros in `/usr/include/macros.h` and `/usr/include/math.h`.

- Conditionals that transfer control

Let's look at these types in turn.

#### 2.3.4.1 Loop Invariant Conditionals

The following loop contains an *invariant* test:

```
DO I=1,K
  IF (N .EQ. 0) THEN
    A(I) = A(I) + B(I) * C
  ELSE
    A(I) = 0.
  ENDIF
ENDDO
```

“Invariant” means that the outcome is always the same. Regardless of what happens to the variables A, B, C, and I, the value of N won't change, so neither will the outcome of the test.

You can recast the loop by making the test outside and replicating the loop body twice — once for when the test is true, and once for when it is false, as in the following example:

```
IF (N .EQ. 0) THEN
  DO I=1,K
    A(I) = A(I) + B(I) * C
  ENDDO
ELSE
  DO I=1,K
    A(I) = 0
  ENDDO
ENDIF
```

The effect on the runtime is dramatic. Not only have we eliminated K-1 copies of the test, we have also assured that the computations in the middle of the loop are not control-dependent on the if-statement, and are therefore much easier for the compiler to pipeline.

We remember helping someone optimize a program with loops containing similar conditionals. They were checking to see whether debug output should be printed each iteration inside an otherwise highly optimizable loop. We can't fault the person for not realizing how much this slowed the program down. Performance wasn't important at the time. The programmer was just trying to get the code to produce good answers. But later on, when performance mattered, by cleaning up invariant conditionals, we were able to speed up the program by a factor of 100.

#### 2.3.4.2 Loop Index Dependent Conditionals

For *loop index dependent* conditionals, the test is true for certain ranges of the loop index variables. It isn't always true or always false, like the conditional we just looked at, but it does change with a predictable pattern, and one that we can use to our advantage. The following loop has two index variables, I and J.

```

DO I=1,N
  DO J=1,N
    IF ( J .LT. I)
      A(J,I) = A(J,I) + B(J,I) * C
    ELSE
      A(J,I) = 0.0
    ENDIF
  ENDDO
ENDDO

```

Notice how the if-statement partitions the iterations into distinct sets: those for which it is true and those for which it is false. You can take advantage of the predictability of the test to restructure the loop into several loops — each custom-made for a different partition:

```

DO I=1,N
  DO J=1,I-1
    A(J,I) = A(J,I) + B(J,I) * C
  ENDDO
  DO J=I,N
    A(J,I) = 0.0
  ENDDO
ENDDO

```

The new version will almost always be faster. A possible exception is when  $N$  is a small value, like 3, in which case we have created more clutter. But then, the loop probably has such a small impact on the total runtime that it won't matter which way it's coded.

### 2.3.4.3 Independent Loop Conditionals

It would be nice if you could optimize every loop by partitioning it. But more often than not, the conditional doesn't directly depend on the value of the index variables. Although an index variable may be involved in addressing an array, it doesn't create a recognizable pattern in advance — at least not one you can see when you are writing the program. Here's such a loop:

```

DO I=1,N
  DO J=1,N
    IF (B(J,I) .GT. 1.0) A(J,I) = A(J,I) + B(J,I) * C
  ENDDO
ENDDO

```

There is not much you can do about this type of conditional. But because every iteration is independent, the loop can be unrolled or can be performed in parallel.

### 2.3.4.4 Dependent Loop Conditionals

When the conditional is based on a value that changes with each iteration of the loop, the compiler has no choice but to execute the code exactly as written. For instance, the following loop has an if-statement with built-in scalar recursion:

```
DO I=1,N
  IF (X .LT. A(I)) X = X + B(I)*2.
ENDDO
```

You can't know which way the branch will go for the next iteration until you are done with the current iteration. To recognize the dependency, try to unroll the loop slightly by hand. If you can't start the second test until the first has finished, you have a *dependent loop* conditional. You may want to look at these types of loops to see if you can eliminate the iteration-to-iteration value.

### 2.3.4.5 Reductions

Keep an eye out for loops in which the if-statement is performing a max or min function on a array. This is a *reduction*, so called because it reduces a array to a scalar result (the previous example was a reduction too, by the way). Again, we are getting a little bit ahead of ourselves, but since we are talking about if-statements in loops, I want to introduce a trick for restructuring reductions `max` and `min` to expose more parallelism. The following loop searches for the maximum value, `z`, in the array `a` by going through the elements one at a time:

```
for (i=0; i<n; i++)
  z = a[i] > z ? a[i] : z;
```

As written, it's recursive like the loop from the previous section. You need the result of a given iteration before you can proceed to the next. However, since we are looking for the greatest element in the whole array, and since that will be the same element (essentially) no matter how we go about looking for it, we can restructure the loop to check several elements at a time (we assume `n` is evenly divisible by 2 and do not include the preconditioning loop):

```
z0 = 0.;
z1 = 0.;
for (i=0; i< n-1; i+=2) {
  z0 = z0 < a[i] ? a[i] : z0;
  z1 = z1 < a[i+1] ? a[i+1] : z1;
}
z = z0 < z1 ? z1 : z0;
```

Do you see how the new loop calculates two new maximum values each iteration? These maximums are then compared with one another, and the winner becomes the new official *max*. It's analogous to a play-off

arrangement in a Ping-Pong tournament. Whereas the old loop was more like two players competing at a time while the rest sat around, the new loop runs several matches side by side. In general this particular optimization is not a good one to code by hand. On parallel processors, the compiler performs the reduction in its own way. If you hand-code similar to this example, you may inadvertently limit the compiler's flexibility on a parallel system.

#### 2.3.4.6 Conditionals That Transfer Control

Let's step back a second. Have you noticed a similarity among all the loops so far? We have looked only at a particular type of conditional, *conditional assignments* — based on the outcome of the test, a variable gets reassigned. Of course, not every conditional ends up in an assignment. You can have statements that transfer flow of control, such as subroutine calls or `goto` statements. In the following example, the programmer is carefully checking before dividing by zero.

However, this test has an extremely negative impact on the performance because it forces the iterations to be done precisely in order:

```
DO I=1,N
  DO J=1,N
    IF (B(J,I) .EQ. 0 ) THEN
      PRINT *,I,J
      STOP
    ENDIF
    A(J,I) = A(J,I) / B(J,I)
  ENDDO
ENDDO
```

Avoiding these tests is one of the reasons that the designers of the IEEE floating-point standard added the trap feature for operations such as dividing by zero. These traps allow the programmer in a performance-critical section of the code to achieve maximum performance yet still detect when an error occurs.

### 2.3.5 Other Clutter<sup>46</sup>

Clutter comes in many forms. Consider the previous sections as having dealt with large pieces of junk you might find in the front hall closet: an ironing board, hockey sticks, and pool cues. Now we are down to the little things: a widowed checker, a tennis ball, and a hat nobody owns. We want to mention a few of them here. We apologize in advance for changing subjects a lot, but that's the nature of cleaning out a closet!

#### 2.3.5.1 Data Type Conversions

Statements that contain runtime type conversions suffer a little performance penalty each time the statement is executed. If the statement is located in a portion of the program where there is a lot of activity, the total penalty can be significant.

People have their reasons for writing applications with mixed typing. Often it is a matter of saving memory space, memory bandwidth, or time. In the past, for instance, double-precision calculations took twice as long as their single-precision counterparts, so if some of the calculations could be arranged to take place in single precision, there could be a performance win.<sup>47</sup> But any time saved by performing part of the calculations in single precision and part in double precision has to be measured against the additional

<sup>46</sup>This content is available online at <<http://cnx.org/content/m33724/1.3/>>.

<sup>47</sup>Nowadays, single-precision calculations can take *longer* than double-precision calculations from register to register.

overhead caused by the runtime type conversions. In the following code, the addition of  $A(I)$  to  $B(I)$  is *mixed type*:

```

INTEGER NUMEL, I
PARAMETER (NUMEL = 1000)
REAL*8 A(NUMEL)
REAL*4 B(NUMEL)
DO I=1,NUMEL
  A(I) = A(I) + B(I)
ENDDO

```

In each iteration,  $B(I)$  has to be promoted to double precision before the addition can occur. You don't see the promotion in the source code, but it's there, and it takes time.

C programmers beware: in Kernighan and Ritchie (K&R) C, all floating-point calculations in C programs take place in double precision — even if all the variables involved are declared as *float*. It is possible for you to write a whole K+R application in one precision, yet suffer the penalty of many type conversions.

Another data type-related mistake is to use character operations in IF tests. On many systems, character operations have poorer performance than integer operations since they may be done via procedure calls. Also, the optimizers may not look at code using character variables as a good candidate for optimization. For example, the following code:

```

DO I=1,10000
  IF ( CHVAR(I) .EQ. 'Y' ) THEN
    A(I) = A(I) + B(I)*C
  ENDIF
ENDDO

```

might be better written using an integer variable to indicate whether or not a computation should be performed:

```

DO I=1,10000
  IF ( IFLAG(I) .EQ. 1 ) THEN
    A(I) = A(I) + B(I)*C
  ENDIF
ENDDO

```

Another way to write the code, assuming the IFLAG variable was 0 or 1, would be as follows:

```

DO I=1,10000

```

```

    A(I) = A(I) + B(I)*C*IFLAG(I)
  ENDDO

```

The last approach might actually perform slower on some computer systems than the approach using the IF and the integer variable.

### 2.3.5.2 Doing Your Own Common Subexpression Elimination

So far we have given your compiler the benefit of the doubt. *Common subexpression elimination* — the ability of the compiler to recognize repeated patterns in the code and replace all but one with a temporary variable — probably works on your machine for simple expressions. In the following lines of code, most compilers would recognize `a+b` as a common subexpression:

```

c = a + b + d
e = q + a + b

```

becomes:

```

temp = a + b
c = temp + d
e = q + temp

```

Substituting for `a+b` eliminates some of the arithmetic. If the expression is reused many times, the savings can be significant. However, a compiler's ability to recognize common subexpressions is limited, especially when there are multiple components, or their order is permuted. A compiler might not recognize that `a+b+c` and `c+b+a` are equivalent.<sup>48</sup> For important parts of the program, you might consider doing common subexpression elimination of complicated expressions by hand. This guarantees that it gets done. It compromises beauty somewhat, but there are some situations where it is worth it.

Here's another example in which the function `sin` is called twice with the same argument:

```

x = r*sin(a)*cos(b);
y = r*sin(a)*sin(b);
z = r*cos(a);

```

becomes:

```

temp = r*sin(a);

```

---

<sup>48</sup>And because of overflow and round-off errors in floating-point, in some situations they might not be equivalent.

```
x = temp*cos(b);
y = temp*sin(b);
z = r*cos(a);
```

We have replaced one of the calls with a temporary variable. We agree, the savings for eliminating one transcendental function call out of five won't win you a Nobel prize, but it does call attention to an important point: compilers typically do not perform common subexpression elimination over subroutine or function calls. The compiler can't be sure that the subroutine call doesn't change the state of the argument or some other variables that it can't see.

The only time a compiler might eliminate common subexpressions containing function calls is when they are intrinsics, as in FORTRAN. This can be done because the compiler can assume some things about their side effects. You, on the other hand, can see into subroutines, which means you are better qualified than the compiler to group together common subexpressions involving subroutines or functions.

### 2.3.5.3 Doing Your Own Code Motion

All of these optimizations have their biggest payback within loops because that's where all of a program's activity is concentrated. One of the best ways to cut down on runtime is to move unnecessary or repeated (invariant) instructions out of the main flow of the code and into the suburbs. For loops, it's called *hoisting* instructions when they are pulled out from the top and *sinking* when they are pushed down below. Here's an example:

```
DO I=1,N
  A(I) = A(I) / SQRT(X*X + Y*Y)
ENDDO
```

becomes:

```
TEMP = 1 / SQRT(X*X + Y*Y)
DO I=1,N
  A(I) = A(I) * TEMP
ENDDO
```

We hoisted an expensive, invariant operation out of the loop and assigned the result to a temporary variable. Notice, too, that we made an algebraic simplification when we exchanged a division for multiplication by an inverse. The multiplication will execute much more quickly. Your compiler might be smart enough to make these transformations itself, assuming you have instructed the compiler that these are legal transformations; but without crawling through the assembly language, you can't be positive. Of course, if you rearrange code by hand and the runtime for the loop suddenly goes down, you will know that the compiler has been sandbagging all along.

Sometimes you want to sink an operation below the loop. Usually, it's some calculation performed each iteration but whose result is only needed for the last. To illustrate, here's a sort of loop that is different from the ones we have been looking at. It searches for the final character in a character string:



```
while (*p != ' ')
    c = *p++;
```

becomes:

```
while (*p++ != ' ');
c = *(p-1);
```

The new version of the loop moves the assignment of `c` beyond the last iteration. Admittedly, this transformation would be a reach for a compiler and the savings wouldn't even be that great. But it illustrates the notion of sinking an operation very well.

Again, hoisting or sinking instructions to get them out of loops is something your compiler should be capable of doing. But often you can slightly restructure the calculations yourself when you move them to get an even greater benefit.

#### 2.3.5.4 Handling Array Elements in Loops

Here's another area where you would like to trust the compiler to do the right thing. When making repeated use of an array element within a loop, you want to be charged just once for loading it from memory. Take the following loop as an example. It reuses `X(I)` twice:

```
DO I=1,N
    XOLD(I) = X(I)
    X(I)= X(I) + XINC(I)
ENDDO
```

In reality, the steps that go into retrieving `X(I)` are just additional common subexpressions: an address calculation (possibly) and a memory load operation. You can see that the operation is repeated by rewriting the loop slightly:

```
DO I=1,N
    TEMP= X(I)
    XOLD(I) = TEMP
    X(I)= TEMP + XINC(I)
ENDDO
```

FORTRAN compilers *should* recognize that the same `X(I)` is being used twice and that it only needs to be loaded once, but compilers aren't always so smart. You sometimes have to create a temporary scalar

variable to hold the value of an array element over the body of a loop. This is particularly true when there are subroutine calls or functions in the loop, or when some of the variables are `external` or `COMMON`. Make sure to match the types between the temporary variables and the other variables. You don't want to incur type conversion overhead just because you are "helping" the compiler. For C compilers, the same kind of indexed expressions are an even greater challenge. Consider this code:

```
doinc(int xold[],int x[],int xinc[],int n)
{
  for (i=0; i<n; i++) {
    xold[i] = x[i];
    x[i]= x[i] + xinc[i];
  }
}
```

Unless the compiler can see the definitions of `x`, `xinc`, and `xold`, it has to assume that they are pointers leading back to the same storage, and repeat the loads and stores. In this case, introducing temporary variables to hold the values `x`, `xinc`, and `xold` is an optimization the compiler wasn't free to make.

Interestingly, while putting scalar temporaries in the loop is useful for RISC and superscalar machines, it doesn't help code that runs on parallel hardware. A parallel compiler looks for opportunities to eliminate the scalars or, at the very least, to replace them with temporary vectors. If you run your code on a parallel machine from time to time, you might want to be careful about introducing scalar temporary variables into a loop. A dubious performance gain in one instance could be a real performance loss in another.

### 2.3.6 Closing Notes<sup>49</sup>

In this chapter, we introduced tuning techniques for eliminating program clutter — anything that contributes to the runtime without contributing to the answer. We saw many examples of tuning techniques — enough that you may be asking yourself, "What's left?" Well, as we will see in the upcoming chapters, there are a couple of ways we can help the compiler:

- Find more parallelism
- Use memory as effectively as possible

Sometimes this means we make changes that are not beautiful. However, they are often quick.

### 2.3.7 Exercises<sup>50</sup>

#### Exercise 2.3.7.1

How would you simplify the following loop conditional?

```
DO I=1,N
  A(I) = A(I) * B
  IF (I .EQ. N/2) A(I) = 0.
ENDDO
```

<sup>49</sup>This content is available online at <<http://cnx.org/content/m33725/1.3/>>.

<sup>50</sup>This content is available online at <<http://cnx.org/content/m33727/1.3/>>.

**Exercise 2.3.7.2**

Time this loop on your computer, both with and without the test. Run it with three sets of data: one with all  $A(I)$ s less than `SMALL`, one with all  $A(I)$ s greater than `SMALL`, and one with an even split. When is it better to leave the test in the loop, if ever?

```

PARAMETER (SMALL = 1.E-20)
DO I=1,N
  IF (ABS(A(I)) .GE. SMALL) THEN
    B(I) = B(I) + A(I) * C
  ENDIF
ENDDO

```

**Exercise 2.3.7.3**

Write a simple program that calls a simple subroutine in its inner loop. Time the program execution. Then tell the compiler to inline the routine and test the performance again. Finally, modify the code to perform the operations in the body of the loop and time the code. Which option ran faster? You may have to look at the generated machine code to figure out why.

## 2.4 Loop Optimizations

### 2.4.1 Introduction<sup>51</sup>

In nearly all high performance applications, loops are where the majority of the execution time is spent. In Section 2.3.1 we examined ways in which application developers introduced clutter into loops, possibly slowing those loops down. In this chapter we focus on techniques used to improve the performance of these “clutter-free” loops. Sometimes the compiler is clever enough to generate the faster versions of the loops, and other times we have to do some rewriting of the loops ourselves to help the compiler.

It’s important to remember that one compiler’s performance enhancing modifications are another compiler’s clutter. When you make modifications in the name of performance you must make sure you’re helping by testing the performance with and without the modifications. Also, when you move to another architecture you need to make sure that any modifications aren’t hindering performance. For this reason, you should choose your performance-related modifications wisely. You should also keep the original (simple) version of the code for testing on new architectures. Also if the benefit of the modification is small, you should probably keep the code in its most simple and clear form.

We look at a number of different loop optimization techniques, including:

- Loop unrolling
- Nested loop optimization
- Loop interchange
- Memory reference optimization
- Blocking
- Out-of-core solutions

Someday, it may be possible for a compiler to perform all these loop optimizations automatically. Typically loop unrolling is performed as part of the normal compiler optimizations. Other optimizations may have to

<sup>51</sup>This content is available online at <http://cnx.org/content/m33728/1.3/>.

be triggered using explicit compile-time options. As you contemplate making manual changes, look carefully at which of these optimizations can be done by the compiler. Also run some tests to determine if the compiler optimizations are as good as hand optimizations.

### 2.4.2 Operation Counting<sup>52</sup>

Before you begin to rewrite a loop body or reorganize the order of the loops, you must have some idea of what the body of the loop does for each iteration. *Operation counting* is the process of surveying a loop to understand the operation mix. You need to count the number of loads, stores, floating-point, integer, and library calls per iteration of the loop. From the count, you can see how well the operation mix of a given loop matches the capabilities of the processor. Of course, operation counting doesn't guarantee that the compiler will generate an efficient representation of a loop.<sup>53</sup> But it generally provides enough insight to the loop to direct tuning efforts.

Bear in mind that an instruction mix that is balanced for one machine may be imbalanced for another. Processors on the market today can generally issue some combination of one to four operations per clock cycle. Address arithmetic is often embedded in the instructions that reference memory. Because the compiler can replace complicated loop address calculations with simple expressions (provided the pattern of addresses is predictable), you can often ignore address arithmetic when counting operations.<sup>54</sup>

Let's look at a few loops and see what we can learn about the instruction mix:

```
DO I=1,N
  A(I,J,K) = A(I,J,K) + B(J,I,K)
ENDDO
```

This loop contains one floating-point addition and three memory references (two loads and a store). There are some complicated array index expressions, but these will probably be simplified by the compiler and executed in the same cycle as the memory and floating-point operations. For each iteration of the loop, we must increment the index variable and test to determine if the loop has completed.

A 3:1 ratio of memory references to floating-point operations suggests that we can hope for no more than 1/3 peak floating-point performance from the loop unless we have more than one path to memory. That's bad news, but good information. The ratio tells us that we ought to consider memory reference optimizations first.

The loop below contains one floating-point addition and two memory operations — a load and a store. Operand B(J) is loop-invariant, so its value only needs to be loaded once, upon entry to the loop:

```
DO I=1,N
  A(I) = A(I) + B(J)
ENDDO
```

Again, our floating-point throughput is limited, though not as severely as in the previous loop. The ratio of memory references to floating-point operations is 2:1.

<sup>52</sup>This content is available online at <<http://cnx.org/content/m33729/1.3/>>.

<sup>53</sup>Take a look at the assembly language output to be sure, which may be going a bit overboard. To get an assembly language listing on most machines, compile with the `-S` flag. On an RS/6000, use the `-qlist` flag.

<sup>54</sup>The compiler reduces the complexity of loop index expressions with a technique called *induction variable simplification*. See Section 2.1.1.

The next example shows a loop with better prospects. It performs element-wise multiplication of two vectors of complex numbers and assigns the results back to the first. There are six memory operations (four loads and two stores) and six floating-point operations (two additions and four multiplications):

```
for (i=0; i<n; i++) {
    xr[i] = xr[i] * yr[i] - xi[i] * yi[i];
    xi[i] = xr[i] * yi[i] + xi[i] * yr[i];
}
```

It appears that this loop is roughly balanced for a processor that can perform the same number of memory operations and floating-point operations per cycle. However, it might not be. Many processors perform a floating-point multiply and add in a single instruction. If the compiler is good enough to recognize that the multiply-add is appropriate, this loop may also be limited by memory references; each iteration would be compiled into two multiplications and two multiply-adds.

Again, operation counting is a simple way to estimate how well the requirements of a loop will map onto the capabilities of the machine. For many loops, you often find the performance of the loops dominated by memory references, as we have seen in the last three examples. This suggests that memory reference tuning is very important.

### 2.4.3 Basic Loop Unrolling<sup>55</sup>

The most basic form of loop optimization is loop unrolling. It is so basic that most of today's compilers do it automatically if it looks like there's a benefit. There has been a great deal of clutter introduced into old dusty-deck FORTRAN programs in the name of loop unrolling that now serves only to confuse and mislead today's compilers.

We're not suggesting that you unroll any loops by hand. The purpose of this section is twofold. First, once you are familiar with loop unrolling, you might recognize code that was unrolled by a programmer (not you) some time ago and simplify the code. Second, you need to understand the concepts of loop unrolling so that when you look at generated machine code, you recognize unrolled loops.

The primary benefit in loop unrolling is to perform more computations per iteration. At the end of each iteration, the index value must be incremented, tested, and the control is branched back to the top of the loop if the loop has more iterations to process. By unrolling the loop, there are less "loop-ends" per loop execution. Unrolling also reduces the overall number of branches significantly and gives the processor more instructions between branches (i.e., it increases the size of the basic blocks).

For illustration, consider the following loop. It has a single statement wrapped in a do-loop:

```
DO I=1,N
    A(I) = A(I) + B(I) * C
ENDDO
```

You can unroll the loop, as we have below, giving you the same operations in fewer iterations with less loop overhead. You can imagine how this would help on any computer. Because the computations in one iteration do not depend on the computations in other iterations, calculations from different iterations can be executed together. On a superscalar processor, portions of these four statements may actually execute in parallel:

<sup>55</sup>This content is available online at <<http://cnx.org/content/m33732/1.3/>>.

```

DO I=1,N,4
  A(I) = A(I) + B(I) * C
  A(I+1) = A(I+1) + B(I+1) * C
  A(I+2) = A(I+2) + B(I+2) * C
  A(I+3) = A(I+3) + B(I+3) * C
ENDDO

```

However, this loop is not *exactly* the same as the previous loop. The loop is unrolled four times, but what if  $N$  is not divisible by 4? If not, there will be one, two, or three spare iterations that don't get executed. To handle these extra iterations, we add another little loop to soak them up. The extra loop is called a *preconditioning loop*:

```

II = IMOD (N,4)
DO I=1,II
  A(I) = A(I) + B(I) * C
ENDDO

DO I=1+II,N,4
  A(I) = A(I) + B(I) * C
  A(I+1) = A(I+1) + B(I+1) * C
  A(I+2) = A(I+2) + B(I+2) * C
  A(I+3) = A(I+3) + B(I+3) * C
ENDDO

```

The number of iterations needed in the preconditioning loop is the total iteration count modulo for this unrolling amount. If, at runtime,  $N$  turns out to be divisible by 4, there are no spare iterations, and the preconditioning loop isn't executed.

Speculative execution in the post-RISC architecture can reduce or eliminate the need for unrolling a loop that will operate on values that must be retrieved from main memory. Because the load operations take such a long time relative to the computations, the loop is naturally unrolled. While the processor is waiting for the first load to finish, it may speculatively execute three to four iterations of the loop ahead of the first load, effectively unrolling the loop in the Instruction Reorder Buffer.

#### 2.4.4 Qualifying Candidates for Loop Unrolling Up one level <sup>56</sup>

Assuming a large value for  $N$ , the previous loop was an ideal candidate for loop unrolling. The iterations could be executed in any order, and the loop innards were small. But as you might suspect, this isn't always the case; some kinds of loops can't be unrolled so easily. Additionally, the way a loop is used when the program runs can disqualify it for loop unrolling, even if it looks promising.

In this section we are going to discuss a few categories of loops that are generally not prime candidates for unrolling, and give you some ideas of what you can do about them. We talked about several of these in the previous chapter as well, but they are also relevant here.

<sup>56</sup>This content is available online at <<http://cnx.org/content/m33733/1.3/>>.

#### 2.4.4.1 Loops with Low Trip Counts

To be effective, loop unrolling requires a fairly large number of iterations in the original loop. To understand why, picture what happens if the total iteration count is low, perhaps less than 10, or even less than 4. With a trip count this low, the preconditioning loop is doing a proportionately large amount of the work. It's not supposed to be that way. The preconditioning loop is supposed to catch the few leftover iterations missed by the unrolled, main loop. However, when the trip count is low, you make one or two passes through the unrolled loop, plus one or two passes through the preconditioning loop. In other words, you have more clutter; the loop shouldn't have been unrolled in the first place.

Probably the only time it makes sense to unroll a loop with a low trip count is when the number of iterations is constant and known at compile time. For instance, suppose you had the following loop:

```
PARAMETER (NITER = 3)
DO I=1,NITER
  A(I) = B(I) * C
ENDDO
```

Because `NITER` is hardwired to 3, you can safely unroll to a depth of 3 without worrying about a preconditioning loop. In fact, you can throw out the loop structure altogether and leave just the unrolled loop innards:

```
PARAMETER (NITER = 3)
A(1) = B(1) * C
A(2) = B(2) * C
A(3) = B(3) * C
```

Of course, if a loop's trip count is low, it probably won't contribute significantly to the overall runtime, unless you find such a loop at the center of a larger loop. Then you either want to unroll it completely or leave it alone.

#### 2.4.4.2 Fat Loops

Loop unrolling helps performance because it fattens up a loop with more calculations per iteration. By the same token, if a particular loop is already fat, unrolling isn't going to help. The loop overhead is already spread over a fair number of instructions. In fact, unrolling a fat loop may even slow your program down because it increases the size of the text segment, placing an added burden on the memory system (we'll explain this in greater detail shortly). A good rule of thumb is to look elsewhere for performance when the loop innards exceed three or four statements.

#### 2.4.4.3 Loops Containing Procedure Calls

As with fat loops, loops containing subroutine or function calls generally aren't good candidates for unrolling. There are several reasons. First, they often contain a fair number of instructions already. And if the subroutine being called is fat, it makes the loop that calls it fat as well. The size of the loop may not be apparent when you look at the loop; the function call can conceal many more instructions.

Second, when the calling routine and the subroutine are compiled separately, it's impossible for the compiler to intermix instructions. A loop that is unrolled into a series of function calls behaves much like the original loop, before unrolling.

Last, function call overhead is expensive. Registers have to be saved; argument lists have to be prepared. The time spent calling and returning from a subroutine can be much greater than that of the loop overhead. Unrolling to amortize the cost of the loop structure over several calls doesn't buy you enough to be worth the effort.

The general rule when dealing with procedures is to first try to eliminate them in the "remove clutter" phase, and when this has been done, check to see if unrolling gives an additional performance improvement.

#### 2.4.4.4 Loops with Branches in Them

In Section 2.3.1 we showed you how to eliminate certain types of branches, but of course, we couldn't get rid of them all. In cases of iteration-independent branches, there might be some benefit to loop unrolling. The IF test becomes part of the operations that must be counted to determine the value of loop unrolling. Below is a doubly nested loop. The inner loop tests the value of B(J,I):

```
DO I=1,N
  DO J=1,N
    IF (B(J,I) .GT. 1.0) A(J,I) = A(J,I) + B(J,I) * C
  ENDDO
ENDDO
```

Each iteration is independent of every other, so unrolling it won't be a problem. We'll just leave the outer loop undisturbed:

```
II = IMOD (N,4)
DO I=1,N
  DO J=1,II
    IF (B(J,I) .GT. 1.0)
+   A(J,I) = A(J,I) + B(J,I) * C
  ENDDO
  DO J=II+1,N,4
    IF (B(J,I) .GT. 1.0)
+   A(J,I) = A(J,I) + B(J,I) * C
    IF (B(J+1,I) .GT. 1.0)
+   A(J+1,I) = A(J+1,I) + B(J+1,I) * C
    IF (B(J+2,I) .GT. 1.0)
+   A(J+2,I) = A(J+2,I) + B(J+2,I) * C
    IF (B(J+3,I) .GT. 1.0)
+   A(J+3,I) = A(J+3,I) + B(J+3,I) * C
  ENDDO
ENDDO
```

This approach works particularly well if the processor you are using supports conditional execution. As described earlier, conditional execution can replace a branch and an operation with a single conditionally



executed assignment. On a superscalar processor with conditional execution, this unrolled loop executes quite nicely.

### 2.4.5 Nested Loops<sup>57</sup>

When you embed loops within other loops, you create a *loop nest*. The loop or loops in the center are called the *inner* loops. The surrounding loops are called *outer* loops. Depending on the construction of the loop nest, we may have some flexibility in the ordering of the loops. At times, we can swap the outer and inner loops with great benefit. In the next sections we look at some common loop nestings and the optimizations that can be performed on these loop nests.

Often when we are working with nests of loops, we are working with multidimensional arrays. Computing in multidimensional arrays can lead to non-unit-stride memory access. Many of the optimizations we perform on loop nests are meant to improve the memory access patterns.

First, we examine the computation-related optimizations followed by the memory optimizations.

#### 2.4.5.1 Outer Loop Unrolling

If you are faced with a loop nest, one simple approach is to unroll the inner loop. Unrolling the innermost loop in a nest isn't any different from what we saw above. You just pretend the rest of the loop nest doesn't exist and approach it in the normal way. However, there are times when you want to apply loop unrolling not just to the inner loop, but to outer loops as well — or perhaps only to the outer loops. Here's a typical loop nest:

```
for (i=0; i<n; i++)
  for (j=0; j<n; j++)
    for (k=0; k<n; k++)
      a[i][j][k] = a[i][j][k] + b[i][j][k] * c;
```

To unroll an outer loop, you pick one of the outer loop index variables and replicate the innermost loop body so that several iterations are performed at the same time, just like we saw in the Section 2.4.4. The difference is in the index variable for which you unroll. In the code below, we have unrolled the middle (j) loop twice:

```
for (i=0; i<n; i++)
  for (j=0; j<n; j+=2)
    for (k=0; k<n; k++) {
      a[i][j][k] = a[i][j][k] + b[i][k][j] * c;
      a[i][j+1][k] = a[i][j+1][k] + b[i][k][j+1] * c;
    }
```

We left the k loop untouched; however, we could unroll that one, too. That would give us outer *and* inner loop unrolling at the same time:

---

<sup>57</sup>This content is available online at <<http://cnx.org/content/m33734/1.3/>>.

```

for (i=0; i<n; i++)
  for (j=0; j<n; j+=2)
    for (k=0; k<n; k+=2) {
      a[i][j][k]      = a[i][j][k]      + b[i][k][j] * c;
      a[i][j+1][k]    = a[i][j+1][k]    + b[i][k][j+1] * c;
      a[i][j][k+1]    = a[i][j][k+1]    + b[i][k+1][j] * c;
      a[i][j+1][k+1] = a[i][j+1][k+1] + b[i][k+1][j+1] * c;
    }

```

We could even unroll the *i* loop too, leaving eight copies of the loop innards. (Notice that we completely ignored preconditioning; in a real application, of course, we couldn't.)

#### 2.4.5.2 Outer Loop Unrolling to Expose Computations

Say that you have a doubly nested loop and that the inner loop trip count is low — perhaps 4 or 5 on average. Inner loop unrolling doesn't make sense in this case because there won't be enough iterations to justify the cost of the preconditioning loop. However, you may be able to unroll an outer loop. Consider this loop, assuming that *M* is small and *N* is large:

```

DO I=1,N
  DO J=1,M
    A(J,I) = B(J,I) + C(J,I) * D
  ENDDO
ENDDO

```

Unrolling the *I* loop gives you lots of floating-point operations that can be overlapped:

```

II = IMOD (N,4)
DO I=1,II
  DO J=1,M
    A(J,I) = B(J,I) + C(J,I) * D
  ENDDO
ENDDO

DO I=II,N,4
  DO J=1,M
    A(J,I)   = B(J,I)   + C(J,I) * D
    A(J,I+1) = B(J,I+1) + C(J,I+1) * D
    A(J,I+2) = B(J,I+2) + C(J,I+2) * D
    A(J,I+3) = B(J,I+3) + C(J,I+3) * D
  ENDDO
ENDDO

```

In this particular case, there is bad news to go with the good news: unrolling the outer loop causes strided memory references on A, B, and C. However, it probably won't be too much of a problem because the inner loop trip count is small, so it naturally groups references to conserve cache entries.

Outer loop unrolling can also be helpful when you have a nest with recursion in the inner loop, but not in the outer loops. In this next example, there is a first- order linear recursion in the inner loop:

```
DO J=1,M
  DO I=2,N
    A(I,J) = A(I,J) + A(I-1,J) * B
  ENDDO
ENDDO
```

Because of the recursion, we can't unroll the inner loop, but we can work on several copies of the outer loop at the same time. When unrolled, it looks like this:

```
JJ = IMOD (M,4)
DO J=1, JJ
  DO I=2,N
    A(I,J) = A(I,J) + A(I-1,J) * B
  ENDDO
ENDDO

DO J=1+JJ, M,4
  DO I=2,N
    A(I,J)   = A(I,J)   + A(I-1,J)   * B
    A(I,J+1) = A(I,J+1) + A(I-1,J+1) * B
    A(I,J+2) = A(I,J+2) + A(I-1,J+2) * B
    A(I,J+3) = A(I,J+3) + A(I-1,J+3) * B
  ENDDO
ENDDO
```

You can see the recursion still exists in the I loop, but we have succeeded in finding lots of work to do anyway.

Sometimes the reason for unrolling the outer loop is to get a hold of much larger chunks of things that can be done in parallel. If the outer loop iterations are independent, and the inner loop trip count is high, then each outer loop iteration represents a significant, parallel chunk of work. On a single CPU that doesn't matter much, but on a tightly coupled multiprocessor, it can translate into a tremendous increase in speeds.

## 2.4.6 Loop Interchange<sup>58</sup>

Loop interchange is a technique for rearranging a loop nest so that the right stuff is at the center. What the right stuff is depends upon what you are trying to accomplish. In many situations, loop interchange also lets you swap high trip count loops for low trip count loops, so that activity gets pulled into the center of the loop nest.<sup>59</sup>

<sup>58</sup>This content is available online at <<http://cnx.org/content/m33736/1.3/>>.

<sup>59</sup>It's also good for improving memory access patterns.

### 2.4.6.1 Loop Interchange to Move Computations to the Center

When someone writes a program that represents some kind of real-world model, they often structure the code in terms of the model. This makes perfect sense. The computer is an analysis tool; you aren't writing the code on the computer's behalf. However, a model expressed naturally often works on one point in space at a time, which tends to give you insignificant inner loops — at least in terms of the trip count. For performance, you might want to interchange inner and outer loops to pull the activity into the center, where you can then do some unrolling. Let's illustrate with an example. Here's a loop where KDIM time-dependent quantities for points in a two-dimensional mesh are being updated:

```

PARAMETER (IDIM = 1000, JDIM = 1000, KDIM = 3)
...
DO I=1, IDIM
  DO J=1, JDIM
    DO K=1, KDIM
      D(K,J,I) = D(K,J,I) + V(K,J,I) * DT
    ENDDO
  ENDDO
ENDDO

```

In practice, KDIM is probably equal to 2 or 3, where J or I, representing the number of points, may be in the thousands. The way it is written, the inner loop has a very low trip count, making it a poor candidate for unrolling.

By interchanging the loops, you update one quantity at a time, across all of the points. For tuning purposes, this moves larger trip counts into the inner loop and allows you to do some strategic unrolling:

```

DO K=1, KDIM
  DO J=1, JDIM
    DO I=1, IDIM
      D(K,J,I) = D(K,J,I) + V(K,J,I) * DT
    ENDDO
  ENDDO
ENDDO

```

This example is straightforward; it's easy to see that there are no inter-iteration dependencies. But how can you tell, in general, when two loops can be inter- changed? Interchanging loops might violate some dependency, or worse, only violate it occasionally, meaning you might not catch it when optimizing. Can we interchange the loops below?

```

DO I=1, N-1
  DO J=2, N
    A(I, J) = A(I+1, J-1) * B(I, J)
    C(I, J) = B(J, I)
  
```

```

        ENDDO
    ENDDO

```

While it is possible to examine the loops by hand and determine the dependencies, it is much better if the compiler can make the determination. Very few single-processor compilers automatically perform loop interchange. However, the compilers for high-end vector and parallel computers generally interchange loops if there is some benefit and if interchanging the loops won't alter the program results.<sup>60</sup>

### 2.4.7 Memory Access Patterns<sup>61</sup>

The best pattern is the most straightforward: increasing and unit sequential. For an array with a single dimension, stepping through one element at a time will accomplish this. For multiply-dimensioned arrays, access is fastest if you iterate on the array subscript offering the smallest *stride* or step size. In FORTRAN programs, this is the leftmost subscript; in C, it is the rightmost. The FORTRAN loop below has unit stride, and therefore will run quickly:

```

DO J=1,N
  DO I=1,N
    A(I,J) = B(I,J) + C(I,J) * D
  ENDDO
ENDDO

```

In contrast, the next loop is slower because its stride is N (which, we assume, is greater than 1). As N increases from one to the length of the cache line (adjusting for the length of each element), the performance worsens. Once N is longer than the length of the cache line (again adjusted for element size), the performance won't decrease:

```

DO J=1,N
  DO I=1,N
    A(J,I) = B(J,I) + C(J,I) * D
  ENDDO
ENDDO

```

Here's a unit-stride loop like the previous one, but written in C:

```

for (i=0; i<n; i++)
  for (j=0; j<n; j++)
    a[i][j] = a[i][j] + c[i][j] * d;

```

---

<sup>60</sup>When the compiler performs automatic parallel optimization, it prefers to run the outermost loop in parallel to minimize overhead and unroll the innermost loop to make best use of a superscalar or vector processor. For this reason, the compiler needs to have some flexibility in ordering the loops in a loop nest.

<sup>61</sup>This content is available online at <<http://cnx.org/content/m33738/1.3/>>.

Unit stride gives you the best performance because it conserves cache entries. Recall how a data cache works.<sup>62</sup> Your program makes a memory reference; if the data is in the cache, it gets returned immediately. If not, your program suffers a cache miss while a new cache line is fetched from main memory, replacing an old one. The line holds the values taken from a handful of neighboring memory locations, including the one that caused the cache miss. If you loaded a cache line, took one piece of data from it, and threw the rest away, you would be wasting a lot of time and memory bandwidth. However, if you brought a line into the cache and consumed everything in it, you would benefit from a large number of memory references for a small number of cache misses. This is exactly what you get when your program makes unit-stride memory references.

The worst-case patterns are those that jump through memory, especially a large amount of memory, and particularly those that do so without apparent rhyme or reason (viewed from the outside). On jobs that operate on very large data structures, you pay a penalty not only for cache misses, but for TLB misses too.<sup>63</sup> It would be nice to be able to rein these jobs in so that they make better use of memory. Of course, you can't eliminate memory references; programs have to get to their data one way or another. The question is, then: how can we restructure memory access patterns for the best performance?

In the next few sections, we are going to look at some tricks for restructuring loops with strided, albeit predictable, access patterns. The tricks will be familiar; they are mostly loop optimizations from Section 2.3.1, used here for different reasons. The underlying goal is to minimize cache and TLB misses as much as possible. You will see that we can do quite a lot, although some of this is going to be ugly.

#### 2.4.7.1 Loop Interchange to Ease Memory Access Patterns

Loop interchange is a good technique for lessening the impact of strided memory references. Let's revisit our FORTRAN loop with non-unit stride. The good news is that we can easily interchange the loops; each iteration is independent of every other:

```
DO J=1,N
  DO I=1,N
    A(J,I) = B(J,I) + C(J,I) * D
  ENDDO
ENDDO
```

After interchange, A, B, and C are referenced with the leftmost subscript varying most quickly. This modification can make an important difference in performance. We traded three N-strided memory references for unit strides:

```
DO I=1,N
  DO J=1,N
    A(J,I) = B(J,I) + C(J,I) * D
  ENDDO
ENDDO
```

---

<sup>62</sup>See Section 1.1.1.

<sup>63</sup>The Translation Lookaside Buffer (TLB) is a cache of translations from virtual memory addresses to physical memory addresses. For more information, refer back to Section 1.1.1.

### 2.4.7.2 Matrix Multiplication

Matrix multiplication is a common operation we can use to explore the options that are available in optimizing a loop nest. A programmer who has just finished reading a linear algebra textbook would probably write matrix multiply as it appears in the example below:

```
DO I=1,N
  DO J=1,N
    SUM = 0
    DO K=1,N
      SUM = SUM + A(I,K) * B(K,J)
    ENDDO
    C(I,J) = SUM
  ENDDO
ENDDO
```

The problem with this loop is that the  $A(I,K)$  will be non-unit stride. Each iteration in the inner loop consists of two loads (one non-unit stride), a multiplication, and an addition.

Given the nature of the matrix multiplication, it might appear that you can't eliminate the non-unit stride. However, with a simple rewrite of the loops all the memory accesses can be made unit stride:

```
DO J=1,N
  DO I=1,N
    C(I,J) = 0.0
  ENDDO
ENDDO

DO K=1,N
  DO J=1,N
    SCALE = B(K,J)
    DO I=1,N
      C(I,J) = C(I,J) + A(I,K) * SCALE
    ENDDO
  ENDDO
ENDDO
```

Now, the inner loop accesses memory using unit stride. Each iteration performs two loads, one store, a multiplication, and an addition. When comparing this to the previous loop, the non-unit stride loads have been eliminated, but there is an additional store operation. Assuming that we are operating on a cache-based system, and the matrix is larger than the cache, this extra store won't add much to the execution time. The store is to the location in  $C(I,J)$  that was used in the load. In most cases, the store is to a line that is already in the in the cache. The  $B(K,J)$  becomes a constant scaling factor within the inner loop.

### 2.4.8 When Interchange Won't Work<sup>64</sup>

In the matrix multiplication code, we encountered a non-unit stride and were able to eliminate it with a quick interchange of the loops. Unfortunately, life is rarely this simple. Often you find some mix of variables with unit and non-unit strides, in which case interchanging the loops moves the damage around, but doesn't make it go away.

The loop to perform a matrix transpose represents a simple example of this dilemma:

```

DO I=1,N
  DO J=1,M
    A(J,I) = B(I,J)
  ENDDO
ENDDO

```

```

DO 20 J=1,M
  DO 10 I=1,N
    A(J,I) = B(I,J)
  ENDDO
ENDDO

```

Whichever way you interchange them, you will break the memory access pattern for either A or B. Even more interesting, you have to make a choice between strided loads vs. strided stores: which will it be?<sup>65</sup> We really need a general method for improving the memory access patterns for *both* A and B, not one or the other. We'll show you such a method in Section 2.4.9.

### 2.4.9 Blocking to Ease Memory Access Patterns<sup>66</sup>

*Blocking* is another kind of memory reference optimization. As with loop interchange, the challenge is to retrieve as much data as possible with as few cache misses as possible. We'd like to rearrange the loop nest so that it works on data in little neighborhoods, rather than striding through memory like a man on stilts. Given the following vector sum, how can we rearrange the loop?

```

DO I=1,N
  DO J=1,N
    A(J,I) = A(J,I) + B(I,J)
  ENDDO
ENDDO

```

This loop involves two vectors. One is referenced with unit stride, the other with a stride of N. We can interchange the loops, but one way or another we still have N-strided array references on either A or B, either of which is undesirable. The trick is to *block* references so that you grab a few elements of A, and then a few of B, and then a few of A, and so on — in neighborhoods. We make this happen by combining inner and outer loop unrolling:

<sup>64</sup>This content is available online at <<http://cnx.org/content/m33741/1.3/>>.

<sup>65</sup>I can't tell you which is the better way to cast it; it depends on the brand of computer. Some perform better with the loops left as they are, sometimes by more than a factor of two. Others perform better with them interchanged. The difference is in the way the processor handles updates of main memory from cache.

<sup>66</sup>This content is available online at <<http://cnx.org/content/m33756/1.3/>>.



```

DO I=1,N,2
  DO J=1,N,2
    A(J,I)      = A(J,I)      + B(I,J)
    A(J+1,I)    = A(J+1,I)    + B(I,J+1)
    A(J,I+1)    = A(J,I+1)    + B(I+1,J)
    A(J+1,I+1)  = A(J+1,I+1)  + B(I+1,J+1)
  ENDDO
ENDDO

```

Use your imagination so we can show why this helps. Usually, when we think of a two-dimensional array, we think of a rectangle or a square (see Figure 2.9 (Arrays A and B)). Remember, to make programming easier, the compiler provides the illusion that two-dimensional arrays A and B are rectangular plots of memory as in Figure 2.9 (Arrays A and B). Actually, memory is sequential storage. In FORTRAN, a two-dimensional array is constructed in memory by logically lining memory “strips” up against each other, like the pickets of a cedar fence. (It’s the other way around in C: rows are stacked on top of one another.) Array storage starts at the upper left, proceeds down to the bottom, and then starts over at the top of the next column. Stepping through the array with unit stride traces out the shape of a backwards “N,” repeated over and over, moving to the right.

---

Arrays A and B

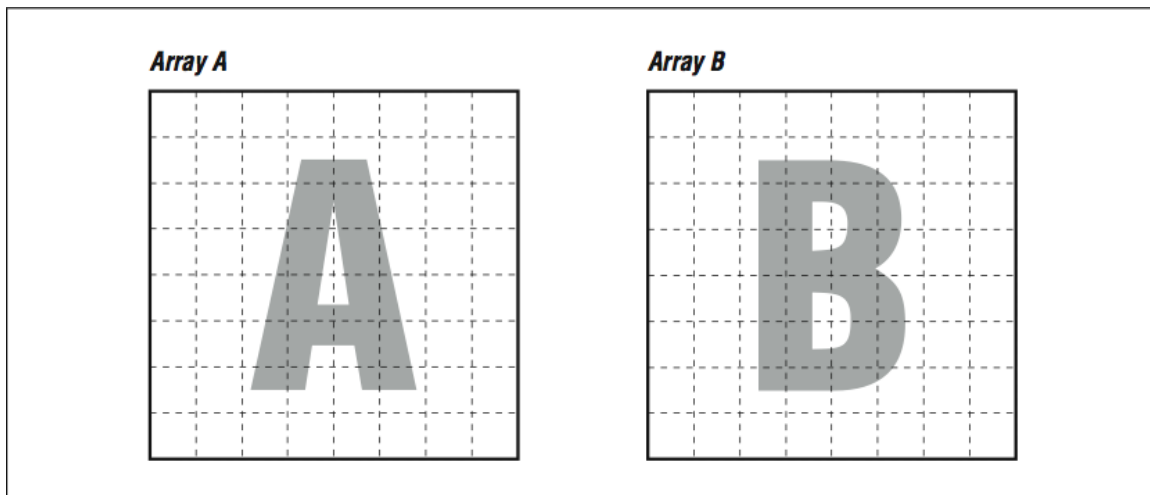


Figure 2.9

---

## How array elements are stored

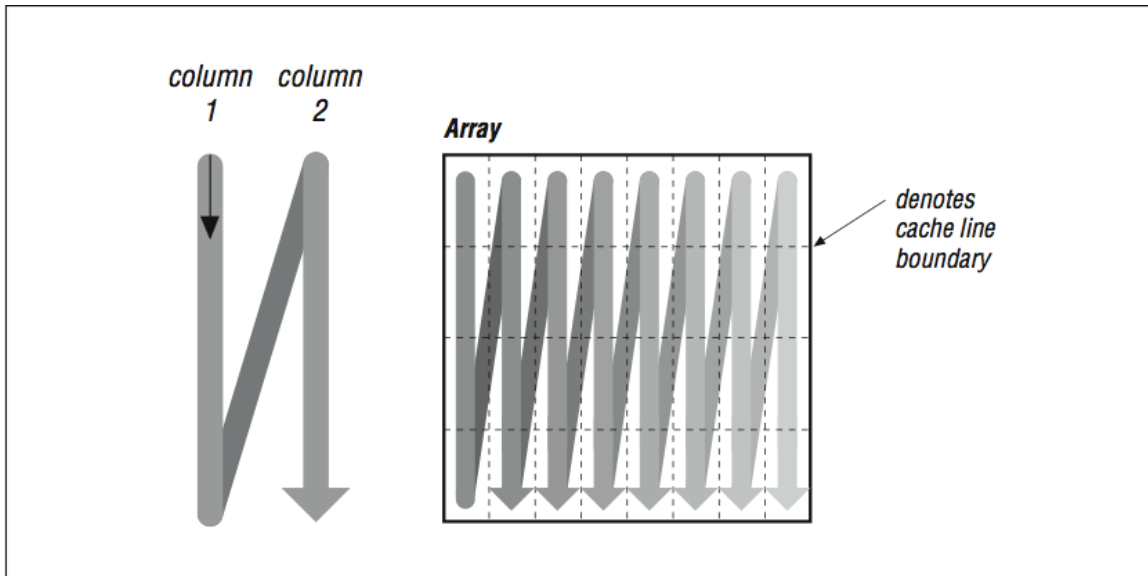


Figure 2.10

Imagine that the thin horizontal lines of Figure 2.10 (How array elements are stored) cut memory storage into pieces the size of individual cache entries. Picture how the loop will traverse them. Because of their index expressions, references to A go from top to bottom (in the backwards “N” shape), consuming every bit of each cache line, but references to B dash off to the right, using one piece of each cache entry and discarding the rest (see Figure 2.11 ( $2 \times 2$  squares), top). This low usage of cache entries will result in a high number of cache misses.

If we could somehow rearrange the loop so that it consumed the arrays in small rectangles, rather than strips, we could conserve some of the cache entries that are being discarded. This is exactly what we accomplished by unrolling both the inner and outer loops, as in the following example. Array A is referenced in several strips side by side, from top to bottom, while B is referenced in several strips side by side, from left to right (see Figure 2.11 ( $2 \times 2$  squares), bottom). This improves cache performance and lowers runtime.

For really big problems, more than cache entries are at stake. On virtual memory machines, memory references have to be translated through a TLB. If you are dealing with large arrays, TLB misses, in addition to cache misses, are going to add to your runtime.

$2 \times 2$  squares

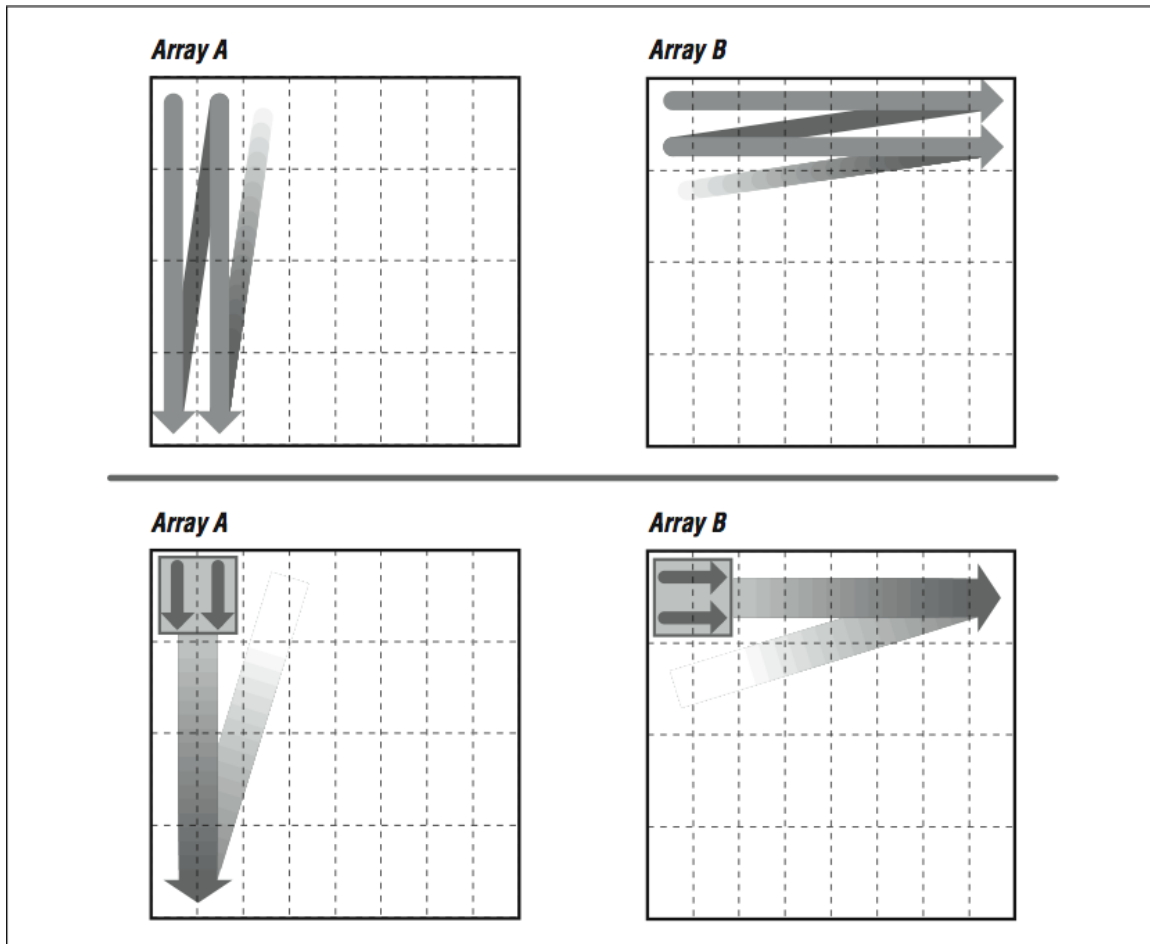


Figure 2.11

Here's something that may surprise you. In the code below, we rewrite this loop yet again, this time blocking references at two different levels: in  $2 \times 2$  squares to save cache entries, and by cutting the original loop in two parts to save TLB entries:

```

DO I=1,N,2
  DO J=1,N/2,2
    A(J,I) = A(J,I) + B(I,J)
    A(J+1,I) = A(J+1,I) + B(I+1,J)
    A(J,I+1) = A(J,I+1) + B(I+1,J)
    A(J+1,I+1) = A(J+1,I+1) + B(I+1,J+1)
  
```

```

ENDDO
ENDDO
DO I=1,N,2
  DO J=N/2+1,N,2
    A(J,I) = A(J,I) + B(I,J)
    A(J+1,I) = A(J+1,I) + B(I+1,J)
    A(J,I+1) = A(J,I+1) + B(I+1,J)
    A(J+1,I+1) = A(J+1,I+1) + B(I+1,J+1)
  ENDDO
ENDDO

```

You might guess that adding more loops would be the wrong thing to do. But if you work with a reasonably large value of  $N$ , say 512, you will see a significant increase in performance. This is because the two arrays  $A$  and  $B$  are each  $256 \text{ KB} \times 8 \text{ bytes} = 2 \text{ MB}$  when  $N$  is equal to 512 — larger than can be handled by the TLBs and caches of most processors.

The two boxes in Figure 2.12 (Picture of unblocked versus blocked references) illustrate how the first few references to  $A$  and  $B$  look superimposed upon one another in the blocked and unblocked cases. Unblocked references to  $B$  zing off through memory, eating through cache and TLB entries. Blocked references are more sparing with the memory system.

Picture of unblocked versus blocked references

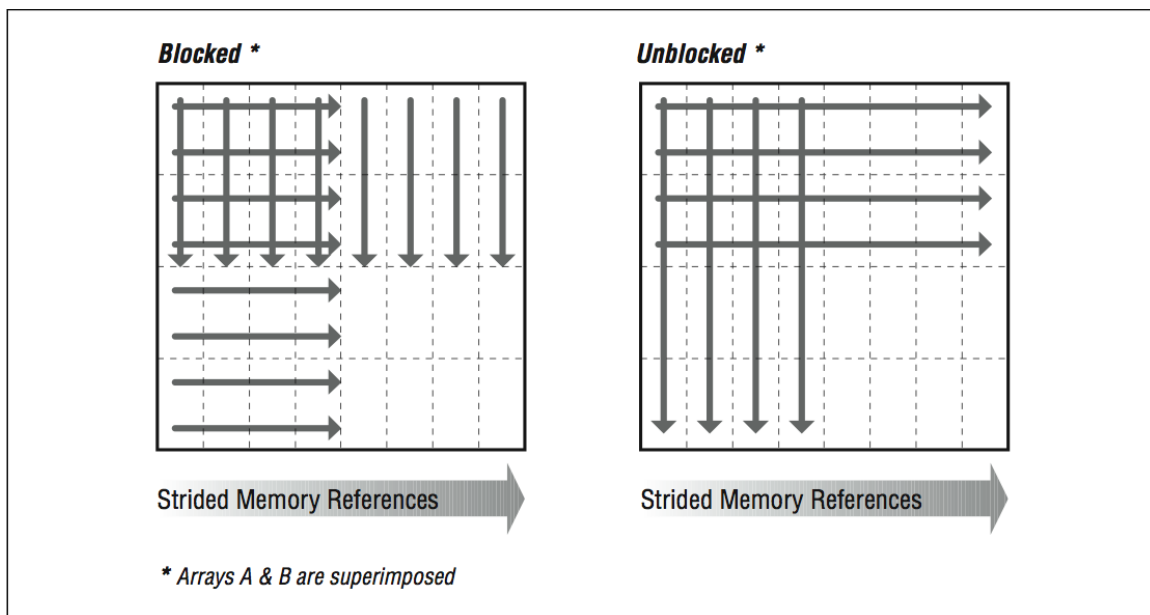


Figure 2.12

You can take blocking even further for larger problems. This code shows another method that limits the size of the inner loop and visits it repeatedly:

```

II = MOD (N,16)
JJ = MOD (N,4)

DO I=1,N
  DO J=1,JJ
    A(J,I) = A(J,I) + B(J,I)
  ENDDO
ENDDO

DO I=1,II
  DO J=JJ+1,N
    A(J,I) = A(J,I) + B(J,I)
    A(J,I) = A(J,I) + 1.0DO
  ENDDO
ENDDO

DO I=II+1,N,16
  DO J=JJ+1,N,4
    DO K=I,I+15
      A(J,K) = A(J,K) + B(K,J)
      A(J+1,K) = A(J+1,K) + B(K,J+1)
      A(J+2,K) = A(J+2,K) + B(K,J+2)
      A(J+3,K) = A(J+3,K) + B(K,J+3)
    ENDDO
  ENDDO
ENDDO

```

Where the inner I loop used to execute N iterations at a time, the new K loop executes only 16 iterations. This divides and conquers a large memory address space by cutting it into little pieces.

While these blocking techniques begin to have diminishing returns on single-processor systems, on large multiprocessor systems with nonuniform memory access (NUMA), there can be significant benefit in carefully arranging memory accesses to maximize reuse of both cache lines and main memory pages.

Again, the combined unrolling and blocking techniques we just showed you are for loops with *mixed stride* expressions. They work very well for loop nests like the one we have been looking at. However, if all array references are strided the same way, you will want to try loop unrolling or loop interchange first.

#### 2.4.10 Programs That Require More Memory Than You Have<sup>67</sup>

People occasionally have programs whose memory size requirements are so great that the data can't fit in memory all at once. At any time, some of the data has to reside outside of main memory on secondary (usually disk) storage. These out-of-core solutions fall into two categories:

- Software-managed, out-of-core solutions
- Virtual memory-managed, out-of-core solutions

With a software-managed approach, the programmer has recognized that the problem is too big and has modified the source code to move sections of the data out to disk for retrieval at a later time. The other method depends on the computer's memory system handling the secondary storage requirements on its own, some- times at a great cost in runtime.

<sup>67</sup>This content is available online at <<http://cnx.org/content/m33770/1.3/>>.

### 2.4.10.1 Software-Managed, Out-of-Core Solutions

Most codes with software-managed, out-of-core solutions have adjustments; you can tell the program how much memory it has to work with, and it takes care of the rest. It is important to make sure the adjustment is set correctly. Code that was tuned for a machine with limited memory could have been ported to another without taking into account the storage available. Perhaps the whole problem will fit easily.

If we are writing an out-of-core solution, the trick is to group memory references together so that they are localized. This usually occurs naturally as a side effect of partitioning, say, a matrix factorization into groups of columns. Blocking references the way we did in the previous section also corrals memory references together so you can treat them as memory “pages.” Knowing when to ship them off to disk entails being closely involved with what the program is doing.

### 2.4.11 Closing Notes<sup>68</sup>

Loops are the heart of nearly all high performance programs. The first goal with loops is to express them as simply and clearly as possible (i.e., eliminates the clutter). Then, use the profiling and timing tools to figure out which routines and loops are taking the time. Once you find the loops that are using the most time, try to determine if the performance of the loops can be improved.

First try simple modifications to the loops that don’t reduce the clarity of the code. You can also experiment with compiler options that control loop optimizations. Once you’ve exhausted the options of keeping the code looking clean, and if you still need more performance, resort to hand-modifying to the code. Typically the loops that need a little hand-coaxing are loops that are making bad use of the memory architecture on a cache-based system. Hopefully the loops you end up changing are only a few of the overall loops in the program.

However, before going too far optimizing on a single processor machine, take a look at how the program executes on a parallel system. Sometimes the modifications that improve performance on a single-processor system confuses the parallel-processor compiler. The compilers on parallel and vector systems generally have more powerful optimization capabilities, as they must identify areas of your code that will execute well on their specialized hardware. These compilers have been interchanging and unrolling loops automatically for some time now.

### 2.4.12 Exercises<sup>69</sup>

#### Exercise 2.4.12.1

Why is an unrolling amount of three or four iterations generally sufficient for simple vector loops on a RISC processor? What relationship does the unrolling amount have to floating-point pipeline depths?

#### Exercise 2.4.12.2

On a processor that can execute one floating-point multiply, one floating-point addition/subtraction, and one memory reference per cycle, what’s the best performance you could expect from the following loop?

```
DO I = 1,10000
  A(I) = B(I) * C(I) - D(I) * E(I)
ENDDO
```

<sup>68</sup>This content is available online at <<http://cnx.org/content/m33773/1.3/>>.

<sup>69</sup>This content is available online at <<http://cnx.org/content/m33777/1.3/>>.

**Exercise 2.4.12.3**

Try unrolling, interchanging, or blocking the loop in subroutine **BAZFAZ** to increase the performance. What method or combination of methods works best? Look at the assembly language created by the compiler to see what its approach is at the highest level of optimization.

NOTE: Compile the main routine and **BAZFAZ** separately; adjust **NTIMES** so that the untuned run takes about one minute; and use the compiler's default optimization level.

```

PROGRAM MAIN
IMPLICIT NONE
INTEGER M,N,I,J
PARAMETER (N = 512, M = 640, NTIMES = 500)
DOUBLE PRECISION Q(N,M), R(M,N)
C
DO I=1,M
  DO J=1,N
    Q(J,I) = 1.0DO
    R(I,J) = 1.0DO
  ENDDO
ENDDO
C
DO I=1,NTIMES
  CALL BAZFAZ (Q,R,N,M)
ENDDO
END

SUBROUTINE BAZFAZ (Q,R,N,M)
IMPLICIT NONE
INTEGER M,N,I,J
DOUBLE PRECISION Q(N,M), R(N,M)
C
DO I=1,N
  DO J=1,M
    R(I,J) = Q(I,J) * R(J,I)
  ENDDO
ENDDO
C
END

```

**Exercise 2.4.12.4**

Code the matrix multiplication algorithm in the “straightforward” manner and compile it with various optimization levels. See if the compiler performs any type of loop interchange.

Try the same experiment with the following code:

```
DO I=1,N
```

```
DO J=1,N
  A(I,J) = A(I,J) + 1.3
ENDDO
ENDDO
```

Do you see a difference in the compiler's ability to optimize these two loops? If you see a difference, explain it.

**Exercise 2.4.12.5**

Code the matrix multiplication algorithm both the ways shown in this chapter. Execute the program for a range of values for N. Graph the execution time divided by  $N^3$  for values of N ranging from  $50 \times 50$  to  $500 \times 500$ . Explain the performance you see.



# Chapter 3

## Shared-Memory Parallel Processors

### 3.1 Understanding Parallelism

#### 3.1.1 Introduction<sup>1</sup>

In a sense, we have been talking about parallelism from the beginning of the book. Instead of calling it “parallelism,” we have been using words like “pipelined,” “superscalar,” and “compiler flexibility.” As we move into programming on multiprocessors, we must increase our understanding of parallelism in order to understand how to effectively program these systems. In short, as we gain more parallel resources, we need to find more parallelism in our code.

When we talk of parallelism, we need to understand the concept of granularity. The granularity of parallelism indicates the size of the computations that are being performed at the same time between synchronizations. Some examples of parallelism in order of increasing grain size are:

- When performing a 32-bit integer addition, using a carry lookahead adder, you can partially add bits 0 and 1 at the same time as bits 2 and 3.
- On a pipelined processor, while decoding one instruction, you can fetch the next instruction.
- On a two-way superscalar processor, you can execute any combination of an integer and a floating-point instruction in a single cycle.
- On a multiprocessor, you can divide the iterations of a loop among the four processors of the system.
- You can split a large array across four workstations attached to a network. Each workstation can operate on its local information and then exchange boundary values at the end of each time step.

In this chapter, we start at *instruction-level parallelism* (pipelined and superscalar) and move toward *thread-level parallelism*, which is what we need for multiprocessor systems. It is important to note that the different levels of parallelism are generally not in conflict. Increasing thread parallelism at a coarser grain size often exposes more fine-grained parallelism.

The following is a loop that has plenty of parallelism:

```
DO I=1,16000
  A(I) = B(I) * 3.14159
ENDDO
```

---

<sup>1</sup>This content is available online at <<http://cnx.org/content/m32775/1.3/>>.

We have expressed the loop in a way that would imply that  $A(1)$  must be computed first, followed by  $A(2)$ , and so on. However, once the loop was completed, it would not have mattered if  $A(16000)$ , were computed first followed by  $A(15999)$ , and so on. The loop could have computed the even values of  $I$  and then computed the odd values of  $I$ . It would not even make a difference if all 16,000 of the iterations were computed simultaneously using a 16,000-way superscalar processor.<sup>2</sup> If the compiler has flexibility in the order in which it can execute the instructions that make up your program, it can execute those instructions simultaneously when parallel hardware is available.

One technique that computer scientists use to formally analyze the potential parallelism in an algorithm is to characterize how quickly it would execute with an “infinite-way” superscalar processor.

Not all loops contain as much parallelism as this simple loop. We need to identify the things that limit the parallelism in our codes and remove them whenever possible. In previous chapters we have already looked at removing clutter and rewriting loops to simplify the body of the loop.

This chapter also supplements Section 2.1.1, in many ways. We looked at the mechanics of compiling code, all of which apply here, but we didn’t answer all of the “whys.” Basic block analysis techniques form the basis for the work the compiler does when looking for more parallelism. Looking at two pieces of data, instructions, or data and instructions, a modern compiler asks the question, “Do these things depend on each other?” The three possible answers are yes, no, and we don’t know. The third answer is effectively the same as a yes, because a compiler has to be conservative whenever it is unsure whether it is safe to tweak the ordering of instructions.

Helping the compiler recognize parallelism is one of the basic approaches specialists take in tuning code. A slight rewording of a loop or some supplementary information supplied to the compiler can change a “we don’t know” answer into an opportunity for parallelism. To be certain, there are other facets to tuning as well, such as optimizing memory access patterns so that they best suit the hardware, or recasting an algorithm. And there is no single best approach to every problem; any tuning effort has to be a combination of techniques.

### 3.1.2 Dependencies<sup>3</sup>

Imagine a symphony orchestra where each musician plays without regard to the conductor or the other musicians. At the first tap of the conductor’s baton, each musician goes through all of his or her sheet music. Some finish far ahead of others, leave the stage, and go home. The cacophony wouldn’t resemble music (come to think of it, it would resemble experimental jazz) because it would be totally uncoordinated. Of course this isn’t how music is played. A computer program, like a musical piece, is woven on a fabric that unfolds in time (though perhaps woven more loosely). Certain things must happen before or along with others, and there is a rate to the whole process.

With computer programs, whenever event  $A$  must occur before event  $B$  can, we say that  $B$  is *dependent* on  $A$ . We call the relationship between them a dependency. Sometimes dependencies exist because of calculations or memory operations; we call these *data dependencies*. Other times, we are waiting for a branch or do-loop exit to take place; this is called a *control dependency*. Each is present in every program to varying degrees. The goal is to eliminate as many dependencies as possible. Rearranging a program so that two chunks of the computation are less dependent exposes *parallelism*, or opportunities to do several things at once.

#### 3.1.2.1 Control Dependencies

Just as variable assignments can depend on other assignments, a variable’s value can also depend on the *flow of control* within the program. For instance, an assignment within an if-statement can occur only if the conditional evaluates to true. The same can be said of an assignment within a loop. If the loop is never entered, no statements inside the loop are executed.

---

<sup>2</sup>Interestingly, this is not as far-fetched as it might seem. On a single instruction multiple data (SIMD) computer such as the Connection CM-2 with 16,384 processors, it would take three instruction cycles to process this entire loop.

<sup>3</sup>This content is available online at <<http://cnx.org/content/m32777/1.3/>>.

When calculations occur as a consequence of the flow of control, we say there is a *control dependency*, as in the code below and shown graphically in Figure 3.1 (Control dependency). The assignment located inside the block-if may or may not be executed, depending on the outcome of the test `X .NE. 0`. In other words, the value of `Y` depends on the flow of control in the code around it. Again, this may sound to you like a concern for compiler designers, not programmers, and that's mostly true. But there are times when you might want to move control-dependent instructions around to get expensive calculations out of the way (provided your compiler isn't smart enough to do it for you). For example, say that Figure 3.2 (A little section of your program) represents a little section of your program. Flow of control enters at the top and goes through two branch decisions. Furthermore, say that there is a square root operation at the entry point, and that the flow of control almost always goes from the top, down to the leg containing the statement `A=0.0`. This means that the results of the calculation `A=SQRT(B)` are almost always discarded because `A` gets a new value of `0.0` each time through. A square root operation is always "expensive" because it takes a lot of time to execute. The trouble is that you can't just get rid of it; occasionally it's needed. However, you could move it out of the way and continue to observe the control dependencies by making two copies of the square root operation along the less traveled branches, as shown in Figure 3.3 (Expensive operation moved so that it's rarely executed). This way the `SQRT` would execute only along those paths where it was actually needed.

---

### Control dependency

---

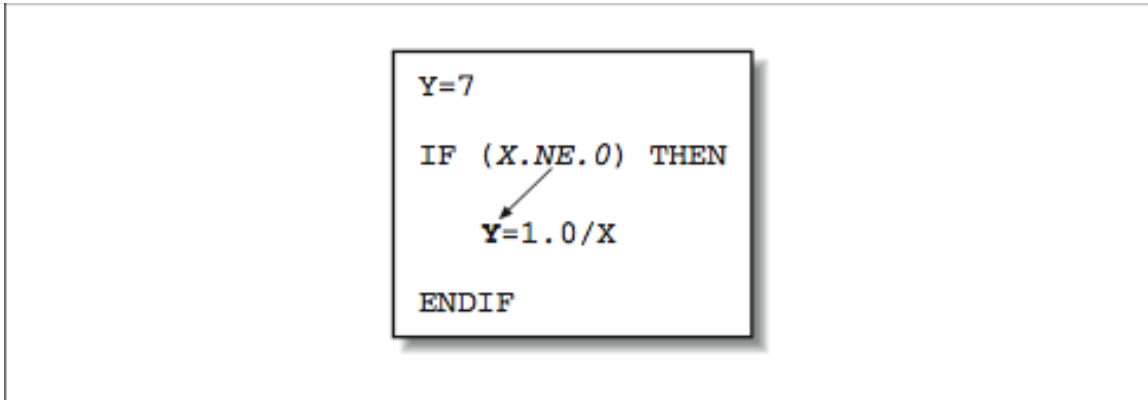


Figure 3.1

---

---

A little section of your program

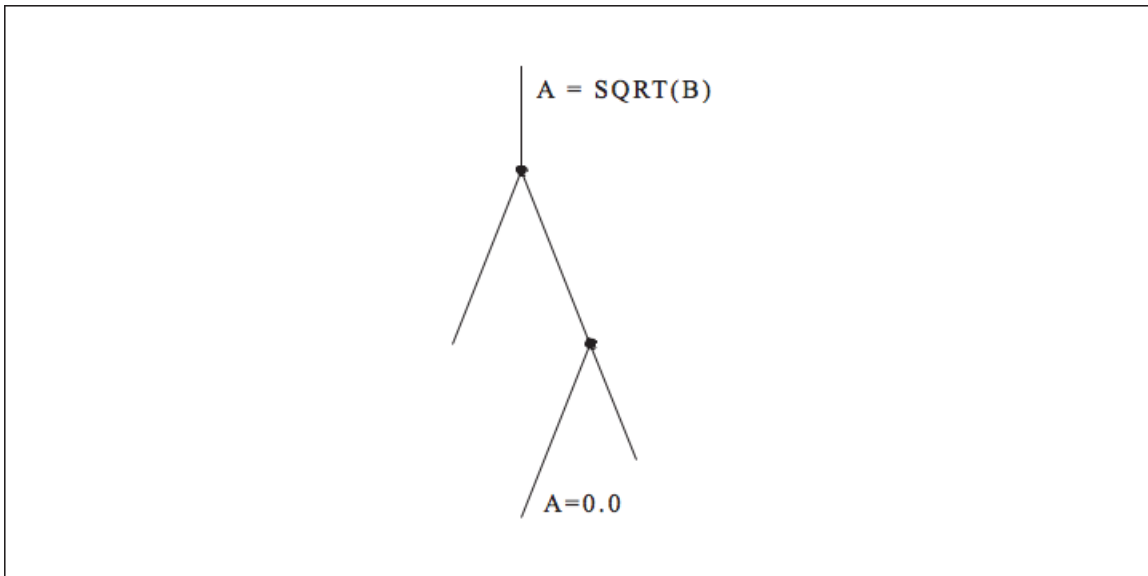


Figure 3.2

---

This kind of instruction scheduling will be appearing in compilers (and even hardware) more and more as time goes on. A variation on this technique is to calculate results that might be needed at times when there is a gap in the instruction stream (because of dependencies), thus using some spare cycles that might otherwise be wasted.

### Expensive operation moved so that it's rarely executed

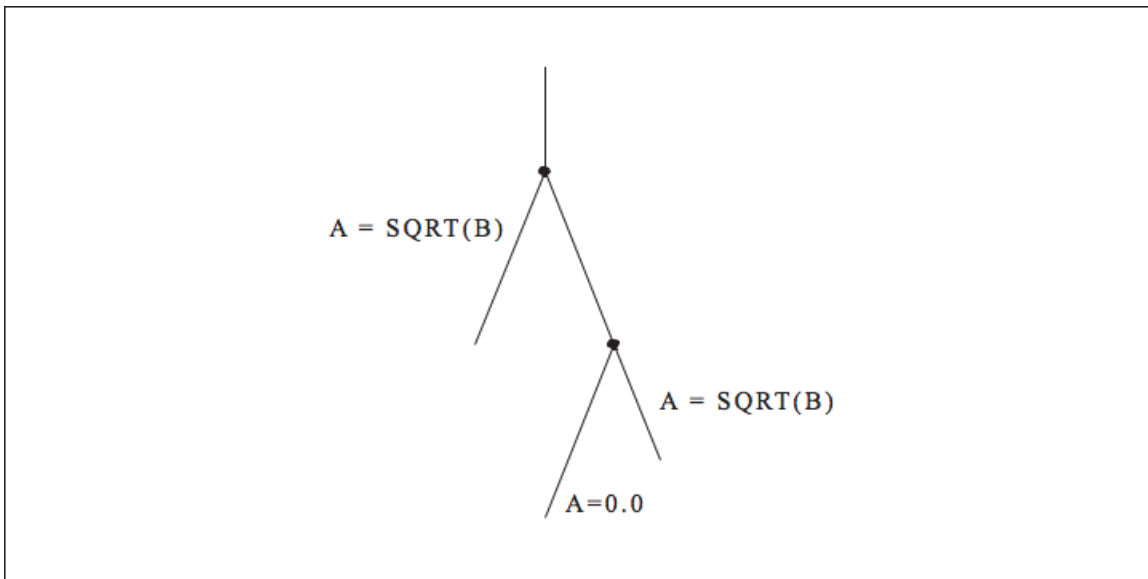


Figure 3.3

#### 3.1.2.2 Data Dependencies

A calculation that is in some way bound to a previous calculation is said to be data dependent upon that calculation. In the code below, the value of `B` is data dependent on the value of `A`. That's because you can't calculate `B` until the value of `A` is available:

```
A = X + Y + COS(Z)
B = A * C
```

This dependency is easy to recognize, but others are not so simple. At other times, you must be careful not to rewrite a variable with a new value before every other computation has finished using the old value. We can group all data dependencies into three categories: (1) flow dependencies, (2) antidependencies, and (3) output dependencies. Figure 3.4 (Types of data dependencies) contains some simple examples to demonstrate each type of dependency. In each example, we use an arrow that starts at the source of the dependency and ends at the statement that must be delayed by the dependency. The key problem in each of these dependencies is that the second statement can't execute until the first has completed. Obviously in the particular output dependency example, the first computation is dead code and can be eliminated unless there is some intervening code that needs the values. There are other techniques to eliminate either output or antidependencies. The following example contains a flow dependency followed by an output dependency.

## Types of data dependencies

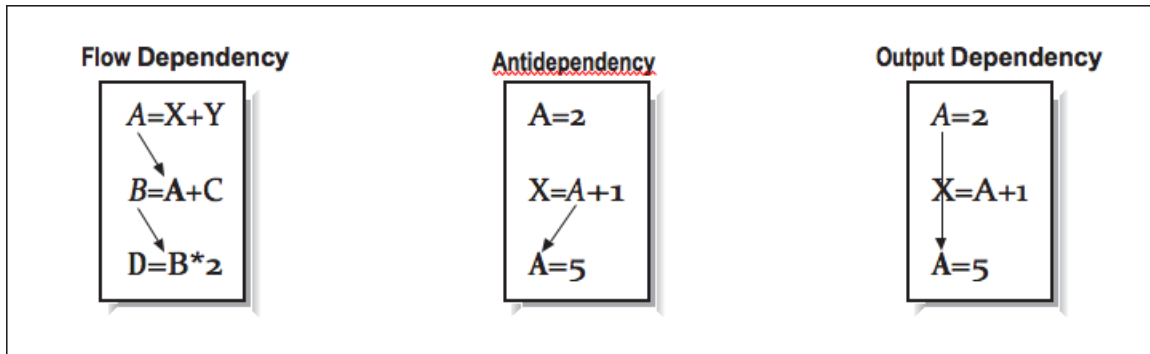


Figure 3.4

```

X = A / B
Y = X + 2.0
X = D - E

```

While we can't eliminate the flow dependency, the output dependency can be eliminated by using a scratch variable:

```

Xtemp = A/B
Y = Xtemp + 2.0
X = D - E

```

As the number of statements and the interactions between those statements increase, we need a better way to identify and process these dependencies. Figure 3.5 (Multiple dependencies) shows four statements with four dependencies.

### Multiple dependencies

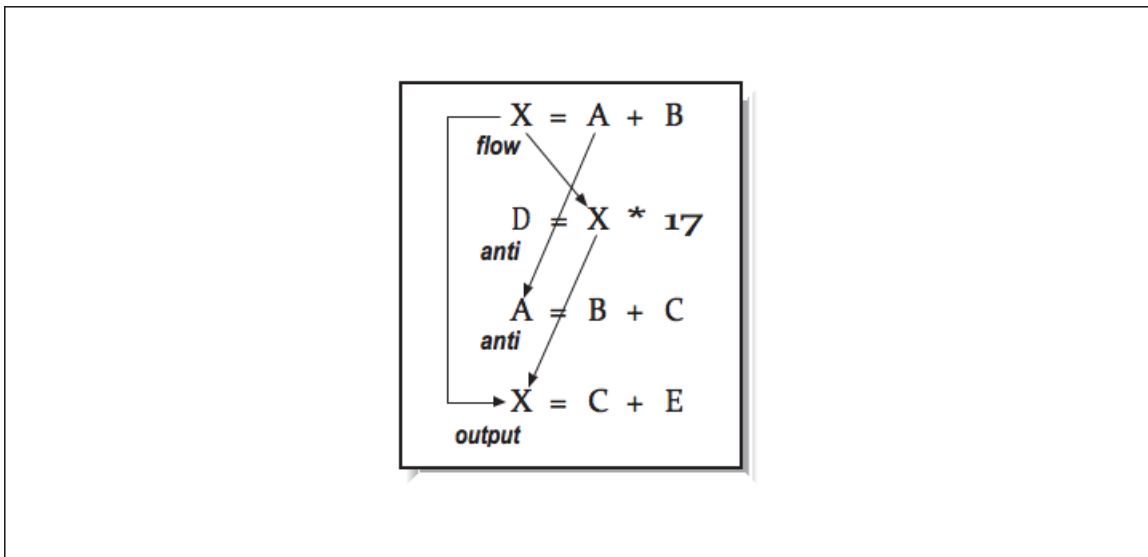


Figure 3.5

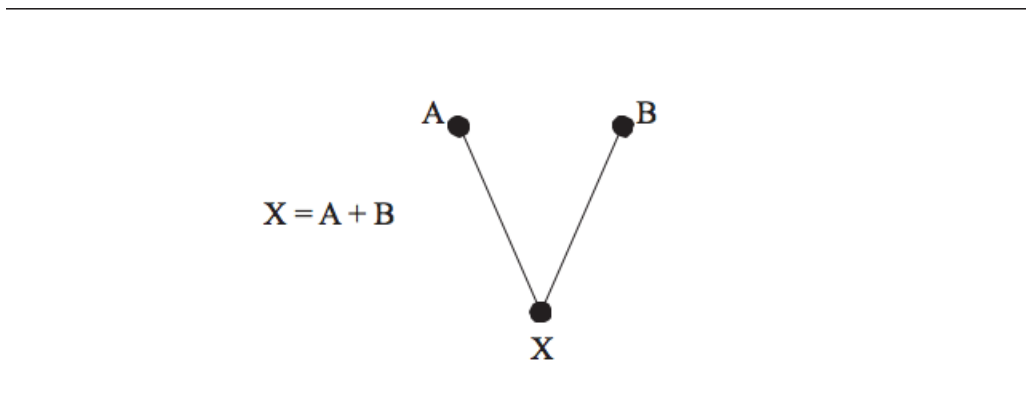
None of the second through fourth instructions can be started before the first instruction completes.

#### 3.1.2.3 Forming a DAG

One method for analyzing a sequence of instructions is to organize it into a *directed acyclic graph* (DAG).<sup>4</sup> Like the instructions it represents, a DAG describes all of the calculations and relationships between variables. The data flow within a DAG proceeds in one direction; most often a DAG is constructed from top to bottom. Identifiers and constants are placed at the “leaf” nodes — the ones on the top. Operations, possibly with variable names attached, make up the internal nodes. Variables appear in their final states at the bottom. The DAG’s edges order the relationships between the variables and operations within it. All data flow proceeds from top to bottom.

To construct a DAG, the compiler takes each intermediate language tuple and maps it onto one or more nodes. For instance, those tuples that represent binary operations, such as addition ( $X=A+B$ ), form a portion of the DAG with two inputs (A and B) bound together by an operation (+). The result of the operation may feed into yet other operations within the basic block (and the DAG) as shown in Figure 3.6 (A trivial data flow graph).

<sup>4</sup>A graph is a collection of nodes connected by edges. By directed, we mean that the edges can only be traversed in specified directions. The word acyclic means that there are no cycles in the graph; that is, you can’t loop anywhere within it.

**A trivial data flow graph****Figure 3.6**

For a basic block of code, we build our DAG in the order of the instructions. The DAG for the previous four instructions is shown in Figure 3.7 (A more complex data flow graph). This particular example has many dependencies, so there is not much opportunity for parallelism. Figure 3.8 (Extracting parallelism from a DAG) shows a more straightforward example shows how constructing a DAG can identify parallelism.

From this DAG, we can determine that instructions 1 and 2 can be executed in parallel. Because we see the computations that operate on the values A and B while processing instruction 4, we can eliminate a common subexpression during the construction of the DAG. If we can determine that Z is the only variable that is used outside this small block of code, we can assume the Y computation is dead code.



### A more complex data flow graph

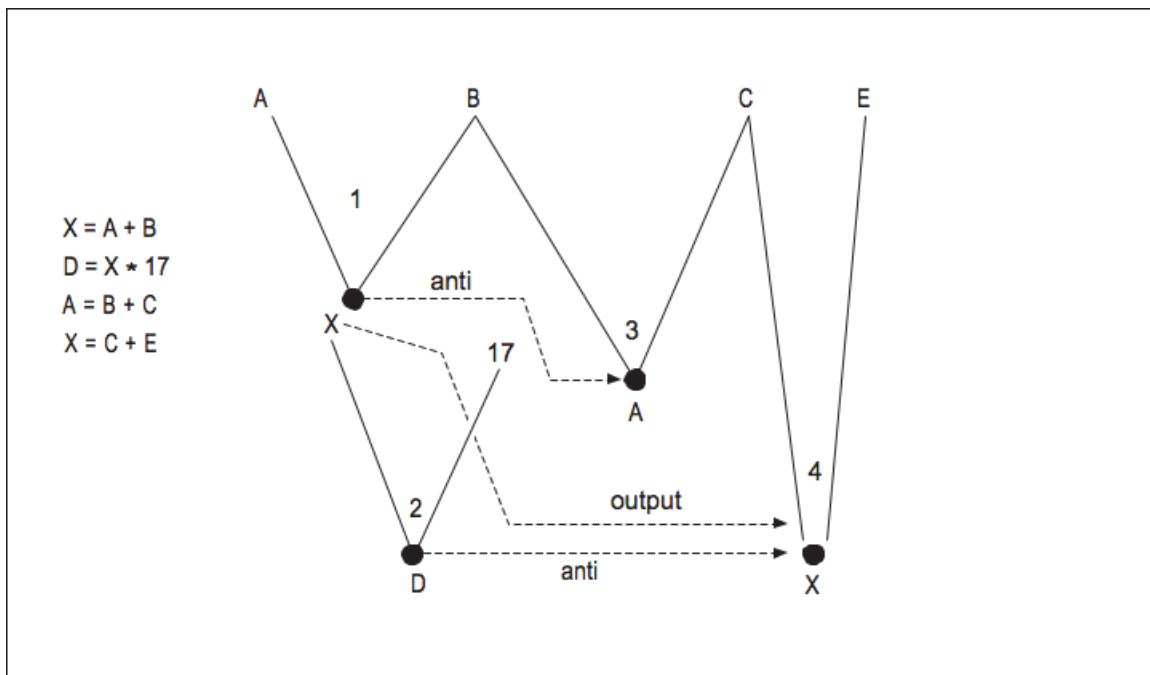


Figure 3.7

By constructing the DAG, we take a sequence of instructions and determine which must be executed in a particular order and which can be executed in parallel. This type of data flow analysis is very important in the codegeneration phase on super-scalar processors. We have introduced the concept of dependencies and how to use data flow to find opportunities for parallelism in code sequences within a basic block. We can also use data flow analysis to identify dependencies, opportunities for parallelism, and dead code between basic blocks.

#### 3.1.2.4 Uses and Definitions

As the DAG is constructed, the compiler can make lists of variable uses and *definitions*, as well as other information, and apply these to global optimizations across many basic blocks taken together. Looking at the DAG in Figure 3.8 (Extracting parallelism from a DAG), we can see that the variables defined are Z, Y, X, C, and D, and the variables used are A and B. Considering many basic blocks at once, we can say how far a particular variable definition reaches — where its value can be seen. From this we can recognize situations where calculations are being discarded, where two uses of a given variable are completely independent, or where we can overwrite register-resident values without saving them back to memory. We call this investigation *data flow analysis*.

## Extracting parallelism from a DAG

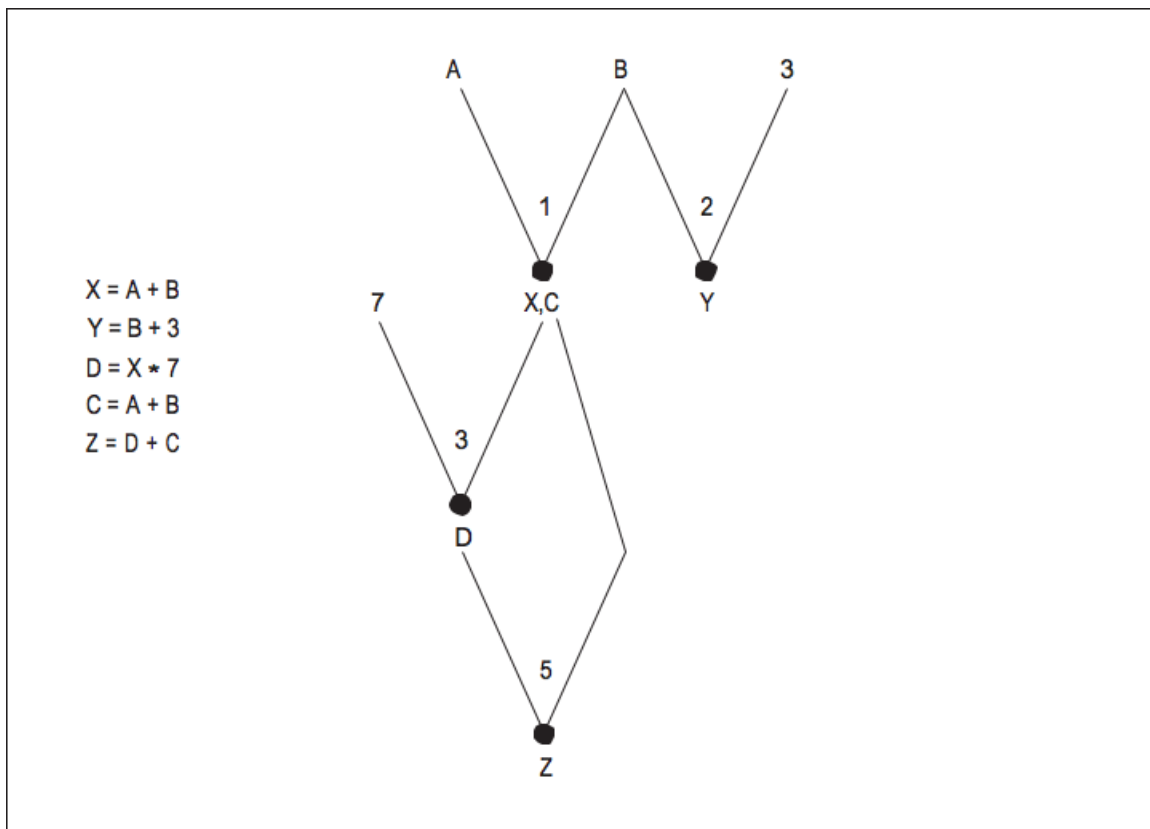


Figure 3.8

To illustrate, suppose that we have the flow graph in Figure 3.9 (Flow graph for data flow analysis). Beside each basic block we've listed the variables it uses and the variables it defines. What can data flow analysis tell us?

Notice that a value for  $A$  is defined in block  $X$  but only used in block  $Y$ . That means that  $A$  is dead upon exit from block  $Y$  or immediately upon taking the right-hand branch leaving  $X$ ; none of the other basic blocks uses the value of  $A$ . That tells us that any associated resources, such as a register, can be freed for other uses.

Looking at Figure 3.9 (Flow graph for data flow analysis) we can see that  $D$  is defined in basic block  $X$ , but never used. This means that the calculations defining  $D$  can be discarded.

Something interesting is happening with the variable  $G$ . Blocks  $X$  and  $W$  both use it, but if you look closely you'll see that the two uses are distinct from one another, meaning that they can be treated as two independent variables.

A compiler featuring advanced instruction scheduling techniques might notice that  $W$  is the only block that uses the value for  $E$ , and so move the calculations defining  $E$  out of block  $Y$  and into  $W$ , where they are needed.

Flow graph for data flow analysis

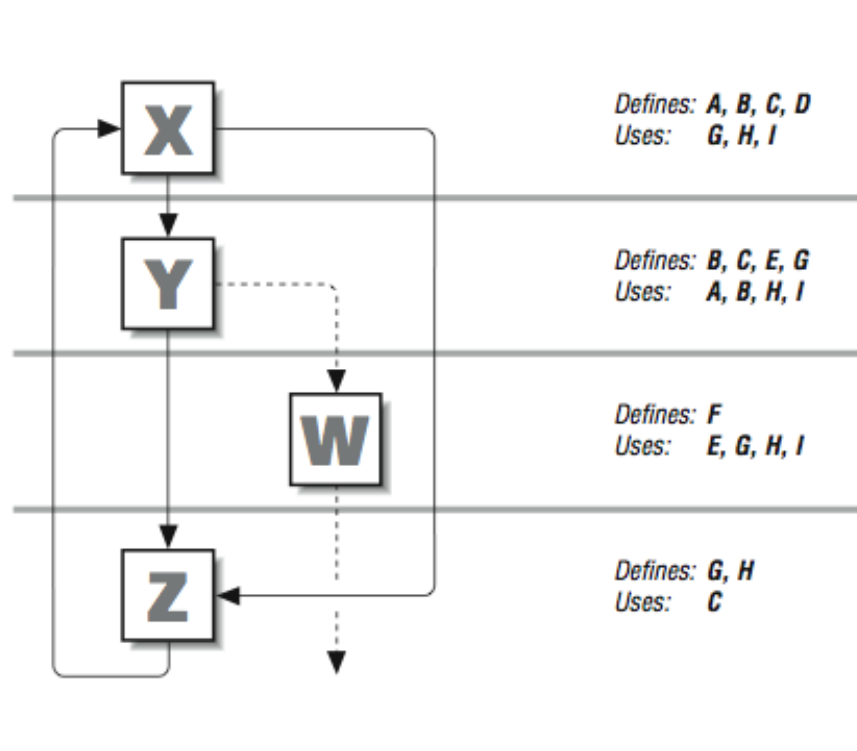


Figure 3.9

In addition to gathering data about variables, the compiler can also keep information about subexpressions. Examining both together, it can recognize cases where redundant calculations are being made (across basic blocks), and substitute previously computed values in their place. If, for instance, the expression  $H \cdot I$  appears in blocks X, Y, and W, it could be calculated just once in block X and propagated to the others that use it.

### 3.1.3 Loops<sup>5</sup>

Loops are the center of activity for many applications, so there is often a high payback for simplifying or moving calculations outside, into the computational suburbs. Early compilers for parallel architectures used pattern matching to identify the bounds of their loops. This limitation meant that a hand-constructed loop using if-statements and goto-statements would not be correctly identified as a loop. Because modern compilers use data flow graphs, it's practical to identify loops as a particular subset of nodes in the flow graph. To a data flow graph, a hand constructed loop looks the same as a compiler-generated loop. Optimizations can therefore be applied to either type of loop.

Once we have identified the loops, we can apply the same kinds of data-flow analysis we applied above. Among the things we are looking for are calculations that are unchanging within the loop and variables that change in a predictable (linear) fashion from iteration to iteration.

<sup>5</sup>This content is available online at <<http://cnx.org/content/m32784/1.3/>>.

How does the compiler identify a loop in the flow graph? Fundamentally, two conditions have to be met:

- A given node has to dominate all other nodes within the suspected loop. This means that all paths to any node in the loop have to pass through one particular node, the dominator. The dominator node forms the header at the top of the loop.
- There has to be a cycle in the graph. Given a dominator, if we can find a path back to it from one of the nodes it dominates, we have a loop. This path back is known as the *back edge* of the loop.

The flow graph in Figure 3.10 (Flowgraph with a loop in it) contains one loop and one red herring. You can see that node B dominates every node below it in the subset of the flow graph. That satisfies Condition 1 (list, p. 134) and makes it a candidate for a loop header. There is a path from E to B, and B dominates E, so that makes it a back edge, satisfying Condition 2 (list, p. 134). Therefore, the nodes B, C, D, and E form a loop. The loop goes through an array of linked list start pointers and traverses the lists to determine the total number of nodes in all lists. Letters to the extreme right correspond to the basic block numbers in the flow graph.

Flowgraph with a loop in it

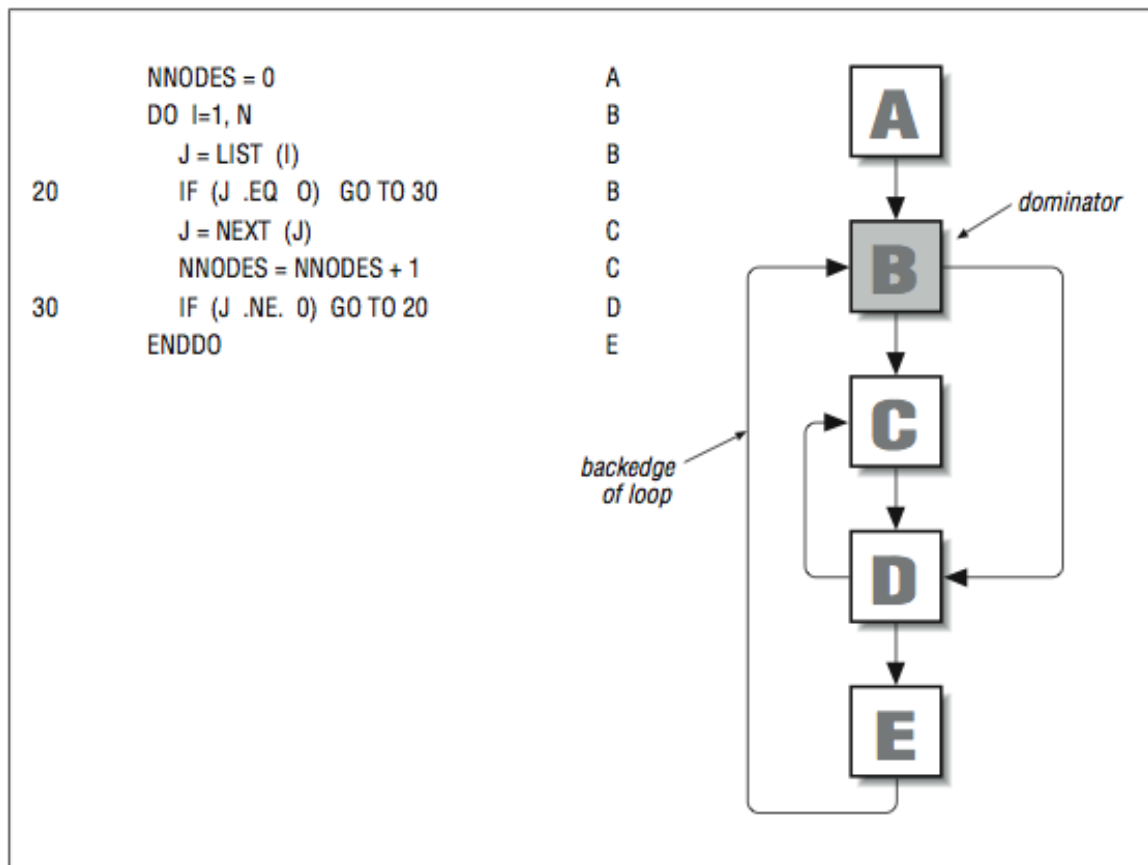


Figure 3.10

At first glance, it appears that the nodes C and D form a loop too. The problem is that C doesn't dominate D (and vice versa), because entry to either can be made from B, so condition 1 (list, p. 134) isn't satisfied.

Generally, the flow graphs that come from code segments written with even the weakest appreciation for a structured design offer better loop candidates.

After identifying a loop, the compiler can concentrate on that portion of the flow graph, looking for instructions to remove or push to the outside. Certain types of subexpressions, such as those found in array index expressions, can be simplified if they change in a predictable fashion from one iteration to the next.

In the continuing quest for parallelism, loops are generally our best sources for large amounts of parallelism. However, loops also provide new opportunities for those parallelism-killing dependencies.

### 3.1.4 Loop-Carried Dependencies <sup>6</sup>

The notion of data dependence is particularly important when we look at loops, the hub of activity inside numerical applications. A well-designed loop can produce millions of operations that can all be performed in parallel. However, a single misplaced dependency in the loop can force it all to be run in serial. So the stakes are higher when looking for dependencies in loops.

Some constructs are completely independent, right out of the box. The question we want to ask is “Can two different iterations execute at the same time, or is there a data dependency between them?” Consider the following loop:

```
DO I=1,N
  A(I) = A(I) + B(I)
ENDDO
```

For any two values of I and K, can we calculate the value of A(I) and A(K) at the same time? Below, we have manually unrolled several iterations of the previous loop, so they can be executed together:

```
A(I) = A(I) + B(I)
A(I+1) = A(I+1) + B(I+1)
A(I+2) = A(I+2) + B(I+2)
```

You can see that none of the results are used as an operand for another calculation. For instance, the calculation for A(I+1) can occur at the same time as the calculation for A(I) because the calculations are independent; you don’t need the results of the first to determine the second. In fact, mixing up the order of the calculations won’t change the results in the least. Relaxing the serial order imposed on these calculations makes it possible to execute this loop very quickly on parallel hardware.

#### 3.1.4.1 Flow Dependencies

For comparison, look at the next code fragment:

```
DO I=2,N
  A(I) = A(I-1) + B(I)
ENDDO
```

---

<sup>6</sup>This content is available online at <<http://cnx.org/content/m32782/1.3/>>.

This loop has the regularity of the previous example, but one of the subscripts is changed. Again, it's useful to manually unroll the loop and look at several iterations together:

$$\begin{aligned} A(I) &= A(I-1) + B(I) \\ A(I+1) &= A(I) + B(I+1) \\ A(I+2) &= A(I+1) + B(I+2) \end{aligned}$$

In this case, there is a dependency problem. The value of  $A(I+1)$  depends on the value of  $A(I)$ , the value of  $A(I+2)$  depends on  $A(I+1)$ , and so on; every iteration depends on the result of a previous one. Dependencies that extend back to a previous calculation and perhaps a previous iteration (like this one), are loop carried *flow dependencies* or *backward dependencies*. You often see such dependencies in applications that perform Gaussian elimination on certain types of matrices, or numerical solutions to systems of differential equations. However, it is impossible to run such a loop in parallel (as written); the processor must wait for intermediate results before it can proceed.

In some cases, flow dependencies are impossible to fix; calculations are so dependent upon one another that we have no choice but to wait for previous ones to complete. Other times, dependencies are a function of the way the calculations are expressed. For instance, the loop above can be changed to reduce the dependency. By replicating some of the arithmetic, we can make it so that the second and third iterations depend on the first, but not on one another. The operation count goes up — we have an extra addition that we didn't have before — but we have reduced the dependency between iterations:

```
DO I=2,N,2
  A(I)   = A(I-1) + B(I)
  A(I+1) = A(I-1) + B(I) + B(I+1)
ENDDO
```

The speed increase on a workstation won't be great (most machines run the recast loop more slowly). However, some parallel computers can trade off additional calculations for reduced dependency and chalk up a net win.

### 3.1.4.2 Antidependencies

It's a different story when there is a loop-carried antidependency, as in the code below:

```
DO I=1,N
  A(I) = B(I) * E
  B(I) = A(I+2) * C
ENDDO
```

In this loop, there is an antidependency between the variable  $A(I)$  and the variable  $A(I+2)$ . That is, you must be sure that the instruction that uses  $A(I+2)$  does so before the previous one redefines it. Clearly, this is not a problem if the loop is executed serially, but remember, we are looking for opportunities to overlap

instructions. Again, it helps to pull the loop apart and look at several iterations together. We have recast the loop by making many copies of the first statement, followed by copies of the second:

```

A(I)   = B(I)   * E
A(I+1) = B(I+1) * E
A(I+2) = B(I+2) * E
...
B(I)   = A(I+2) * C ← assignment makes use of the new
B(I+1) = A(I+3) * C   value of A(I+2) incorrect.
B(I+2) = A(I+4) * C

```

The reference to  $A(I+2)$  needs to access an “old” value, rather than one of the new ones being calculated. If you perform all of the first statement followed by all of the second statement, the answers will be wrong. If you perform all of the second statement followed by all of the first statement, the answers will also be wrong. In a sense, to run the iterations in parallel, you must either save the  $A$  values to use for the second statement or store all of the  $B$  value in a temporary area until the loop completes.

We can also directly unroll the loop and find *some* parallelism:

```

1  A(I)   = B(I)   * E
2  B(I)   = A(I+2) * C →
3  A(I+1) = B(I+1) * E | Output dependency
4  B(I+1) = A(I+3) * C |
5  A(I+2) = B(I+2) * E ←
6  B(I+2) = A(I+4) * C

```

Statements 1–4 could all be executed simultaneously. Once those statements completed execution, statements 5–8 could execute in parallel. Using this approach, there are sufficient intervening statements between the dependent statements that we can see some parallel performance improvement from a superscalar RISC processor.

### 3.1.4.3 Output Dependencies

The third class of data dependencies, *output dependencies*, is of particular interest to users of parallel computers, particularly multiprocessors. Output dependencies involve getting the right values to the right variables when all calculations have been completed. Otherwise, an output dependency is violated. The loop below assigns new values to two elements of the vector  $A$  with each iteration:

```

DO I=1,N
  A(I)   = C(I) * 2.
  A(I+2) = D(I) + E
ENDDO

```

As always, we won't have any problems if we execute the code sequentially. But if several iterations are performed together, and statements are reordered, then incorrect values can be assigned to the last elements of  $A$ . For example, in the naive vectorized equivalent below,  $A(I+2)$  takes the wrong value because the assignments occur out of order:

```

A(I)   = C(I)   * 2.
A(I+1) = C(I+1) * 2.
A(I+2) = C(I+2) * 2.
A(I+2) = D(I)   + E ← Output dependency violated
A(I+3) = D(I+1) + E
A(I+4) = D(I+2) + E

```

Whether or not you have to worry about output dependencies depends on whether you are actually parallelizing the code. Your compiler will be conscious of the danger, and will be able to generate legal code — and possibly even fast code, if it's clever enough. But output dependencies occasionally become a problem for programmers.

#### 3.1.4.4 Dependencies Within an Iteration

We have looked at dependencies that cross iteration boundaries but we haven't looked at dependencies within the same iteration. Consider the following code fragment:

```

DO I = 1,N
  D = B(I) * 17
  A(I) = D + 14
ENDDO

```

When we look at the loop, the variable  $D$  has a flow dependency. The second statement cannot start until the first statement has completed. At first glance this might appear to limit parallelism significantly. When we look closer and manually unroll several iterations of the loop, the situation gets worse:

```

D = B(I) * 17
A(I) = D + 14
D = B(I+1) * 17
A(I+1) = D + 14
D = B(I+2) * 17
A(I+2) = D + 14

```

Now, the variable  $D$  has flow, output, and antidependencies. It looks like this loop has no hope of running in parallel. However, there is a simple solution to this problem at the cost of some extra memory space, using a technique called *promoting a scalar to a vector*. We define  $D$  as an array with  $N$  elements and rewrite the code as follows:



```

DO I = 1,N
  D(I) = B(I) * 17
  A(I) = D(I) + 14
ENDDO

```

Now the iterations are all independent and can be run in parallel. Within each iteration, the first statement must run before the second statement.

### 3.1.4.5 Reductions

The sum of an array of numbers is one example of a *reduction* — so called because it reduces a vector to a scalar. The following loop to determine the total of the values in an array certainly looks as though it might be able to be run in parallel:

```

SUM = 0.0
DO I=1,N
  SUM = SUM + A(I)
ENDDO

```

However, if we perform our unrolling trick, it doesn't look very parallel:

```

SUM = SUM + A(I)
SUM = SUM + A(I+1)
SUM = SUM + A(I+2)

```

This loop also has all three types of dependencies and looks impossible to parallelize. If we are willing to accept the potential effect of rounding, we can add some parallelism to this loop as follows (again we did not add the preconditioning loop):

```

SUM0 = 0.0
SUM1 = 0.0
SUM2 = 0.0
SUM3 = 0.0
DO I=1,N,4
  SUM0 = SUM0 + A(I)
  SUM1 = SUM1 + A(I+1)
  SUM2 = SUM2 + A(I+2)
  SUM3 = SUM3 + A(I+3)
ENDDO

```

```
SUM = SUM0 + SUM1 + SUM2 + SUM3
```

Again, this is not precisely the same computation, but all four partial sums can be computed independently. The partial sums are combined at the end of the loop.

Loops that look for the maximum or minimum elements in an array, or multiply all the elements of an array, are also reductions. Likewise, some of these can be reorganized into partial results, as with the sum, to expose more computations. Note that the maximum and minimum are associative operators, so the results of the reorganized loop are identical to the sequential loop.

### 3.1.5 Ambiguous References<sup>7</sup>

Every dependency we have looked at so far has been clear cut; you could see exactly what you were dealing with by looking at the source code. But other times, describing a dependency isn't so easy. Recall this loop from the "Antidependencies" section Section 3.1.4.2 (Antidependencies) earlier in this chapter:

```
DO I=1,N
  A(I) = B(I) * E
  B(I) = A(I+2) * C
ENDDO
```

Because each variable reference is solely a function of the index, I, it's clear what kind of dependency we are dealing with. Furthermore, we can describe how far apart (in iterations) a variable reference is from its definition. This is called the *dependency distance*. A negative value represents a flow dependency; a positive value means there is an antidependency. A value of zero says that no dependency exists between the reference and the definition. In this loop, the dependency distance for A is +2 iterations.

However, array subscripts may be functions of other variables besides the loop index. It may be difficult to tell the distance between the use and definition of a particular element. It may even be impossible to tell whether the dependency is a flow dependency or an antidependency, or whether a dependency exists at all. Consequently, it may be impossible to determine if it's safe to overlap execution of different statements, as in the following loop:

```
DO I=1,N
  A(I) = B(I) * E
  B(I) = A(I+K) * C ← K unknown
ENDDO
```

If the loop made use of A(I+K), where the value of K was unknown, we wouldn't be able to tell (at least by looking at the code) anything about the kind of dependency we might be facing. If K is zero, we have a dependency within the iteration and no loop-carried dependencies. If K is positive we have an antidependency with distance K. Depending on the value for K, we might have enough parallelism for a superscalar processor. If K is negative, we have a loop-carried flow dependency, and we may have to execute the loop serially.

*Ambiguous references*, like A(I+K) above, have an effect on the parallelism we can detect in a loop. From the compiler perspective, it may be that this loop does contain two independent calculations that the author

<sup>7</sup>This content is available online at <<http://cnx.org/content/m32788/1.3/>>.

whimsically decided to throw into a single loop. But when they appear together, the compiler has to treat them conservatively, as if they were interrelated. This has a big effect on performance. If the compiler has to assume that consecutive memory references may ultimately access the same location, the instructions involved cannot be overlapped. One other option is for the compiler to generate two versions of the loop and check the value for K at runtime to determine which version of the loop to execute.

A similar situation occurs when we use integer index arrays in a loop. The loop below contains only a single statement, but you can't be sure that any iteration is independent without knowing the contents of the K and J arrays:

```
DO I=1,N
  A(K(I)) = A(K(I)) + B(J(I)) * C
ENDDO
```

For instance, what if all of the values for K(I) were the same? This causes the same element of the array A to be rereferenced with each iteration! That may seem ridiculous to you, but the compiler can't tell.

With code like this, it's common for every value of K(I) to be unique. This is called a *permutation*. If you can tell a compiler that it is dealing with a permutation, the penalty is lessened in some cases. Even so, there is insult being added to injury. Indirect references require more memory activity than direct references, and this slows you down.

### 3.1.5.1 Pointer Ambiguity in Numerical C Applications

FORTRAN compilers depend on programmers to observe aliasing rules. That is, programmers are not supposed to modify locations through pointers that may be aliases of one another. They can become aliases in several ways, such as when two dummy arguments receive pointers to the same storage locations:

```
CALL BOB (A,A)
...
END
SUBROUTINE BOB (X,Y) ← X,Y become aliases
```

C compilers don't enjoy the same restrictions on aliasing. In fact, there are cases where aliasing could be desirable. Additionally, C is blessed with pointer types, increasing the opportunities for aliasing to occur. This means that a C compiler has to approach operations through pointers more conservatively than a FORTRAN compiler would. Let's look at some examples to see why.

The following loop nest looks like a FORTRAN loop cast in C. The arrays are declared or allocated all at once at the top of the routine, and the starting address and leading dimensions are visible to the compiler. This is important because it means that the storage relationship between the array elements is well known. Hence, you could expect good performance:

```
#define N ...
double *a[N][N], c[N][N], d;
for (i=0; i<N; i++)
```

```

for (j=0; j<N; j++)
    a[i][j] = a[i][j] + c[j][i] * d;

```

Now imagine what happens if you allocate the rows dynamically. This makes the address calculations more complicated. The loop nest hasn't changed; however, there is no guaranteed stride that can get you from one row to the next. This is because the storage relationship between the rows is unknown:

```

#define N ...
double *a[N], *c[N], d;
for (i=0; i<N; i++) {
    a[i] = (double *) malloc (N*sizeof(double));
    c[i] = (double *) malloc (N*sizeof(double));
}
for (i=0; i<N; i++)
    for (j=0; j<N; j++)
        a[i][j] = a[i][j] + c[j][i] * d;

```

In fact, your compiler knows even less than you might expect about the storage relationship. For instance, how can it be sure that references to *a* and *c* aren't aliases? It may be obvious to you that they're not. You might point out that *malloc* never overlaps storage. But the compiler isn't free to assume that. Who knows? You may be substituting your own version of *malloc*!

Let's look at a different example, where storage is allocated all at once, though the declarations are not visible to all routines that are using it. The following subroutine *bob* performs the same computation as our previous example. However, because the compiler can't see the declarations for *a* and *c* (they're in the main routine), it doesn't have enough information to be able to overlap memory references from successive iterations; the references could be aliases:

```

#define N...
main()
{
    double a[N][N], c[N][N], d;
    ...
    bob (a,c,d,N);
}
bob (double *a,double *c,double d,int n)
{
    int i,j;
    double *ap, *cp;
    for (i=0;i<n;i++) {
        ap = a + (i*n);
        cp = c + i;
        for (j=0; j<n; j++)
            *(ap+j) = *(ap+j) + *(cp+(j*n)) * d;
    }
}

```

To get the best performance, make available to the compiler as many details about the size and shape of your data structures as possible. Pointers, whether in the form of formal arguments to a subroutine or explicitly declared, can hide important facts about how you are using memory. The more information the compiler has, the more it can overlap memory references. This information can come from compiler directives or from making declarations visible in the routines where performance is most critical.

### 3.1.6 Closing Notes<sup>8</sup>

You already knew there was a limit to the amount of parallelism in any given program. Now you know why. Clearly, if a program had no dependencies, you could execute the whole thing at once, given suitable hardware. But programs aren't infinitely parallel; they are often hardly parallel at all. This is because they contain dependencies of the types we saw above.

When we are writing and/or tuning our loops, we have a number of (sometimes conflicting) goals to keep in mind:

- Balance memory operations and computations.
- Minimize unnecessary operations.
- Access memory using unit stride if at all possible.
- Allow all of the loop iterations to be computed in parallel.

In the coming chapters, we will begin to learn more about executing our programs on parallel multiprocessors. At some point we will escape the bonds of compiler automatic optimization and begin to explicitly code the parallel portions of our code.

To learn more about compilers and dataflow, read *The Art of Compiler Design: Theory and Practice* by Thomas Pittman and James Peters (Prentice-Hall).

### 3.1.7 Exercises<sup>9</sup>

#### Exercise 3.1.7.1

Identify the dependencies (if there are any) in the following loops. Can you think of ways to organize each loop for more parallelism?

a.

```
DO I=1,N-2
  A(I+2) = A(I) + 1.
ENDDO
```

b.

```
DO I=1,N-1,2
  A(I+1) = A(I) + 1.
ENDDO
```

c.

---

<sup>8</sup>This content is available online at <http://cnx.org/content/m32789/1.3/>.

<sup>9</sup>This content is available online at <http://cnx.org/content/m32792/1.3/>.

```

DO I=2,N
  A(I) = A(I-1) * 2.
  B = A(I-1)
ENDDO

```

d.

```

DO I=1,N
  IF(N .GT. M)
    A(I) = 1.
ENDDO

```

e.

```

DO I=1,N
  A(I,J) = A(I,K) + B
ENDDO

```

f.

```

DO I=1,N-1
  A(I+1,J) = A(I,K) + B
ENDDO

```

g.

```

for (i=0; i<n; i++)
  a[i] = b[i];

```

**Exercise 3.1.7.2**

Imagine that you are a parallelizing compiler, trying to generate code for the loop below. Why are references to A a challenge? Why would it help to know that K is equal to zero? Explain how you could partially vectorize the statements involving A if you knew that K had an absolute value of at least 8.

```

DO I=1,N

```

```

E(I,M) = E(I-1,M+1) - 1.0
B(I) = A(I+K) * C
A(I) = D(I) * 2.0
ENDDO

```

### Exercise 3.1.7.3

The following three statements contain a flow dependency, an antidependency and an output dependency. Can you identify each? Given that you are allowed to reorder the statements, can you find a permutation that produces the same values for the variables C and B? Show how you can reduce the dependencies by combining or rearranging calculations and using temporary variables.

```

B = A + C
B = C + D
C = B + D

```

## 3.2 Shared-Memory Multiprocessors

### 3.2.1 Introduction<sup>10</sup>

In the mid-1980s, shared-memory multiprocessors were pretty expensive and pretty rare. Now, as hardware costs are dropping, they are becoming commonplace. Many home computer systems in the under-\$3000 range have a socket for a second CPU. Home computer operating systems are providing the capability to use more than one processor to improve system performance. Rather than specialized resources locked away in a central computing facility, these shared-memory processors are often viewed as a logical extension of the desktop. These systems run the same operating system (UNIX or NT) as the desktop and many of the same applications from a workstation will execute on these multiprocessor servers.

Typically a workstation will have from 1 to 4 processors and a server system will have 4 to 64 processors. Shared-memory multiprocessors have a significant advantage over other multiprocessors because all the processors share the same view of the memory, as shown in Figure 3.11 (A shared-memory multiprocessor).

These processors are also described as *uniform memory access* (also known as UMA) systems. This designation indicates that memory is equally accessible to all processors with the same performance.

The popularity of these systems is not due simply to the demand for high performance computing. These systems are excellent at providing high throughput for a multiprocessing load, and function effectively as high-performance database servers, network servers, and Internet servers. Within limits, their throughput is increased linearly as more processors are added.

In this book we are not so interested in the performance of database or Internet servers. That is too passé; buy more processors, get better throughput. We are interested in pure, raw, unadulterated compute speed for *our* high performance application. Instead of running hundreds of small jobs, we want to utilize all \$750,000 worth of hardware for our single job.

The challenge is to find techniques that make a program that takes an hour to complete using one processor, complete in less than a minute using 64 processors. This is not trivial. Throughout this book so far, we have been on an endless quest for parallelism. In this and the remaining chapters, we will begin to see the payoff for all of your hard work and dedication!

<sup>10</sup>This content is available online at <http://cnx.org/content/m32797/1.3/>.

The cost of a shared-memory multiprocessor can range from \$4000 to \$30 million. Some example systems include multiple-processor Intel systems from a wide range of vendors, SGI Power Challenge Series, HP/Convex C-Series, DEC AlphaServers, Cray vector/parallel processors, and Sun Enterprise systems. The SGI Origin 2000, HP/Convex Exemplar, Data General AV-20000, and Sequent NUMAQ-2000 all are uniform-memory, symmetric multiprocessing systems that can be linked to form even larger shared nonuniform memory-access systems. Among these systems, as the price increases, the number of CPUs increases, the performance of individual CPUs increases, and the memory performance increases.

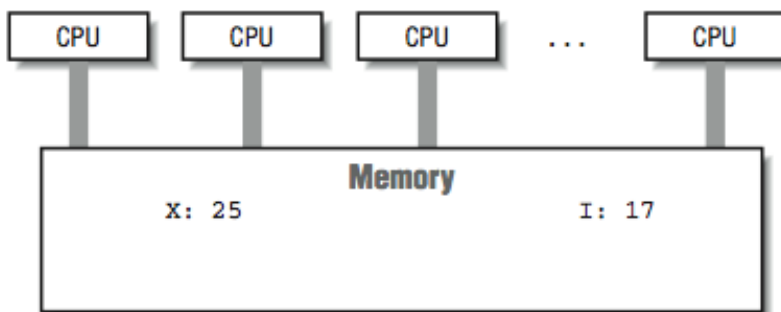
In this chapter we will study the hardware and software environment in these systems and learn how to execute our programs on these systems.

### 3.2.2 Symmetric Multiprocessing Hardware<sup>11</sup>

In Figure 3.11 (A shared-memory multiprocessor), we viewed an ideal shared-memory multiprocessor. In this section, we look in more detail at how such a system is actually constructed. The primary advantage of these systems is the ability for any CPU to access all of the memory and peripherals. Furthermore, the systems need a facility for deciding among themselves who has access to what, and when, which means there will have to be hardware support for arbitration. The two most common architectural underpinnings for symmetric multiprocessing are *buses* and *crossbars*. The bus is the simplest of the two approaches. Figure 3.12 (A typical bus architecture) shows processors connected using a bus. A bus can be thought of as a set of parallel wires connecting the components of the computer (CPU, memory, and peripheral controllers), a set of protocols for communication, and some hardware to help carry it out. A bus is less expensive to build, but because all traffic must cross the bus, as the load increases, the bus eventually becomes a performance bottleneck.

---

A shared-memory multiprocessor



---

Figure 3.11

---

<sup>11</sup>This content is available online at <<http://cnx.org/content/m32794/1.3/>>.



---

### A typical bus architecture

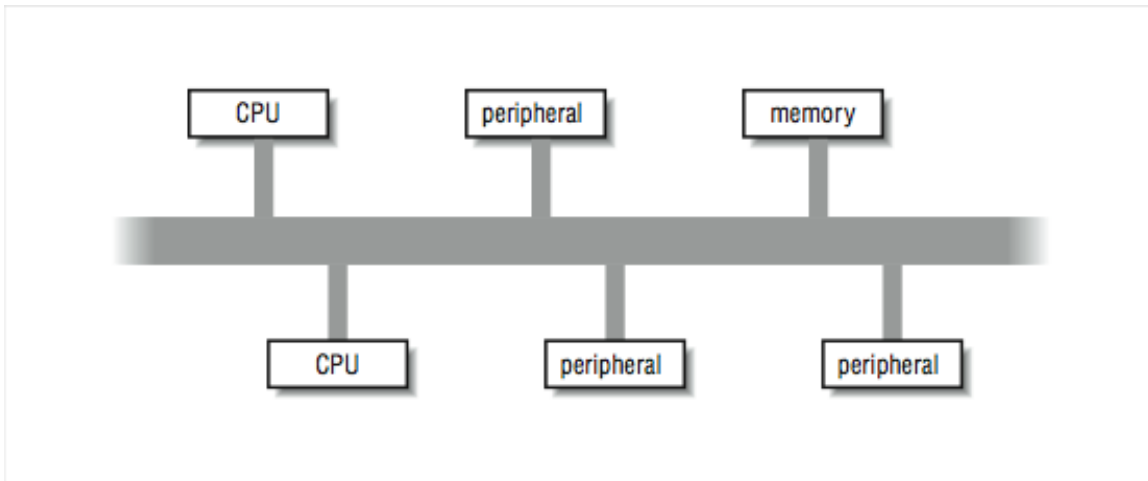


Figure 3.12

---

A crossbar is a hardware approach to eliminate the bottleneck caused by a single bus. A crossbar is like several buses running side by side with attachments to each of the modules on the machine — CPU, memory, and peripherals. Any module can get to any other by a path through the crossbar, and multiple paths may be active simultaneously. In the  $4 \times 5$  crossbar of Figure 3.13 (A crossbar), for instance, there can be four active data transfers in progress at one time. In the diagram it looks like a patchwork of wires, but there is actually quite a bit of hardware that goes into constructing a crossbar. Not only does the crossbar connect parties that wish to communicate, but it must also actively arbitrate between two or more CPUs that want access to the same memory or peripheral. In the event that one module is too popular, it's the crossbar that decides who gets access and who doesn't. Crossbars have the best performance because there is no single shared bus. However, they are more expensive to build, and their cost increases as the number of ports is increased. Because of their cost, crossbars typically are only found at the high end of the price and performance spectrum.

Whether the system uses a bus or crossbar, there is only so much memory bandwidth to go around; four or eight processors drawing from one memory system can quickly saturate all available bandwidth. All of the techniques that improve memory performance (as described in ) also apply here in the design of the memory subsystems attached to these buses or crossbars.

A crossbar

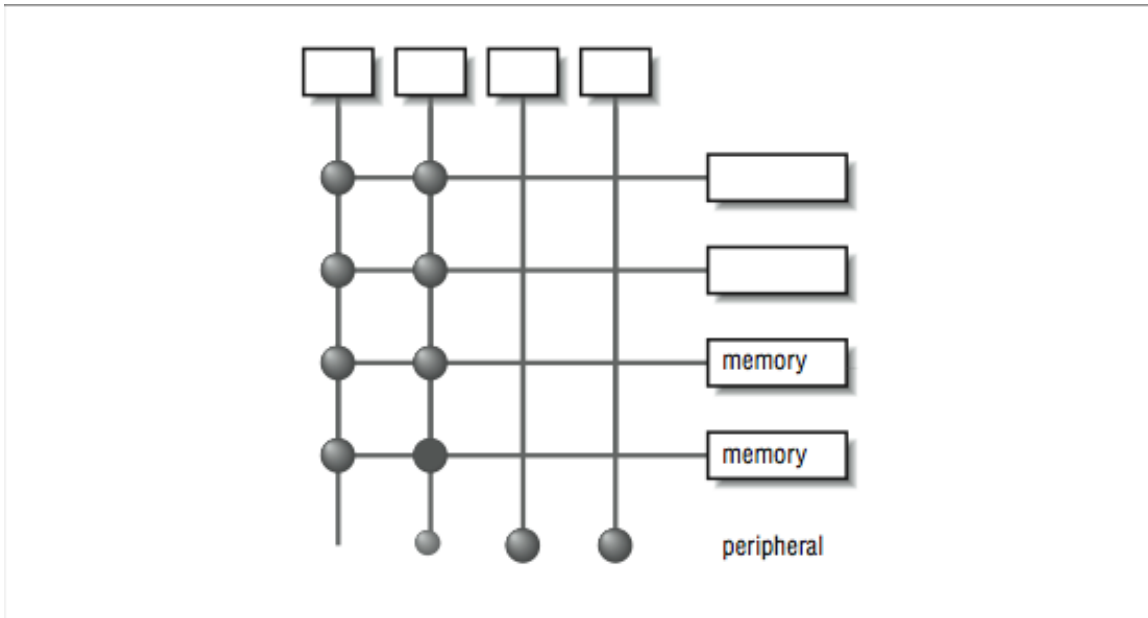


Figure 3.13

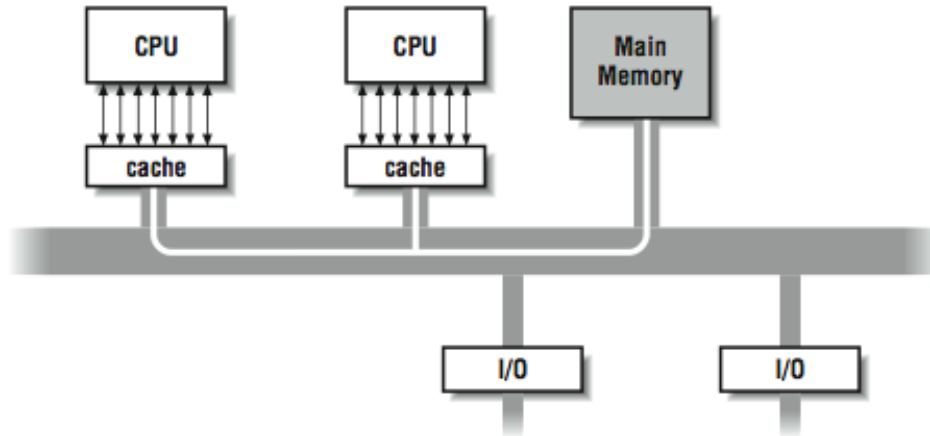
### 3.2.2.1 The Effect of Cache

The most common multiprocessing system is made up of commodity processors connected to memory and peripherals through a bus. Interestingly, the fact that these processors make use of cache somewhat mitigates the bandwidth bottleneck on a bus-based architecture. By connecting the processor to the cache and viewing the main memory through the cache, we significantly reduce the memory traffic across the bus. In this architecture, most of the memory accesses across the bus take the form of cache line loads and flushes. To understand why, consider what happens when the cache hit rate is very high. In Figure 3.14 (High cache hit rate reduces main memory traffic), a high cache hit rate eliminates some of the traffic that would have otherwise gone out across the bus or crossbar to main memory. Again, it is the notion of “locality of reference” that makes the system work. If you assume that a fair number of the memory references will hit in the cache, the equivalent attainable main memory bandwidth is more than the bus is actually capable of. This assumption explains why multiprocessors are designed with less bus bandwidth than the sum of what the CPUs can consume at once.

Imagine a scenario where two CPUs are accessing different areas of memory using unit stride. Both CPUs access the first element in a cache line at the same time. The bus arbitrarily allows one CPU access to the memory. The first CPU fills a cache line and begins to process the data. The instant the first CPU has completed its cache line fill, the cache line fill for the second CPU begins. Once the second cache line fill has completed, the second CPU begins to process the data in its cache line. If the time to process the data in a cache line is longer than the time to fill a cache line, the cache line fill for processor two completes before the next cache line request arrives from processor one. Once the initial conflict is resolved, both processors appear to have conflict-free access to memory for the remainder of their unit-stride loops.

---

**High cache hit rate reduces main memory traffic**



**Figure 3.14**

---

In actuality, on some of the fastest bus-based systems, the memory bus is sufficiently fast that up to 20 processors can access memory using unit stride with very little conflict. If the processors are accessing memory using non-unit stride, bus and memory bank conflict becomes apparent, with fewer processors.

This bus architecture combined with local caches is very popular for general-purpose multiprocessing loads. The memory reference patterns for database or Internet servers generally consist of a combination of time periods with a small working set, and time periods that access large data structures using unit stride. Scientific codes tend to perform more non-unit-stride access than general-purpose codes. For this reason, the most expensive parallel-processing systems targeted at scientific codes tend to use crossbars connected to multibanked memory systems.

The main memory system is better shielded when a larger cache is used. For this reason, multiprocessors sometimes incorporate a two-tier cache system, where each processor uses its own small on-chip local cache, backed up by a larger second board-level cache with as much as 4 MB of memory. Only when neither can satisfy a memory request, or when data has to be written back to main memory, does a request go out over the bus or crossbar.

### 3.2.2.2 Coherency

Now, what happens when one CPU of a multiprocessor running a single program in parallel changes the value of a variable, and another CPU tries to read it? Where does the value come from? These questions are interesting because there can be multiple copies of each variable, and some of them can hold old or stale values.

For illustration, say that you are running a program with a shared variable A. Processor 1 changes the value of A and Processor 2 goes to read it.

---

### Multiple copies of variable A

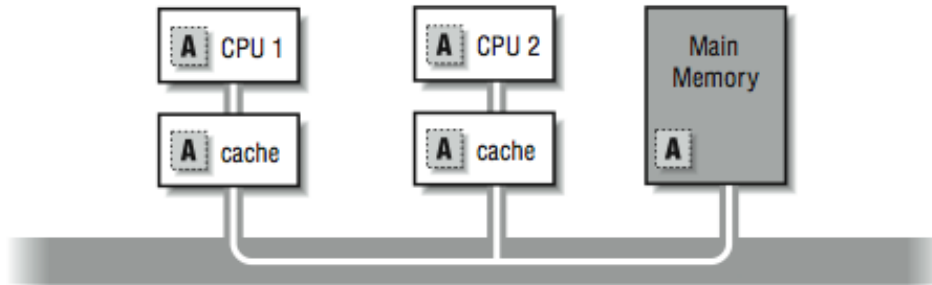


Figure 3.15

---

In Figure 3.15 (Multiple copies of variable A), if Processor 1 is keeping A as a register-resident variable, then Processor 2 doesn't stand a chance of getting the correct value when it goes to look for it. There is no way that 2 can know the contents of 1's registers; so assume, at the very least, that Processor 1 writes the new value back out. Now the question is, where does the new value get stored? Does it remain in Processor 1's cache? Is it written to main memory? Does it get updated in Processor 2's cache?

Really, we are asking what kind of *cache coherency protocol* the vendor uses to assure that all processors see a uniform view of the values in "memory." It generally isn't something that the programmer has to worry about, except that in some cases, it can affect performance. The approaches used in these systems are similar to those used in single-processor systems with some extensions. The most straight-forward cache coherency approach is called a *write-through policy*: variables written into cache are simultaneously written into main memory. As the update takes place, other caches in the system see the main memory reference being performed. This can be done because all of the caches continuously monitor (also known as *snooping*) the traffic on the bus, checking to see if each address is in their cache. If a cache "notices" that it contains a copy of the data from the locations being written, it may either *invalidate* its copy of the variable or obtain new values (depending on the policy). One thing to note is that a write-through cache demands a fair amount of main memory bandwidth since each write goes out over the main memory bus. Furthermore, successive writes to the same location or bank are subject to the main memory cycle time and can slow the machine down.

A more sophisticated cache coherency protocol is called *copyback* or *writeback*. The idea is that you write values back out to main memory only when the cache housing them needs the space for something else. Updates of cached data are coordinated between the caches, by the caches, without help from the processor. Copyback caching also uses hardware that can monitor (snoop) and respond to the memory transactions of the other caches in the system. The benefit of this method over the write-through method is that memory traffic is reduced considerably. Let's walk through it to see how it works.

#### 3.2.2.3 Cache Line States

For this approach to work, each cache must maintain a state for each line in its cache. The possible states used in the example include:

**Modified:** This cache line needs to be written back to memory.

**Exclusive:** There are no other caches that have this cache line.

**Shared:** There are read-only copies of this line in two or more caches.

**Empty/Invalid:** This cache line doesn't contain any useful data.

This particular coherency protocol is often called *MESI*. Other cache coherency protocols are more complicated, but these states give you an idea how multiprocessor writeback cache coherency works.

We start where a particular cache line is in memory and in none of the writeback caches on the systems. The first cache to ask for data from a particular part of memory completes a normal memory access; the main memory system returns data from the requested location in response to a cache miss. The associated cache line is marked *exclusive*, meaning that this is the only cache in the system containing a copy of the data; it is the owner of the data. If another cache goes to main memory looking for the same thing, the request is intercepted by the first cache, and the data is returned from the first cache — not main memory. Once an interception has occurred and the data is returned, the data is marked *shared* in both of the caches.

When a particular line is marked shared, the caches have to treat it differently than they would if they were the exclusive owners of the data — especially if any of them wants to modify it. In particular, a write to a shared cache entry is preceded by a broadcast message to all the other caches in the system. It tells them to invalidate their copies of the data. The one remaining cache line gets marked as *modified* to signal that it has been changed, and that it must be returned to main memory when the space is needed for something else. By these mechanisms, you can maintain cache coherence across the multiprocessor without adding tremendously to the memory traffic.

By the way, even if a variable is not shared, it's possible for copies of it to show up in several caches. On a symmetric multiprocessor, your program can bounce around from CPU to CPU. If you run for a little while on this CPU, and then a little while on that, your program will have operated out of separate caches. That means that there can be several copies of seemingly unshared variables scattered around the machine. Operating systems often try to minimize how often a process is moved between physical CPUs during context switches. This is one reason not to overload the available processors in a system.

#### 3.2.2.4 Data Placement

There is one more pitfall regarding shared memory we have so far failed to mention. It involves data movement. Although it would be convenient to think of the multiprocessor memory as one big pool, we have seen that it is actually a carefully crafted system of caches, coherency protocols, and main memory. The problems come when your application causes lots of data to be traded between the caches. Each reference that falls out of a given processor's cache (especially those that require an update in another processor's cache) has to go out on the bus.

Often, it's slower to get memory from another processor's cache than from the main memory because of the protocol and processing overhead involved. Not only do we need to have programs with high locality of reference and unit stride, we also need to minimize the data that must be moved from one CPU to another.

### 3.2.3 Multiprocessor Software Concepts <sup>12</sup>

Now that we have examined the way shared-memory multiprocessor hardware operates, we need to examine how software operates on these types of computers. We still have to wait until the next chapters to begin making our FORTRAN programs run in parallel. For now, we use C programs to examine the fundamentals of multiprocessing and multithreading. There are several techniques used to implement multithreading, so the topics we will cover include:

- Operating system-supported multiprocessing
- User space multithreading
- Operating system-supported multithreading

The last of these is what we primarily will use to reduce the walltime of our applications.

<sup>12</sup>This content is available online at <<http://cnx.org/content/m32800/1.3/>>.

### 3.2.3.1 Operating System–Supported Multiprocessing

Most modern general-purpose operating systems support some form of multiprocessing. Multiprocessing doesn't require more than one physical CPU; it is simply the operating system's ability to run more than one *process* on the system. The operating system context-switches between each process at fixed time intervals, or on interrupts or input-output activity. For example, in UNIX, if you use the `ps` command, you can see the processes on the system:

```
% ps -a
  PID TTY      TIME CMD
28410 pts/34    0:00 tcsh
28213 pts/38    0:00 xterm
10488 pts/51    0:01 telnet
28411 pts/34    0:00 xbiff
11123 pts/25    0:00 pine
 3805 pts/21    0:00 elm
 6773 pts/44    5:48 ansys
  ...
% ps --a | grep ansys
 6773 pts/44 6:00 ansys
```

For each process we see the process identifier (PID), the terminal that is executing the command, the amount of CPU time the command has used, and the name of the command. The PID is unique across the entire system. Most UNIX commands are executed in a separate process. In the above example, most of the processes are waiting for some type of event, so they are taking very few resources except for memory. Process 6773<sup>13</sup> seems to be executing and using resources. Running `ps` again confirms that the CPU time is increasing for the *ansys* process:

```
% vmstat 5
procs      memory          page          disk          faults      cpu
r b w  swap  free re mf pi po fr de sr f0 s0 -- -- in  sy  cs us sy id
3 0 0 353624 45432 0 0 1 0 0 0 0 0 0 0 0 461 5626 354 91 9 0
3 0 0 353248 43960 0 22 0 0 0 0 0 0 14 0 0 518 6227 385 89 11 0
```

Running the `vmstat 5` command tells us many things about the activity on the system. First, there are three runnable processes. If we had one CPU, only one would actually be running at a given instant. To allow all three jobs to progress, the operating system time-shares between the processes. Assuming equal priority, each process executes about 1/3 of the time. However, this system is a two-processor system, so each process executes about 2/3 of the time. Looking across the `vmstat` output, we can see paging activity (*pi*, *po*), context switches (*cs*), overall user time (*us*), system time (*sy*), and idle time (*id*).

Each process can execute a completely different program. While most processes are completely independent, they can cooperate and share information using interprocess communication (pipes, sockets) or various operating system-supported shared-memory areas. We generally don't use multiprocessing on these shared-memory systems as a technique to increase single-application performance.

<sup>13</sup>ANSYS is a commonly used structural-analysis package.

### 3.2.3.2 Multiprocessing software

In this section, we explore how programs access multiprocessing features.<sup>14</sup> In this example, the program creates a new process using the `fork( )` function. The new process (child) prints some messages and then changes its identity using `exec( )` by loading a new program. The original process (parent) prints some messages and then waits for the child process to complete:

```
int globvar;    /* A global variable */

main () {

    int pid,status,retval;
    int stackvar;    /* A stack variable */

    globvar = 1;
    stackvar = 1;
    printf("Main - calling fork globvar=%d stackvar=%d\n",globvar,stackvar);
    pid = fork();
    printf("Main - fork returned pid=%d\n",pid);
    if ( pid == 0 ) {
        printf("Child - globvar=%d stackvar=%d\n",globvar,stackvar);
        sleep(1);
        printf("Child - woke up globvar=%d stackvar=%d\n",globvar,stackvar);
        globvar = 100;
        stackvar = 100;
        printf("Child - modified globvar=%d stackvar=%d\n",globvar,stackvar);
        retval = execl("/bin/date", (char *) 0 );
        printf("Child - WHY ARE WE HERE retval=%d\n",retval);
    } else {
        printf("Parent - globvar=%d stackvar=%d\n",globvar,stackvar);
        globvar = 5;
        stackvar = 5;
        printf("Parent - sleeping globvar=%d stackvar=%d\n",globvar,stackvar);
        sleep(2);
        printf("Parent - woke up globvar=%d stackvar=%d\n",globvar,stackvar);
        printf("Parent - waiting for pid=%d\n",pid);
        retval = wait(&status);
        status = status >> 8; /* Return code in bits 15-8 */
        printf("Parent - status=%d retval=%d\n",status,retval);
    }
}
```

The key to understanding this code is to understand how the `fork( )` function operates. The simple summary is that the `fork( )` function is called once in a process and returns twice, once in the original process and once in a newly created process. The newly created process is an identical copy of the original process. All the variables (local and global) have been duplicated. Both processes have access to all of the open files of the original process. Figure 3.16 (How a fork operates) shows how the fork operation creates a new process.

<sup>14</sup>These examples are written in C using the POSIX 1003.1 application programming interface. This example runs on most UNIX systems and on other POSIX-compliant systems including OpenNT, Open- VMS, and many others.

The only difference between the processes is that the return value from the `fork( )` function call is 0 in the new (child) process and the process identifier (shown by the `ps` command) in the original (parent) process. This is the program output:

```
recs % cc -o fork fork.c
recs % fork
Main - calling fork globvar=1 stackvar=1
Main - fork returned pid=19336
Main - fork returned pid=0
Parent - globvar=1 stackvar=1
Parent - sleeping globvar=5 stackvar=5
Child - globvar=1 stackvar=1
Child - woke up globvar=1 stackvar=1
Child - modified globvar=100 stackvar=100
Thu Nov 6 22:40:33
Parent - woke up globvar=5 stackvar=5
Parent - waiting for pid=19336
Parent - status=0 retval=19336
recs %
```

Tracing this through, first the program sets the global and stack variable to one and then calls `fork( )`. During the `fork( )` call, the operating system suspends the process, makes an exact duplicate of the process, and then restarts both processes. You can see two messages from the statement immediately after the `fork`. The first line is coming from the original process, and the second line is coming from the new process. If you were to execute a `ps` command at this moment in time, you would see two processes running called “fork.” One would have a process identifier of 19336.



---

### How a fork operates

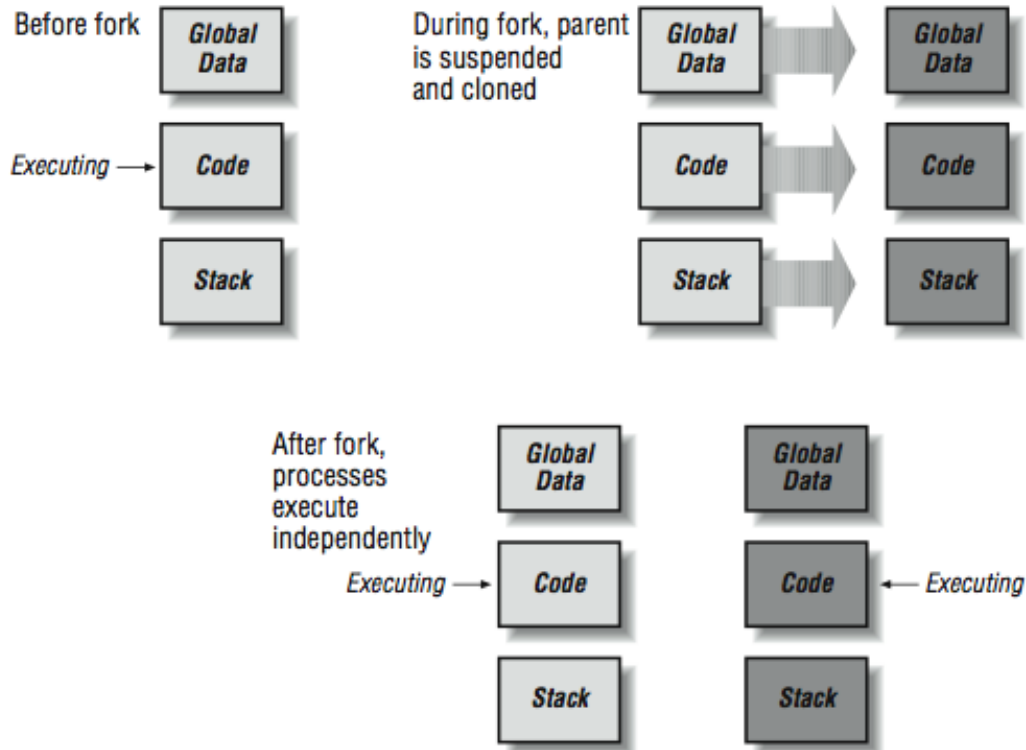


Figure 3.16

---

As both processes start, they execute an IF-THEN-ELSE and begin to perform different actions in the parent and child. Notice that *globvar* and *stackvar* are set to 5 in the parent, and then the parent sleeps for two seconds. At this point, the child begins executing. The values for *globvar* and *stackvar* are unchanged in the child process. This is because these two processes are operating in completely independent memory spaces. The child process sleeps for one second and sets its copies of the variables to 100. Next, the child process calls the `exec1( )` function to overwrite its memory space with the UNIX date program. Note that the `exec1( )` never returns; the date program takes over all of the resources of the child process. If you were to do a `ps` at this moment in time, you still see two processes on the system but process 19336 would be called “date.” The date command executes, and you can see its output.<sup>15</sup>

The parent wakes up after a brief two-second sleep and notices that its copies of global and local variables have not been changed by the action of the child process. The parent then calls the `wait( )` function to

<sup>15</sup>It’s not uncommon for a human parent process to “fork” and create a human child process that initially seems to have the same identity as the parent. It’s also not uncommon for the child process to change its overall identity to be something very different from the parent at some later point. Usually human children wait 13 years or so before this change occurs, but in UNIX, this happens in a few microseconds. So, in some ways, in UNIX, there are many parent processes that are “disappointed” because their children did not turn out like them!

determine if any of its children exited. The `wait( )` function returns which child has exited and the status code returned by that child process (in this case, process 19336).

### 3.2.3.3 User Space Multithreading

A *thread* is different from a process. When you add threads, they are added to the existing process rather than starting in a new process. Processes start with a single thread of execution and can add or remove threads throughout the duration of the program. Unlike processes, which operate in different memory spaces, all threads in a process share the same memory space. Figure 3.17 (Creating a thread) shows how the creation of a thread differs from the creation of a process. Not all of the memory space in a process is shared between all threads. In addition to the global area that is shared across all threads, each thread has a *thread private* area for its own local variables. It's important for programmers to know when they are working with shared variables and when they are working with local variables.

When attempting to speed up high performance computing applications, threads have the advantage over processes in that multiple threads can cooperate and work on a shared data structure to hasten the computation. By dividing the work into smaller portions and assigning each smaller portion to a separate thread, the total work can be completed more quickly.

Multiple threads are also used in high performance database and Internet servers to improve the overall *throughput* of the server. With a single thread, the program can either be waiting for the next network request or reading the disk to satisfy the previous request. With multiple threads, one thread can be waiting for the next network transaction while several other threads are waiting for disk I/O to complete.

The following is an example of a simple multithreaded application.<sup>16</sup> It begins with a single master thread that creates three additional threads. Each thread prints some messages, accesses some global and local variables, and then terminates:

```
#define_REENTRANT                /* basic lines for threads */
#include <stdio.h>
#include <pthread.h>

#define THREAD_COUNT 3
void *TestFunc(void *);
int globvar;                    /* A global variable */
int index[THREAD_COUNT]        /* Local zero-based thread index */
pthread_t thread_id[THREAD_COUNT]; /* POSIX Thread IDs */

main() {
    int i,retval;
    pthread_t tid;

    globvar = 0;
    printf("Main - globvar=%d\n",globvar);
    for(i=0;i<THREAD_COUNT;i++) {
        index[i] = i;
        retval = pthread_create(&tid,NULL,TestFunc,(void *) index[i]);
        printf("Main - creating i=%d tid=%d retval=%d\n",i,tid,retval);
        thread_id[i] = tid;
    }
}
```

<sup>16</sup>This example uses the IEEE POSIX standard interface for a thread library. If your system supports POSIX threads, this example should work. If not, there should be similar routines on your system for each of the thread functions.

```
printf("Main thread - threads started globvar=%d\n",globvar);
for(i=0;i<THREAD_COUNT;i++) {
    printf("Main - waiting for join %d\n",thread_id[i]);
    retval = pthread_join( thread_id[i], NULL );
    printf("Main - back from join %d retval=%d\n",i,retval);
}
printf("Main thread - threads completed globvar=%d\n",globvar);
}

void *TestFunc(void *parm) {
    int me,self;

    me = (int) parm; /* My own assigned thread ordinal */
    self = pthread_self(); /* The POSIX Thread library thread number */
    printf("TestFunc me=%d - self=%d globvar=%d\n",me,self,globvar);
    globvar = me + 15;
    printf("TestFunc me=%d - sleeping globvar=%d\n",me,globvar);
    sleep(2);
    printf("TestFunc me=%d - done param=%d globvar=%d\n",me,self,globvar);
}
```

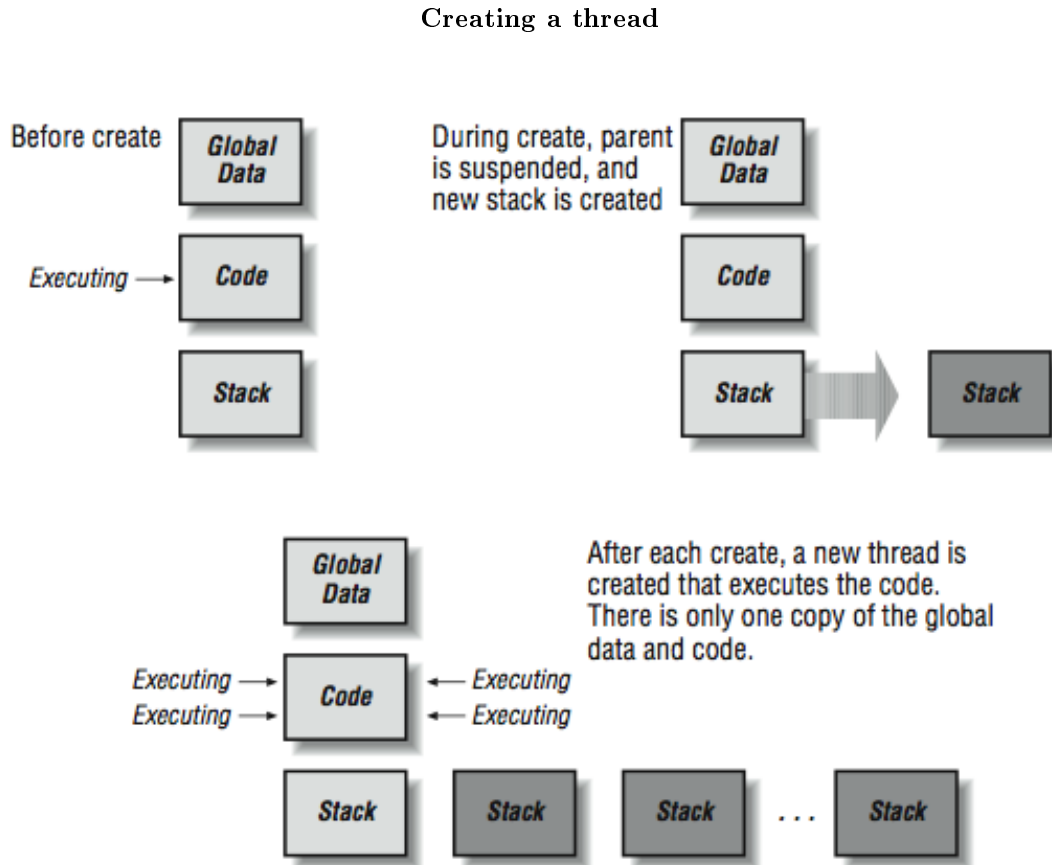


Figure 3.17

The global shared areas in this case are those variables declared in the static area outside the `main( )` code. The local variables are any variables declared within a routine. When threads are added, each thread gets its own function call stack. In C, the *automatic* variables that are declared at the beginning of each routine are allocated on the stack. As each thread enters a function, these variables are separately allocated on that particular thread's stack. So these are the *thread-local* variables.

Unlike the `fork( )` function, the `pthread_create( )` function creates a new thread, and then control is returned to the calling thread. One of the parameters of the `pthread_create( )` is the name of a function.

New threads begin execution in the function `TestFunc( )` and the thread finishes when it returns from this function. When this program is executed, it produces the following output:

```
recs % cc -o create1 -lpthread -lposix4 create1.c
recs % create1
```

```

Main - globvar=0
Main - creating i=0 tid=4 retval=0
Main - creating i=1 tid=5 retval=0
Main - creating i=2 tid=6 retval=0
Main thread - threads started globvar=0
Main - waiting for join 4
TestFunc me=0 - self=4 globvar=0
TestFunc me=0 - sleeping globvar=15
TestFunc me=1 - self=5 globvar=15
TestFunc me=1 - sleeping globvar=16
TestFunc me=2 - self=6 globvar=16
TestFunc me=2 - sleeping globvar=17
TestFunc me=2 - done param=6 globvar=17
TestFunc me=1 - done param=5 globvar=17
TestFunc me=0 - done param=4 globvar=17
Main - back from join 0 retval=0
Main - waiting for join 5
Main - back from join 1 retval=0
Main - waiting for join 6
Main - back from join 2 retval=0
Main thread -- threads completed globvar=17
recs %

```

You can see the threads getting created in the loop. The master thread completes the `pthread_create( )` loop, executes the second loop, and calls the `pthread_join( )` function. This function suspends the master thread until the specified thread completes. The master thread is waiting for Thread 4 to complete. Once the master thread suspends, one of the new threads is started. Thread 4 starts executing. Initially the variable `globvar` is set to 0 from the main program. The `self`, `me`, and `param` variables are thread-local variables, so each thread has its own copy. Thread 4 sets `globvar` to 15 and goes to sleep. Then Thread 5 begins to execute and sees `globvar` set to 15 from Thread 4; Thread 5 sets `globvar` to 16, and goes to sleep. This activates Thread 6, which sees the current value for `globvar` and sets it to 17. Then Threads 6, 5, and 4 wake up from their sleep, all notice the latest value of 17 in `globvar`, and return from the `TestFunc( )` routine, ending the threads.

All this time, the master thread is in the middle of a `pthread_join( )` waiting for Thread 4 to complete. As Thread 4 completes, the `pthread_join( )` returns. The master thread then calls `pthread_join( )` repeatedly to ensure that all three threads have been completed. Finally, the master thread prints out the value for `globvar` that contains the latest value of 17.

To summarize, when an application is executing with more than one thread, there are shared global areas and thread private areas. Different threads execute at different times, and they can easily work together in shared areas.

### 3.2.3.4 Limitations of user space multithreading

Multithreaded applications were around long before multiprocessors existed. It is quite practical to have multiple threads with a single CPU. As a matter of fact, the previous example would run on a system with any number of processors, including one. If you look closely at the code, it performs a sleep operation at each critical point in the code. One reason to add the sleep calls is to slow the program down enough that you can actually see what is going on. However, these sleep calls also have another effect. When one thread enters the sleep routine, it causes the thread library to search for other “runnable” threads. If a runnable thread is found, it begins executing immediately while the calling thread is “sleeping.” This is called a *user-space thread context* switch. The process actually has one operating system thread shared among several logical

user threads. When library routines (such as *sleep*) are called, the thread library<sup>17</sup> jumps in and reschedules threads.

We can explore this effect by substituting the following `SpinFunc( )` function, replacing `TestFunc( )` function in the `pthread_create( )` call in the previous example:

```
void *SpinFunc(void *parm) {
    int me;
    me = (int) parm;
    printf("SpinFunc me=%d - sleeping %d seconds ...\n", me, me+1);
    sleep(me+1);
    printf("SpinFunc me=%d -- wake globvar=%d...\n", me, globvar);
    globvar ++;
    printf("SpinFunc me=%d - spinning globvar=%d...\n", me, globvar);
    while(globvar < THREAD_COUNT ) ;
    printf("SpinFunc me=%d -- done globvar=%d...\n", me, globvar);
    sleep(THREAD_COUNT+1);
}
```

If you look at the function, each thread entering this function prints a message and goes to sleep for 1, 2, and 3 seconds. Then the function increments `globvar` (initially set to 0 in main) and begins a while-loop, continuously checking the value of `globvar`. As time passes, the second and third threads should finish their `sleep( )`, increment the value for `globvar`, and begin the while-loop. When the last thread reaches the loop, the value for `globvar` is 3 and all the threads exit the loop. However, this isn't what happens:

```
recs % create2 &
[1] 23921
recs %
Main - globvar=0
Main - creating i=0 tid=4 retval=0
Main - creating i=1 tid=5 retval=0
Main - creating i=2 tid=6 retval=0
Main thread - threads started globvar=0
Main - waiting for join 4
SpinFunc me=0 - sleeping 1 seconds ...
SpinFunc me=1 - sleeping 2 seconds ...
SpinFunc me=2 - sleeping 3 seconds ...
SpinFunc me=0 - wake globvar=0...
SpinFunc me=0 - spinning globvar=1...
```

```
recs % ps
  PID TTY          TIME CMD
 23921 pts/35    0:09 create2
recs % ps
  PID TTY          TIME CMD
```

<sup>17</sup>The pthreads library supports both user-space threads and operating-system threads, as we shall soon see. Another popular early threads package was called *cthread*s.

```

23921 pts/35    1:16 create2
recs % kill -9 23921
[1]    Killed                create2
recs %

```

We run the program in the background<sup>18</sup> and everything seems to run fine. All the threads go to sleep for 1, 2, and 3 seconds. The first thread wakes up and starts the loop waiting for `globvar` to be incremented by the other threads. Unfortunately, with user space threads, there is no automatic time sharing. Because we are in a CPU loop that never makes a system call, the second and third threads never get scheduled so they can complete their `sleep( )` call. To fix this problem, we need to make the following change to the code:

```
while(globvar < THREAD_COUNT ) sleep(1) ;
```

With this `sleep`<sup>19</sup> call, Threads 2 and 3 get a chance to be “scheduled.” They then finish their sleep calls, increment the `globvar` variable, and the program terminates properly.

You might ask the question, “Then what is the point of user space threads?” Well, when there is a high performance database server or Internet server, the multiple logical threads can overlap network I/O with database I/O and other background computations. This technique is not so useful when the threads all want to perform simultaneous CPU-intensive computations. To do this, you need threads that are created, managed, and scheduled by the operating system rather than a user library.

### 3.2.3.5 Operating System-Supported Multithreading

When the operating system supports multiple threads per process, you can begin to use these threads to do simultaneous computational activity. There is still no requirement that these applications be executed on a multiprocessor system. When an application that uses four operating system threads is executed on a single processor machine, the threads execute in a time-shared fashion. If there is no other load on the system, each thread gets 1/4 of the processor. While there are good reasons to have more threads than processors for noncompute applications, it’s not a good idea to have more active threads than processors for compute-intensive applications because of thread-switching overhead. (For more detail on the effect of too many threads, see Appendix D, How FORTRAN Manages Threads at Runtime.)

If you are using the POSIX threads library, it is a simple modification to request that your threads be created as operating-system rather than user threads, as the following code shows:

```

#define _REENTRANT      /* basic 3-lines for threads */
#include <stdio.h>
#include <pthread.h>

#define THREAD_COUNT 2
void *SpinFunc(void *);
int globvar;                /* A global variable */
int index[THREAD_COUNT];   /* Local zero-based thread index */
pthread_t thread_id[THREAD_COUNT]; /* POSIX Thread IDs */
pthread_attr_t attr;       /* Thread attributes NULL=use default */

```

<sup>18</sup>Because we know it will hang and ignore interrupts.

<sup>19</sup>Some thread libraries support a call to a routine `sched_yield( )` that checks for runnable threads. If it finds a runnable thread, it runs the thread. If no thread is runnable, it returns immediately to the calling thread. This routine allows a thread that has the CPU to ensure that other threads make progress during CPU-intensive periods of its code.

```

main() {
    int i,retval;
    pthread_t tid;

    globvar = 0;
    pthread_attr_init(&attr);      /* Initialize attr with defaults */
    pthread_attr_setscope(&attr, PTHREAD_SCOPE_SYSTEM);
    printf("Main - globvar=%d\n",globvar);
    for(i=0;i<THREAD_COUNT;i++) {
        index[i] = i;
        retval = pthread_create(&tid,&attr,SpinFunc,(void *) index[i]);
        printf("Main - creating i=%d tid=%d retval=%d\n",i,tid,retval);
        thread_id[i] = tid;
    }
    printf("Main thread - threads started globvar=%d\n",globvar);
    for(i=0;i<THREAD_COUNT;i++) {
        printf("Main - waiting for join %d\n",thread_id[i]);
        retval = pthread_join( thread_id[i], NULL );
        printf("Main - back from join %d retval=%d\n",i,retval);
    }
    printf("Main thread - threads completed globvar=%d\n",globvar);
}

```

The code executed by the master thread is modified slightly. We create an “attribute” data structure and set the `PTHREAD_SCOPE_SYSTEM` attribute to indicate that we would like our new threads to be created and scheduled by the operating system. We use the attribute information on the call to `pthread_create( )`. None of the other code has been changed. The following is the execution output of this new program:

```

recs % create3
Main - globvar=0
Main - creating i=0 tid=4 retval=0
SpinFunc me=0 - sleeping 1 seconds ...
Main - creating i=1 tid=5 retval=0
Main thread - threads started globvar=0
Main - waiting for join 4
SpinFunc me=1 - sleeping 2 seconds ...
SpinFunc me=0 - wake globvar=0...
SpinFunc me=0 - spinning globvar=1...
SpinFunc me=1 - wake globvar=1...
SpinFunc me=1 - spinning globvar=2...
SpinFunc me=1 - done globvar=2...
SpinFunc me=0 - done globvar=2...
Main - back from join 0 retval=0
Main - waiting for join 5
Main - back from join 1 retval=0
Main thread - threads completed globvar=2
recs %

```



Now the program executes properly. When the first thread starts spinning, the operating system is context switching between all three threads. As the threads come out of their `sleep( )`, they increment their shared variable, and when the final thread increments the shared variable, the other two threads instantly notice the new value (because of the cache coherency protocol) and finish the loop. If there are fewer than three CPUs, a thread may have to wait for a time-sharing context switch to occur before it notices the updated global variable.

With operating-system threads and multiple processors, a program can realistically break up a large computation between several independent threads and compute the solution more quickly. Of course this presupposes that the computation could be done in parallel in the first place.

### 3.2.4 Techniques for Multithreaded Programs<sup>20</sup>

Given that we have multithreaded capabilities and multiprocessors, we must still convince the threads to work together to accomplish some overall goal. Often we need some ways to coordinate and cooperate between the threads. There are several important techniques that are used while the program is running with multiple threads, including:

- Fork-join (or create-join) programming
- Synchronization using a critical section with a lock, semaphore, or mutex
- Barriers

Each of these techniques has an overhead associated with it. Because these overheads are necessary to go parallel, we must make sure that we have sufficient work to make the benefit of parallel operation worth the cost.

#### 3.2.4.1 Fork-Join Programming

This approach is the simplest method of coordinating your threads. As in the earlier examples in this chapter, a master thread sets up some global data structures that describe the tasks each thread is to perform and then use the `pthread_create( )` function to activate the proper number of threads. Each thread checks the global data structure using its thread-id as an index to find its task. The thread then performs the task and completes. The master thread waits at a `pthread_join( )` point, and when a thread has completed, it updates the global data structure and creates a new thread. These steps are repeated for each major iteration (such as a time-step) for the duration of the program:

```
for(ts=0;ts<10000;ts++) { /* Time Step Loop */
    /* Setup tasks */
    for (ith=0;ith<NUM_THREADS;ith++) pthread_create(..,work_routine,..)
    for (ith=0;ith<NUM_THREADS;ith++) pthread_join(...)
}
work_routine() {
    /* Perform Task */
    return;
}
```

The shortcoming of this approach is the overhead cost associated with creating and destroying an operating system thread for a potentially very short task.

The other approach is to have the threads created at the beginning of the program and to have them communicate amongst themselves throughout the duration of the application. To do this, they use such techniques as critical sections or barriers.

<sup>20</sup>This content is available online at <<http://cnx.org/content/m32802/1.3/>>.

### 3.2.4.2 Synchronization

Synchronization is needed when there is a particular operation to a shared variable that can only be performed by one processor at a time. For example, in previous `SpinFunc( )` examples, consider the line:

```
globvar++;
```

In assembly language, this takes at least three instructions:

```
LOAD  R1,globvar
ADD   R1,1
STORE R1,globvar
```

What if `globvar` contained 0, Thread 1 was running, and, at the precise moment it completed the `LOAD` into Register R1 and before it had completed the `ADD` or `STORE` instructions, the operating system interrupted the thread and switched to Thread 2? Thread 2 catches up and executes all three instructions using its registers: loading 0, adding 1 and storing the 1 back into `globvar`. Now Thread 2 goes to sleep and Thread 1 is restarted at the `ADD` instruction. Register R1 for Thread 1 contains the previously loaded value of 0; Thread 1 adds 1 and then stores 1 into `globvar`. What is wrong with this picture? We meant to use this code to count the number of threads that have passed this point. Two threads passed the point, but because of a bad case of bad timing, our variable indicates only that one thread passed. This is because the increment of a variable in memory is not *atomic*. That is, halfway through the increment, something else can happen.

Another way we can have a problem is on a multiprocessor when two processors execute these instructions simultaneously. They both do the `LOAD`, getting 0. Then they both add 1 and store 1 back to memory.<sup>21</sup> Which processor actually got the honor of storing *their* 1 back to memory is simply a race.

We must have some way of guaranteeing that only one thread can be in these three instructions at the same time. If one thread has started these instructions, all other threads must wait to enter until the first thread has exited. These areas are called *critical sections*. On single-CPU systems, there was a simple solution to critical sections: you could turn off interrupts for a few instructions and then turn them back on. This way you could guarantee that you would get all the way through before a timer or other interrupt occurred:

```
INTOFF                // Turn off Interrupts
LOAD  R1,globvar
ADD   R1,1
STORE R1,globvar
INTON                 // Turn on Interrupts
```

However, this technique does not work for longer critical sections or when there is more than one CPU. In these cases, you need a lock, a semaphore, or a mutex. Most thread libraries provide this type of routine. To use a mutex, we have to make some modifications to our example code:

<sup>21</sup>Boy, this is getting pretty picky. How often will either of these events really happen? Well, if it crashes your airline reservation system every 100,000 transactions or so, that would be way too often.

```

...
pthread_mutex_t my_mutex; /* MUTEX data structure */
...

main() {
    ...
    pthread_attr_init(&attr); /* Initialize attr with defaults */
    pthread_mutex_init (&my_mutex, NULL);
    .... pthread_create( ... )
    ...
}

void *SpinFunc(void *parm)    {
    ...
    pthread_mutex_lock (&my_mutex);
    globvar ++;
    pthread_mutex_unlock (&my_mutex);
    while(globvar < THREAD_COUNT ) ;
    printf("SpinFunc me=%d -- done globvar=%d...\n", me, globvar);
    ...
}

```

The mutex data structure must be declared in the shared area of the program. Before the threads are created, `pthread_mutex_init` must be called to initialize the mutex. Before `globvar` is incremented, we must lock the mutex and after we finish updating `globvar` (three instructions later), we unlock the mutex. With the code as shown above, there will never be more than one processor executing the `globvar++` line of code, and the code will never hang because an increment was missed. Semaphores and locks are used in a similar way.

Interestingly, when using user space threads, an attempt to lock an already locked mutex, semaphore, or lock can cause a thread context switch. This allows the thread that “owns” the lock a better chance to make progress toward the point where they will unlock the critical section. Also, the act of unlocking a mutex can cause the thread waiting for the mutex to be dispatched by the thread library.

### 3.2.4.3 Barriers

Barriers are different than critical sections. Sometimes in a multithreaded application, you need to have all threads arrive at a point before allowing any threads to execute beyond that point. An example of this is a *time-based simulation*. Each task processes its portion of the simulation but must wait until all of the threads have completed the current time step before any thread can begin the next time step. Typically threads are created, and then each thread executes a loop with one or more barriers in the loop. The rough pseudocode for this type of approach is as follows:

```

main() {
    for (ith=0;ith<NUM_THREADS;ith++) pthread_create(...,work_routine,...)
    for (ith=0;ith<NUM_THREADS;ith++) pthread_join(...) /* Wait a long time */
    exit()
}

work_routine() {

    for(ts=0;ts<10000;ts++) { /* Time Step Loop */
        /* Compute total forces on particles */
        wait_barrier();
        /* Update particle positions based on the forces */
    }
}

```

```

    wait_barrier();
}
return;
}

```

In a sense, our `SpinFunc( )` function implements a barrier. It sets a variable initially to 0. Then as threads arrive, the variable is incremented in a critical section. Immediately after the critical section, the thread spins until the precise moment that all the threads are in the spin loop, at which time all threads exit the spin loop and continue on.

For a critical section, only one processor can be executing in the critical section at the same time. For a barrier, all processors must arrive at the barrier before any of the processors can leave.

### 3.2.5 A Real Example <sup>22</sup>

In all of the above examples, we have focused on the mechanics of shared memory, thread creation, and thread termination. We have used the `sleep( )` routine to slow things down sufficiently to see interactions between processes. But we want to go very fast, not just learn threading for threading's sake.

The example code below uses the multithreading techniques described in this chapter to speed up a sum of a large array. The `hpcwall` routine is from Section 2.2.1.

This code allocates a four-million-element double-precision array and fills it with random numbers between 0 and 1. Then using one, two, three, and four threads, it sums up the elements in the array:

```

#define _REENTRANT          /* basic 3-lines for threads */
#include <stdio.h>
#include <stdlib.h>
#include <pthread.h>

#define MAX_THREAD 4
void *SumFunc(void *);
int ThreadCount;          /* Threads on this try */
double GlobSum;          /* A global variable */
int index[MAX_THREAD];    /* Local zero-based thread index */
pthread_t thread_id[MAX_THREAD]; /* POSIX Thread IDs */
pthread_attr_t attr;      /* Thread attributes NULL=use default */
pthread_mutex_t my_mutex; /* MUTEX data structure */

#define MAX_SIZE 4000000
double array[MAX_SIZE];  /* What we are summing... */
void hpcwall(double *);

main() {
    int i,retval;
    pthread_t tid;
    double single,multi,begtime,endtime;

    /* Initialize things */
    for (i=0; i<MAX_SIZE; i++) array[i] = drand48();
    pthread_attr_init(&attr); /* Initialize attr with defaults */

```

<sup>22</sup>This content is available online at <http://cnx.org/content/m32804/1.3/>.

```

pthread_mutex_init (&my_mutex, NULL);
pthread_attr_setscope(&attr, PTHREAD_SCOPE_SYSTEM);

/* Single threaded sum */
GlobSum = 0;
hpcwall(&begtime);
for(i=0; i<MAX_SIZE;i++) GlobSum = GlobSum + array[i];
hpcwall(&endtime);
single = endtime - begtime;
printf("Single sum=%lf time=%lf\n",GlobSum,single);

/* Use different numbers of threads to accomplish the same thing */
for(ThreadCount=2;ThreadCount<=MAX_THREAD; ThreadCount++) {
    printf("Threads=%d\n",ThreadCount);
    GlobSum = 0;
    hpcwall(&begtime);
    for(i=0;i<ThreadCount;i++) {
        index[i] = i;
        retval = pthread_create(&tid,&attr,SumFunc,(void *) index[i]);
        thread_id[i] = tid;
    }
    for(i=0;i<ThreadCount;i++) retval = pthread_join(thread_id[i],NULL);
    hpcwall(&endtime);
    multi = endtime - begtime;
    printf("Sum=%lf time=%lf\n",GlobSum,multi);
    printf("Efficiency = %lf\n",single/(multi*ThreadCount));
} /* End of the ThreadCount loop */
}

void *SumFunc(void *parm){
    int i,me,chunk,start,end;
    double LocSum;

    /* Decide which iterations belong to me */
    me = (int) parm;
    chunk = MAX_SIZE / ThreadCount;
    start = me * chunk;
    end = start + chunk; /* C-Style - actual element + 1 */
    if ( me == (ThreadCount-1) ) end = MAX_SIZE;
    printf("SumFunc me=%d start=%d end=%d\n",me,start,end);

    /* Compute sum of our subset*/
    LocSum = 0;
    for(i=start;i<end;i++ ) LocSum = LocSum + array[i];

    /* Update the global sum and return to the waiting join */
    pthread_mutex_lock (&my_mutex);
    GlobSum = GlobSum + LocSum;
    pthread_mutex_unlock (&my_mutex);
}

```

First, the code performs the sum using a single thread using a for-loop. Then for each of the parallel sums,

it creates the appropriate number of threads that call `SumFunc( )`. Each thread starts in `SumFunc( )` and initially chooses an area to operation in the shared array. The “strip” is chosen by dividing the overall array up evenly among the threads with the last thread getting a few extra if the division has a remainder.

Then, each thread independently performs the sum on its area. When a thread has finished its computation, it uses a mutex to update the global sum variable with its contribution to the global sum:

```

recs % addup
Single sum=799998000000.000000 time=0.256624
Threads=2
SumFunc me=0 start=0 end=2000000
SumFunc me=1 start=2000000 end=4000000
Sum=799998000000.000000 time=0.133530
Efficiency = 0.960923
Threads=3
SumFunc me=0 start=0 end=1333333
SumFunc me=1 start=1333333 end=2666666
SumFunc me=2 start=2666666 end=4000000
Sum=799998000000.000000 time=0.091018
Efficiency = 0.939829
Threads=4
SumFunc me=0 start=0 end=1000000
SumFunc me=1 start=1000000 end=2000000
SumFunc me=2 start=2000000 end=3000000
SumFunc me=3 start=3000000 end=4000000
Sum=799998000000.000000 time=0.107473
Efficiency = 0.596950
recs %

```

There are some interesting patterns. Before you interpret the patterns, you must know that this system is a three-processor Sun Enterprise 3000. Note that as we go from one to two threads, the time is reduced to one-half. That is a good result given how much it costs for that extra CPU. We characterize how well the additional resources have been used by computing an efficiency factor that should be 1.0. This is computed by multiplying the wall time by the number of threads. Then the time it takes on a single processor is divided by this number. If you are using the extra processors well, this evaluates to 1.0. If the extra processors are used pretty well, this would be about 0.9. If you had two threads, and the computation did not speed up at all, you would get 0.5.

At two and three threads, wall time is dropping, and the efficiency is well over 0.9. However, at four threads, the wall time increases, and our efficiency drops very dramatically. This is because we now have more threads than processors. Even though we have four threads that could execute, they must be time-sliced between three processors.<sup>23</sup> This is even worse than it might seem. As threads are switched, they move from processor to processor and their caches must also move from processor to processor, further slowing performance. This cache-thrashing effect is not too apparent in this example because the data structure is so large, most memory references are not to values previously in cache.

It's important to note that because of the nature of floating-point (see Section 1.2.1), the parallel sum may not be the same as the serial sum. To perform a summation in parallel, you must be willing to tolerate these slight variations in your results.

<sup>23</sup>It is important to match the number of runnable threads to the available resources. In compute code, when there are more threads than available processors, the threads compete among themselves, causing unnecessary overhead and reducing the efficiency of your computation.

### 3.2.6 Closing Notes<sup>24</sup>

As they drop in price, multiprocessor systems are becoming far more common. These systems have many attractive features, including good price/performance, compatibility with workstations, large memories, high throughput, large shared memories, fast I/O, and many others. While these systems are strong in multiprogrammed server roles, they are also an affordable high performance computing resource for many organizations. Their cache-coherent shared-memory model allows multithreaded applications to be easily developed.

We have also examined some of the software paradigms that must be used to develop multithreaded applications. While you hopefully will never have to write C code with explicit threads like the examples in this chapter, it is nice to understand the fundamental operations at work on these multiprocessor systems. Using the FORTRAN language with an automatic parallelizing compiler, we have the advantage that these and many more details are left to the FORTRAN compiler and runtime library. At some point, especially on the most advanced architectures, you may have to explicitly program a multithreaded program using the types of techniques shown in this chapter.

One trend that has been predicted for some time is that we will begin to see multiple cache-coherent CPUs on a single chip once the ability to increase the clock rate on a single chip slows down. Imagine that your new \$2000 workstation has four 1-GHz processors on a single chip. Sounds like a good time to learn how to write multithreaded programs!

### 3.2.7 Exercises<sup>25</sup>

#### Exercise 3.2.7.1

Experiment with the fork code in this chapter. Run the program multiple times and see how the order of the messages changes. Explain the results.

#### Exercise 3.2.7.2

Experiment with the `create1` and `create3` codes in this chapter. Remove all of the `sleep( )` calls. Execute the programs several times on single and multiprocessor systems. Can you explain why the output changes from run to run in some situations and doesn't change in others?

#### Exercise 3.2.7.3

Experiment with the parallel sum code in this chapter. In the `SumFunc( )` routine, change the for-loop to:

```
for(i=start;i<end;i++ ) GlobSum = GlobSum + array[i];
```

Remove the three lines at the end that get the mutex and update the `GlobSum`. Execute the code. Explain the difference in values that you see for `GlobSum`. Are the patterns different on a single processor and a multiprocessor? Explain the performance impact on a single processor and a multiprocessor.

#### Exercise 3.2.7.4

Explain how the following code segment could cause deadlock — two or more processes waiting for a resource that can't be relinquished:

```
...
call lock (lword1)
call lock (lword2)
...
call unlock (lword1)
call unlock (lword2)
.
```

<sup>24</sup>This content is available online at <<http://cnx.org/content/m32807/1.3/>>.

<sup>25</sup>This content is available online at <<http://cnx.org/content/m32810/1.3/>>.

```

.
.
call lock (lword2)
call lock (lword1)
...
call unlock (lword2)
call unlock (lword1)
...

```

**Exercise 3.2.7.5**

If you were to code the functionality of a spin-lock in C, it might look like this:

```

while (!lockword);
lockword = !lockword;

```

As you know from the first sections of the book, the same statements would be compiled into explicit loads and stores, a comparison, and a branch. There's a danger that two processes could each load `lockword`, find it unset, and continue on as if they owned the lock (we have a race condition). This suggests that spin-locks are implemented differently — that they're not merely the two lines of C above. How do you suppose they are implemented?

## 3.3 Programming Shared-Memory Multiprocessors

### 3.3.1 Introduction<sup>26</sup>

In Section 3.2.1, we examined the hardware used to implement shared-memory parallel processors and the software environment for a programmer who is using threads explicitly. In this chapter, we view these processors from a simpler vantage point. When programming these systems in FORTRAN, you have the advantage of the compiler's support of these systems. At the top end of ease of use, we can simply add a flag or two on the compilation of our well-written code, set an environment variable, and voilá, we are executing in parallel. If you want some more control, you can add directives to particular loops where you know better than the compiler how the loop should be executed.<sup>27</sup> First we examine how well-written loops can benefit from automatic parallelism. Then we will look at the types of directives you can add to your program to assist the compiler in generating parallel code. While this chapter refers to running your code in parallel, most of the techniques apply to the vector-processor supercomputers as well.

### 3.3.2 Automatic Parallelization<sup>28</sup>

So far in the book, we've covered the tough things you need to know to do parallel processing. At this point, assuming that your loops are clean, they use unit stride, and the iterations can all be done in parallel, all you

<sup>26</sup>This content is available online at <<http://cnx.org/content/m32812/1.3/>>.

<sup>27</sup>If you have skipped all the other chapters in the book and jumped to this one, don't be surprised if some of the terminology is unfamiliar. While all those chapters seemed to contain endless boring detail, they did contain some basic terminology. So those of us who read all those chapters have some common terminology needed for this chapter. If you don't go back and read all the chapters, don't complain about the big words we keep using in this chapter!

<sup>28</sup>This content is available online at <<http://cnx.org/content/m32821/1.3/>>.



have to do is turn on a compiler flag and buy a good parallel processor. For example, look at the following code:

```

PARAMETER(NITER=300,N=1000000)
REAL*8 A(N),X(N),B(N),C
DO ITIME=1,NITER
  DO I=1,N
    A(I) = X(I) + B(I) * C
  ENDDO
  CALL WHATEVER(A,X,B,C)
ENDDO

```

Here we have an iterative code that satisfies all the criteria for a good parallel loop. On a good parallel processor with a modern compiler, you are two flags away from executing in parallel. On Sun Solaris systems, the `autopar` flag turns on the automatic parallelization, and the `loopinfo` flag causes the compiler to describe the particular optimization performed for each loop. To compile this code under Solaris, you simply add these flags to your `f77` call:

```

E6000: f77 -O3 -autopar -loopinfo -o daxpy daxpy.f
daxpy.f:
"daxpy.f", line 6: not parallelized, call may be unsafe
"daxpy.f", line 8: PARALLELIZED
E6000: /bin/time daxpy

real      30.9
user      30.7
sys       0.1
E6000:

```

If you simply run the code, it's executed using one thread. However, the code is enabled for parallel processing for those loops that can be executed in parallel. To execute the code in parallel, you need to set the UNIX environment to the number of parallel threads you wish to use to execute the code. On Solaris, this is done using the `PARALLEL` variable:

```

E6000: setenv PARALLEL 1
E6000: /bin/time daxpy

real      30.9
user      30.7
sys       0.1
E6000: setenv PARALLEL 2
E6000: /bin/time daxpy

```

```

real      15.6
user      31.0
sys       0.2
E6000: setenv PARALLEL 4
E6000: /bin/time daxpy

real      8.2
user      32.0
sys       0.5
E6000: setenv PARALLEL 8
E6000: /bin/time daxpy

real      4.3
user      33.0
sys       0.8

```

*Speedup* is the term used to capture how much faster the job runs using N processors compared to the performance on one processor. It is computed by dividing the single processor time by the multiprocessor time for each number of processors. Figure 3.18 (Improving performance by adding processors) shows the wall time and speedup for this application.

#### Improving performance by adding processors

Processors	Time	Speedup
1	30.9	1.0 ( <i>by definition</i> )
2	15.6	1.98
4	8.2	3.77
8	4.3	7.19

Figure 3.18

Figure 3.19 (Ideal and actual performance improvement) shows this information graphically, plotting speedup versus the number of processors.

---

### Ideal and actual performance improvement

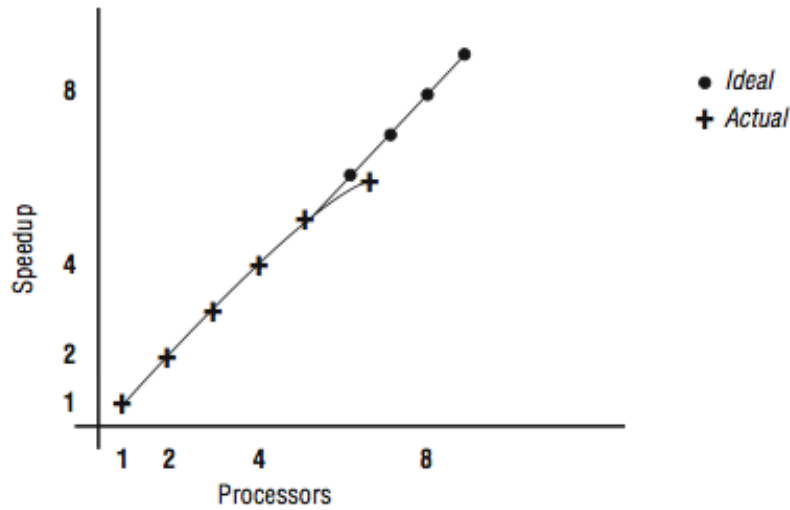


Figure 3.19

---

Note that for a while we get nearly perfect speedup, but we begin to see a measurable drop in speedup at four and eight processors. There are several causes for this. In all parallel applications, there is some portion of the code that can't run in parallel. During those nonparallel times, the other processors are waiting for work and aren't contributing to efficiency. This nonparallel code begins to affect the overall performance as more processors are added to the application.

So you say, "this is more like it!" and immediately try to run with 12 and 16 threads. Now, we see the graph in Figure 3.21 (Diminishing returns) and the data from Figure 3.20 (Increasing the number of threads).

## Increasing the number of threads

Processors	Time	Speedup
1	30.9	1.0 (by definition)
2	15.6	1.98
4	8.2	3.77
8	4.3	7.19
12	14.2	2.18
16	57.0	0.57

Figure 3.20

## Diminishing returns

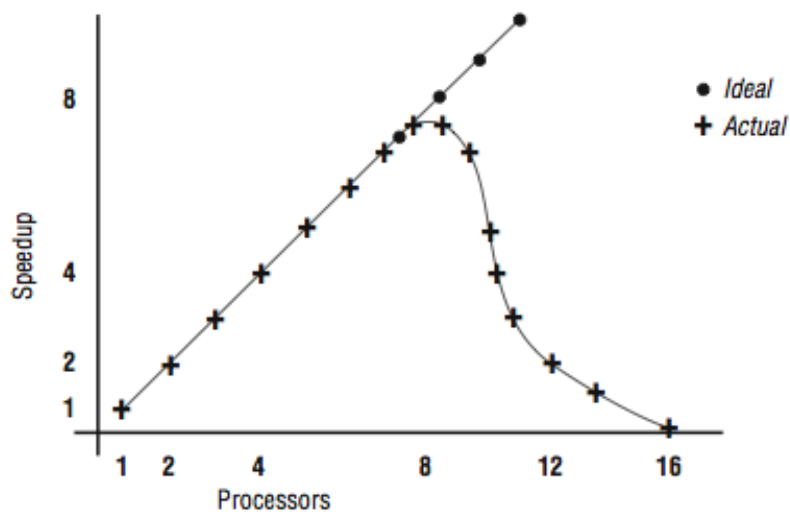


Figure 3.21

What has happened here? Things were going so well, and then they slowed down. We are running this program on a 16-processor system, and there are eight other active threads, as indicated below:

```
E6000:uptime
  4:00pm up 19 day(s), 37 min(s), 5 users, load average: 8.00, 8.05, 8.14
E6000:
```

Once we pass eight threads, there are no available processors for our threads. So the threads must be time-shared between the processors, significantly slowing the overall operation. By the end, we are executing 16 threads on eight processors, and our performance is slower than with one thread. So it is important that you don't create too many threads in these types of applications.

### 3.3.2.1 Compiler Considerations

Improving performance by turning on automatic parallelization is an example of the “smarter compiler” we discussed in earlier chapters. The addition of a single compiler flag has triggered a great deal of analysis on the part of the compiler including:

- Which loops can execute in parallel, producing the exact same results as the sequential executions of the loops? This is done by checking for dependencies that span iterations. A loop with no interiteration dependencies is called a DOALL loop.
- Which loops are worth executing in parallel? Generally very short loops gain no benefit and may execute more slowly when executing in parallel. As with loop unrolling, parallelism always has a cost. It is best used when the benefit far outweighs the cost.
- In a loop nest, which loop is the best candidate to be parallelized? Generally the best performance occurs when we parallelize the outermost loop of a loop nest. This way the overhead associated with beginning a parallel loop is amortized over a longer parallel loop duration.
- Can and should the loop nest be interchanged? The compiler may detect that the loops in a nest can be done in any order. One order may work very well for parallel code while giving poor memory performance. Another order may give unit stride but perform poorly with multiple threads. The compiler must analyze the cost/benefit of each approach and make the best choice.
- How do we break up the iterations among the threads executing a parallel loop? Are the iterations short with uniform duration, or long with wide variation of execution time? We will see that there are a number of different ways to accomplish this. When the programmer has given no guidance, the compiler must make an educated guess.

Even though it seems complicated, the compiler can do a surprisingly good job on a wide variety of codes. It is not magic, however. For example, in the following code we have a loop-carried flow dependency:

```
PROGRAM DEP
PARAMETER(NITER=300,N=1000000)
REAL*4 A(N)

DO I=1,NITER
  CALL WHATEVER(A)
DO I=2,N
```

```

        A(I) = A(I-1) + A(I) * C
    ENDDO
ENDDO
END

```

When we compile the code, the compiler gives us the following message:

```

E6000: f77 -O3 -autopar -loopinfo -o dep dep.f
dep.f:
"dep.f", line 6: not parallelized, call may be unsafe
"dep.f", line 8: not parallelized, unsafe dependence (a)
E6000:

```

The compiler throws its hands up in despair, and lets you know that the loop at Line 8 had an unsafe dependence, and so it won't automatically parallelize the loop. When the code is executed below, adding a thread does not affect the execution performance:

```

E6000:setenv PARALLEL 1
E6000:/bin/time dep

real    18.1
user    18.1
sys     0.0
E6000:setenv PARALLEL 2
E6000:/bin/time dep

real    18.3
user    18.2
sys     0.0
E6000:

```

A typical application has many loops. Not all the loops are executed in parallel. It's a good idea to run a profile of your application, and in the routines that use most of the CPU time, check to find out which loops are not being parallelized. Within a loop nest, the compiler generally chooses only one loop to execute in parallel.

### 3.3.2.2 Other Compiler Flags

In addition to the flags shown above, you may have other compiler flags available to you that apply across the entire program:

- You may have a compiler flag to enable the automatic parallelization of reduction operations. Because the order of additions can affect the final value when computing a sum of floating-point numbers, the compiler needs permission to parallelize summation loops.

- Flags that relax the compliance with IEEE floating-point rules may also give the compiler more flexibility when trying to parallelize a loop. However, you must be sure that it's not causing accuracy problems in other areas of your code.
- Often a compiler has a flag called “unsafe optimization” or “assume no dependencies.” While this flag may indeed enhance the performance of an application with loops that have dependencies, it almost certainly produces incorrect results.

There is some value in experimenting with a compiler to see the particular combination that will yield good performance across a variety of applications. Then that set of compiler options can be used as a starting point when you encounter a new application.

### 3.3.3 Assisting the Compiler<sup>29</sup>

If it were all that simple, you wouldn't need this book. While compilers are extremely clever, there is still a lot of ways to improve the performance of your code without sacrificing its portability. Instead of converting the whole program to C and using a thread library, you can assist the compiler by adding compiler directives to our source code.

Compiler directives are typically inserted in the form of stylized FORTRAN comments. This is done so that a nonparallelizing compiler can ignore them and just look at the FORTRAN code, sans comments. This allows to you tune your code for parallel architectures without letting it run badly on a wide range of single-processor systems.

There are two categories of parallel-processing comments:

- Assertions
- Manual parallelization directives

Assertions tell the compiler certain things that you as the programmer know about the code that it might not guess by looking at the code. Through the assertions, you are attempting to assuage the compiler's doubts about whether or not the loop is eligible for parallelization. When you use directives, you are taking full responsibility for the correct execution of the program. You are telling the compiler what to parallelize and how to do it. You take full responsibility for the output of the program. If the program produces meaningless results, you have no one to blame but yourself.

#### 3.3.3.1 Assertions

In a previous example, we compiled a program and received the following output:

```
E6000: f77 -O3 -autopar -loopinfo -o dep dep.f
dep.f:
"dep.f", line 6: not parallelized, call may be unsafe
"dep.f", line 8: not parallelized, unsafe dependence (a)
E6000:
```

An uneducated programmer who has not read this book (or has not looked at the code) might exclaim, “What unsafe dependence, I never put one of those in my code!” and quickly add a *no dependencies* assertion. This is the essence of an assertion. Instead of telling the compiler to simply parallelize the loop, the programmer is telling the compiler that its conclusion that there is a dependence is incorrect. Usually the net result is that the compiler does indeed parallelize the loop.

We will briefly review the types of assertions that are typically supported by these compilers. An assertion is generally added to the code using a stylized comment.

<sup>29</sup>This content is available online at <<http://cnx.org/content/m32814/1.3/>>.

### 3.3.3.1.1 No dependencies

A **no dependencies** or **ignore dependencies** directive tells the compiler that references don't overlap. That is, it tells the compiler to generate code that may execute incorrectly if there **are** dependencies. You're saying, "I know what I'm doing; it's OK to overlap references." A no dependencies directive might help the following loop:

```
DO I=1,N
  A(I) = A(I+K) * B(I)
ENDDO
```

If you know that  $k$  is greater than  $-1$  or less than  $-n$ , you can get the compiler to parallelize the loop:

```
C$ASSERT NO_DEPENDENCIES
  DO I=1,N
    A(I) = A(I+K) * B(I)
  ENDDO
```

Of course, blindly telling the compiler that there are no dependencies is a prescription for disaster. If  $k$  equals  $-1$ , the example above becomes a recursive loop.

### 3.3.3.1.2 Relations

You will often see loops that contain some potential dependencies, making them bad candidates for a no dependencies directive. However, you may be able to supply some local facts about certain variables. This allows partial parallelization without compromising the results. In the code below, there are two potential dependencies because of subscripts involving  $k$  and  $j$ :

```
for (i=0; i<n; i++) {
  a[i] = a[i+k] * b[i];
  c[i] = c[i+j] * b[i];
}
```

Perhaps we know that there are no conflicts with references to  $a[i]$  and  $a[i+k]$ . But maybe we aren't so sure about  $c[i]$  and  $c[i+j]$ . Therefore, we can't say in general that there are no dependencies. However, we may be able to say something explicit about  $k$  (like " $k$  is always greater than  $-1$ "), leaving  $j$  out of it. This information about the relationship of one expression to another is called a **relation assertion**. Applying a relation assertion allows the compiler to apply its optimization to the first statement in the loop, giving us partial parallelization.<sup>30</sup>

Again, if you supply inaccurate testimony that leads the compiler to make unsafe optimizations, your answer may be wrong.

<sup>30</sup>Notice that, if you were tuning by hand, you could split this loop into two: one parallelizable and one not.



### 3.3.3.1.3 Permutations

As we have seen elsewhere, when elements of an array are indirectly addressed, you have to worry about whether or not some of the subscripts may be repeated. In the code below, are the values of  $K(I)$  all unique? Or are there duplicates?

```
DO I=1,N
  A(K(I)) = A(K(I)) + B(I) * C
END DO
```

If you know there are no duplicates in  $K$  (i.e., that  $A(K(I))$  is a permutation), you can inform the compiler so that iterations can execute in parallel. You supply the information using a *permutation assertion*.

### 3.3.3.1.4 No equivalences

Equivalenced arrays in FORTRAN programs provide another challenge for the compiler. If any elements of two equivalenced arrays appear in the same loop, most compilers assume that references could point to the same memory storage location and optimize very conservatively. This may be true even if it is abundantly apparent to you that there is no overlap whatsoever.

You inform the compiler that references to equivalenced arrays are safe with a *no equivalences* assertion. Of course, if you don't use equivalences, this assertion has no effect.

### 3.3.3.1.5 Trip count

Each loop can be characterized by an average number of iterations. Some loops are never executed or go around just a few times. Others may go around hundreds of times:

```
C$ASSERT TRIPCOUNT>100
  DO I=L,N
    A(I) = B(I) + C(I)
  END DO
```

Your compiler is going to look at every loop as a candidate for unrolling or parallelization. It's working in the dark, however, because it can't tell which loops are important and tries to optimize them all. This can lead to the surprising experience of seeing your runtime go up after optimization!

A *trip count assertion* provides a clue to the compiler that helps it decide how much to unroll a loop or when to parallelize a loop.<sup>31</sup> Loops that aren't important can be identified with low or zero trip counts. Important loops have high trip counts.

### 3.3.3.1.6 Inline substitution

If your compiler supports procedure inlining, you can use directives and command-line switches to specify how many nested levels of procedures you would like to inline, thresholds for procedure size, etc. The vendor will have chosen reasonable defaults.

<sup>31</sup>The assertion is made either by hand or from a profiler.

Assertions also let you choose subroutines that you think are good candidates for inlining. However, subject to its thresholds, the compiler may reject your choices. Inlining could expand the code so much that increased memory activity would claim back gains made by eliminating the procedure call. At higher optimization levels, the compiler is often capable of making its own choices for inlining candidates, provided it can find the source code for the routine under consideration.

Some compilers support a feature called *interprocedural analysis*. When this is done, the compiler looks across routine boundaries for its data flow analysis. It can perform significant optimizations across routine boundaries, including automatic inlining, constant propagation, and others.

### 3.3.3.1.7 No side effects

Without interprocedural analysis, when looking at a loop, if there is a subroutine call in the middle of the loop, the compiler has to treat the subroutine as if it will have the worst possible side effects. Also, it has to assume that there are dependencies that prevent the routine from executing simultaneously in two different threads.

Many routines (especially functions) don't have any side effects and can execute quite nicely in separate threads because each thread has its own private call stack and local variables. If the routine is meaty, there will be a great deal of benefit in executing it in parallel.

Your computer may allow you to add a directive that tells you if successive sub-routine calls are independent:

```
C$ASSERT NO_SIDE_EFFECTS
  DO I=1,N
    CALL BIGSTUFF (A,B,C,I,J,K)
  END DO
```

Even if the compiler has all the source code, use of common variables or equivalences may mask call independence.

### 3.3.3.2 Manual Parallelism

At some point, you get tired of giving the compiler advice and hoping that it will reach the conclusion to parallelize your loop. At that point you move into the realm of manual parallelism. Luckily the programming model provided in FORTRAN insulates you from much of the details of exactly how multiple threads are managed at runtime. You generally control explicit parallelism by adding specially formatted comment lines to your source code. There are a wide variety of formats of these directives. In this section, we use the syntax that is part of the OpenMP (see <sup>32</sup>) standard. You generally find similar capabilities in each of the vendor compilers. The precise syntax varies slightly from vendor to vendor. (That alone is a good reason to have a standard.)

The basic programming model is that you are executing a section of code with either a single thread or multiple threads. The programmer adds a directive to summon additional threads at various points in the code. The most basic construct is called the *parallel region*.

#### 3.3.3.2.1 Parallel regions

In a parallel region, the threads simply appear between two statements of straight-line code. A very trivial example might be the following using the OpenMP directive syntax:

<sup>32</sup><http://cnx.org/content/m32814/latest/www.openmp.org>

```

PROGRAM ONE
EXTERNAL OMP_GET_THREAD_NUM, OMP_GET_MAX_THREADS
INTEGER OMP_GET_THREAD_NUM, OMP_GET_MAX_THREADS
IGLOB = OMP_GET_MAX_THREADS()
PRINT *, 'Hello There'
C$OMP PARALLEL PRIVATE(IAM), SHARED(IGLOB)
  IAM = OMP_GET_THREAD_NUM()
  PRINT *, 'I am ', IAM, ' of ', IGLOB
C$OMP END PARALLEL
PRINT *, 'All Done'
END

```

The C\$OMP is the sentinel that indicates that this is a directive and not just another comment. The output of the program when run looks as follows:

```

% setenv OMP_NUM_THREADS 4
% a.out
Hello There
I am 0 of 4
I am 3 of 4
I am 1 of 4
I am 2 of 4
All Done
%

```

Execution begins with a single thread. As the program encounters the PARALLEL directive, the other threads are activated to join the computation. So in a sense, as execution passes the first directive, one thread becomes four. Four threads execute the two statements between the directives. As the threads are executing independently, the order in which the print statements are displayed is somewhat random. The threads wait at the END PARALLEL directive until all threads have arrived. Once all threads have completed the parallel region, a single thread continues executing the remainder of the program.

In Figure 3.22 (Data interactions during a parallel region), the PRIVATE(IAM) indicates that the IAM variable is not shared across all the threads but instead, each thread has its own private version of the variable. The IGLOB variable is shared across all the threads. Any modification of IGLOB appears in all the other threads instantly, within the limitations of the cache coherency.

## Data interactions during a parallel region

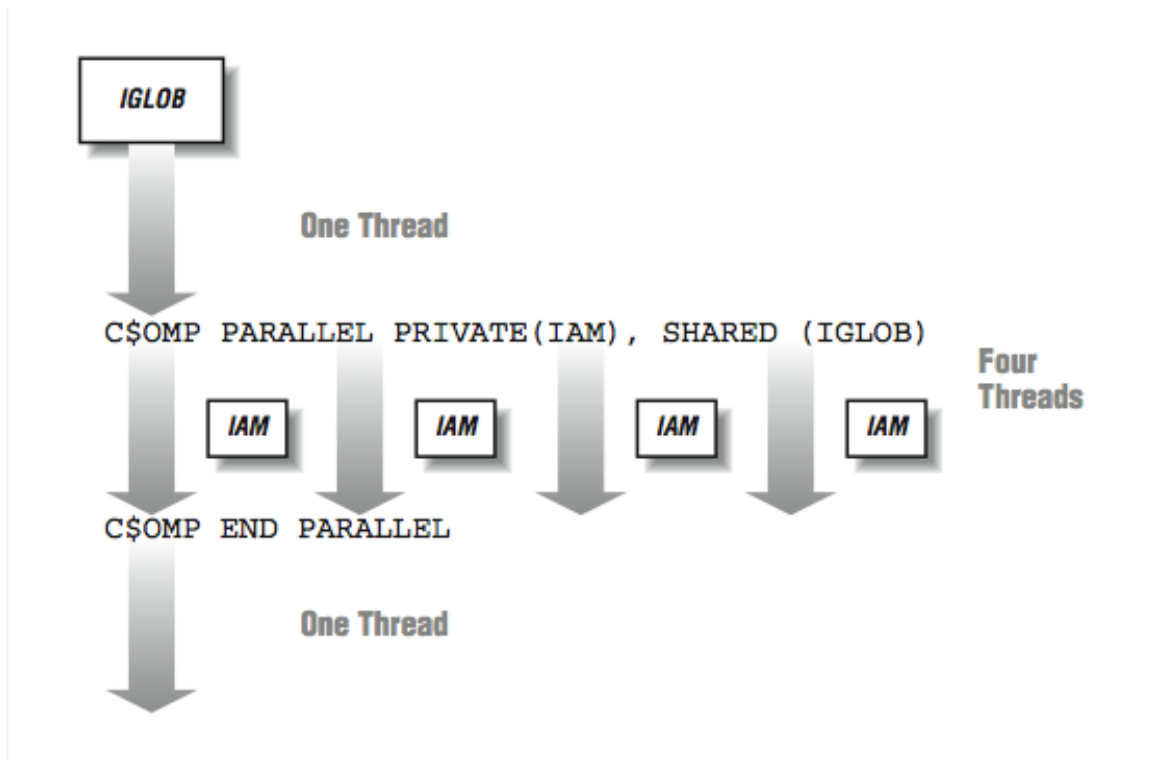


Figure 3.22

During the parallel region, the programmer typically divides the work among the threads. This pattern of going from single-threaded to multithreaded execution may be repeated many times throughout the execution of an application.

Because input and output are generally not thread-safe, to be completely correct, we should indicate that the print statement in the parallel section is only to be executed on one processor at any one time. We use a directive to indicate that this section of code is a critical section. A lock or other synchronization mechanism ensures that no more than one processor is executing the statements in the critical section at any one time:

```
C$OMP CRITICAL
  PRINT *, 'I am ', IAM, ' of ', IGLOB
C$OMP END CRITICAL
```

### 3.3.3.2.2 Parallel loops

Quite often the areas of the code that are most valuable to execute in parallel are loops. Consider the following loop:

```

DO I=1,1000000
  TMP1 = ( A(I) ** 2 ) + ( B(I) ** 2 )
  TMP2 = SQRT(TMP1)
  B(I) = TMP2
ENDDO

```

To manually parallelize this loop, we insert a directive at the beginning of the loop:

```

C$OMP PARALLEL DO
  DO I=1,1000000
    TMP1 = ( A(I) ** 2 ) + ( B(I) ** 2 )
    TMP2 = SQRT(TMP1)
    B(I) = TMP2
  ENDDO
C$OMP END PARALLEL DO

```

When this statement is encountered at runtime, the single thread again summons the other threads to join the computation. However, before the threads can start working on the loop, there are a few details that must be handled. The `PARALLEL DO` directive accepts the data classification and scoping clauses as in the parallel section directive earlier. We must indicate which variables are shared across all threads and which variables have a separate copy in each thread. It would be a disaster to have `TMP1` and `TMP2` shared across threads. As one thread takes the square root of `TMP1`, another thread would be resetting the contents of `TMP1`. `A(I)` and `B(I)` come from outside the loop, so they must be shared. We need to augment the directive as follows:

```

C$OMP PARALLEL DO SHARED(A,B) PRIVATE(I,TMP1,TMP2)
  DO I=1,1000000
    TMP1 = ( A(I) ** 2 ) + ( B(I) ** 2 )
    TMP2 = SQRT(TMP1)
    B(I) = TMP2
  ENDDO
C$OMP END PARALLEL DO

```

The iteration variable `I` also must be a thread-private variable. As the different threads increment their way through their particular subset of the arrays, they don't want to be modifying a global value for `I`.

There are a number of other options as to how data will be operated on across the threads. This summarizes some of the other data semantics available:

**Firstprivate:** These are thread-private variables that take an initial value from the global variable of the same name immediately before the loop begins executing.

**Lastprivate:** These are thread-private variables except that the thread that executes the last iteration of the loop copies its value back into the global variable of the same name.

**Reduction:** This indicates that a variable participates in a reduction operation that can be safely done in parallel. This is done by forming a partial reduction using a local variable in each thread and then combining the partial results at the end of the loop.

Each vendor may have different terms to indicate these data semantics, but most support all of these common semantics. Figure 3.23 (Variables during a parallel region) shows how the different types of data semantics operate.

Now that we have the data environment set up for the loop, the only remaining problem that must be solved is which threads will perform which iterations. It turns out that this is not a trivial task, and a wrong choice can have a significant negative impact on our overall performance.

### 3.3.3.2.3 Iteration scheduling

There are two basic techniques (along with a few variations) for dividing the iterations in a loop between threads. We can look at two extreme examples to get an idea of how this works:

```
C VECTOR ADD
  DO IPROB=1,10000
    A(IPROB) = B(IPROB) + C(IPROB)
  ENDDO

C PARTICLE TRACKING
  DO IPROB=1,10000
    RANVAL = RAND(IPROB)
    CALL ITERATE_ENERGY(RANVAL) ENDDO
  ENDDO
```

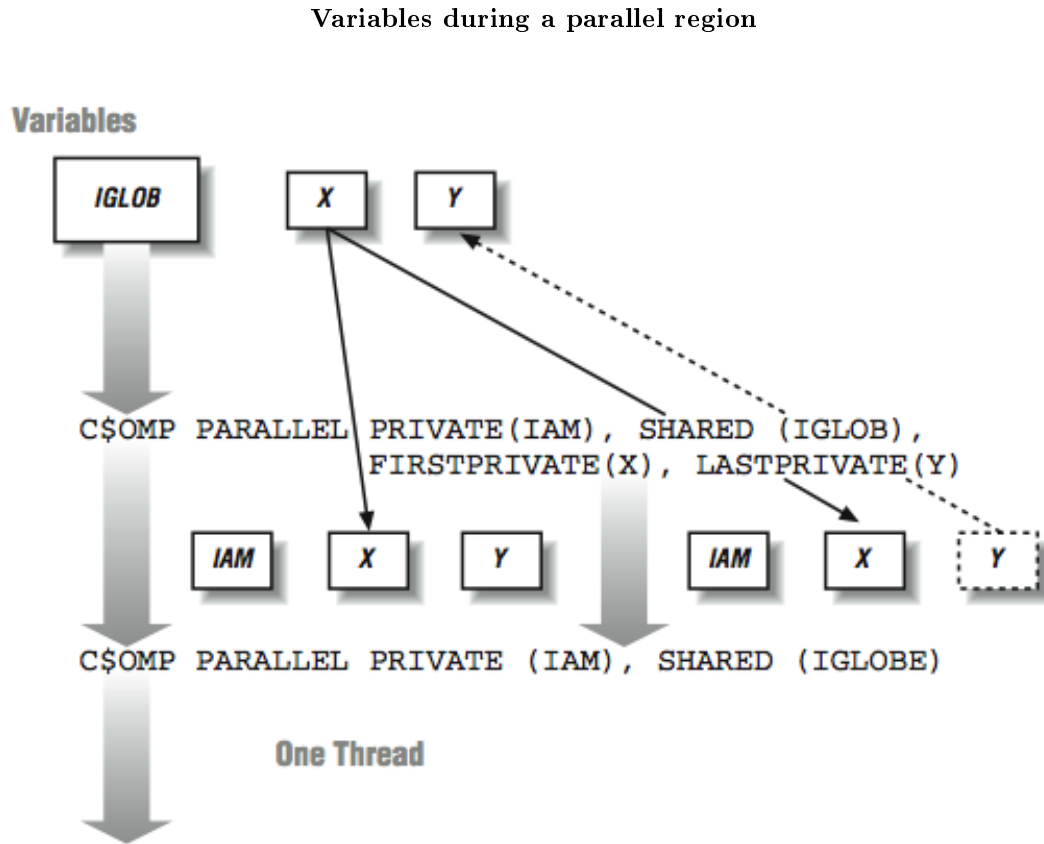


Figure 3.23

In both loops, all the computations are independent, so if there were 10,000 processors, each processor could execute a single iteration. In the vector-add example, each iteration would be relatively short, and the execution time would be relatively constant from iteration to iteration. In the particle tracking example, each iteration chooses a random number for an initial particle position and iterates to find the minimum energy. Each iteration takes a relatively long time to complete, and there will be a wide variation of completion times from iteration to iteration.

These two examples are effectively the ends of a continuous spectrum of the iteration scheduling challenges facing the FORTRAN parallel runtime environment:

#### **Static**

At the beginning of a parallel loop, each thread takes a fixed continuous portion of iterations of the loop based on the number of threads executing the loop.

#### **Dynamic**

With dynamic scheduling, each thread processes a chunk of data and when it has completed processing, a new chunk is processed. The chunk size can be varied by the programmer, but is fixed for the duration of the loop.

These two example loops can show how these iteration scheduling approaches might operate when ex-

ecuting with four threads. In the vector-add loop, static scheduling would distribute iterations 1–2500 to Thread 0, 2501–5000 to Thread 1, 5001–7500 to Thread 2, and 7501–10000 to Thread 3. In Figure 3.24 (Iteration assignment for static scheduling), the mapping of iterations to threads is shown for the static scheduling option.

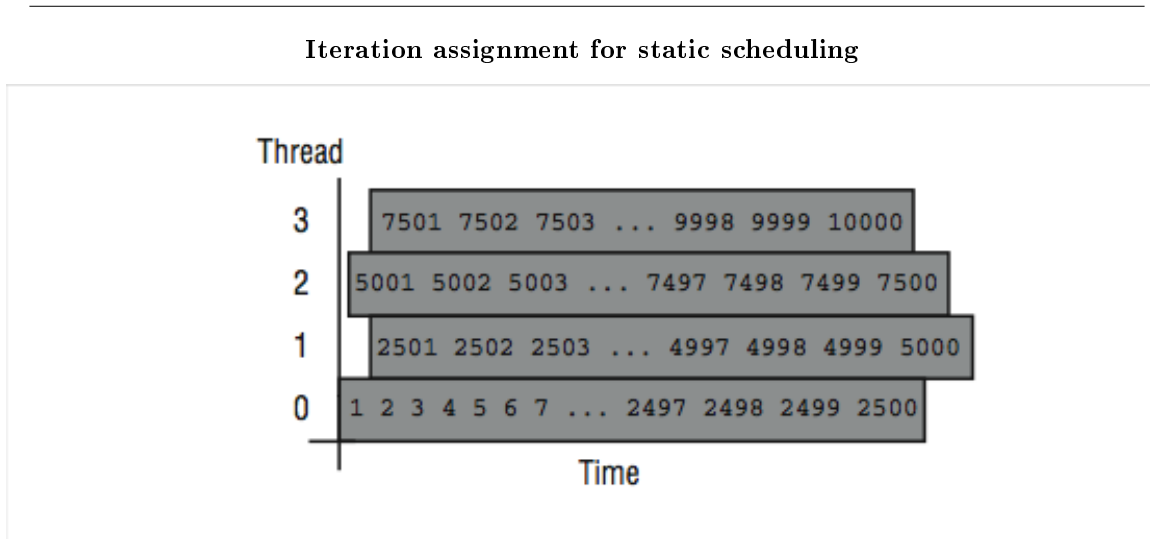


Figure 3.24

Since the loop body (a single statement) is short with a consistent execution time, static scheduling should result in roughly the same amount of overall work (and time if you assume a dedicated CPU for each thread) assigned to each thread per loop execution.

An advantage of static scheduling may occur if the entire loop is executed repeatedly. If the same iterations are assigned to the same threads that happen to be running on the same processors, the cache might actually contain the values for A, B, and C from the previous loop execution.<sup>33</sup> The runtime pseudo-code for static scheduling in the first loop might look as follows:

```
C VECTOR ADD - Static Scheduled
  ISTART = (THREAD_NUMBER * 2500 ) + 1
  IEND = ISTART + 2499
  DO ILOCAL = ISTART,IEND
    A(ILOCAL) = B(ILOCAL) + C(ILOCAL)
  ENDDO
```

It's not always a good strategy to use the static approach of giving a fixed number of iterations to each thread. If this is used in the second loop example, long and varying iteration times would result in poor load

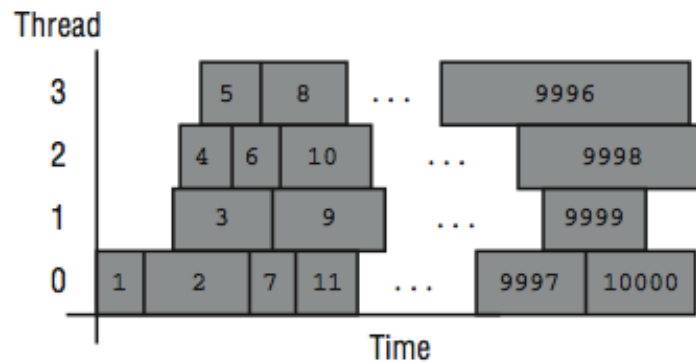
<sup>33</sup>The operating system and runtime library actually go to some lengths to try to make this happen. This is another reason not to have more threads than available processors, which causes unnecessary context switching.



balancing. A better approach is to have each processor simply get the next value for IPROB each time at the top of the loop.

That approach is called *dynamic scheduling*, and it can adapt to widely varying iteration times. In Figure 3.25 (Iteration assignment in dynamic scheduling), the mapping of iterations to processors using dynamic scheduling is shown. As soon as a processor finishes one iteration, it processes the next available iteration in order.

**Iteration assignment in dynamic scheduling**



**Figure 3.25**

If a loop is executed repeatedly, the assignment of iterations to threads may vary due to subtle timing issues that affect threads. The pseudo-code for the dynamic scheduled loop at runtime is as follows:

```
C PARTICLE TRACKING - Dynamic Scheduled
  IPROB = 0
  WHILE (IPROB <= 10000 )
    BEGIN_CRITICAL_SECTION
      IPROB = IPROB + 1
      ILOCAL = IPROB
    END_CRITICAL_SECTION
    RANVAL = RAND(ILOCAL)
    CALL ITERATE_ENERGY(RANVAL)
  ENDWHILE
```

ILOCAL is used so that each thread knows which iteration is currently processing. The IPROB value is altered by the next thread executing the critical section.

While the dynamic iteration scheduling approach works well for this particular loop, there is a significant negative performance impact if the programmer were to use the wrong approach for a loop. For example, if the dynamic approach were used for the vector-add loop, the time to process the critical section to determine which iteration to process may be larger than the time to actually process the iteration. Furthermore, any

cache affinity of the data would be effectively lost because of the virtually random assignment of iterations to processors.

In between these two approaches are a wide variety of techniques that operate on a chunk of iterations. In some techniques the chunk size is fixed, and in others it varies during the execution of the loop. In this approach, a chunk of iterations are grabbed each time the critical section is executed. This reduces the scheduling overhead, but can have problems in producing a balanced execution time for each processor. The runtime is modified as follows to perform the particle tracking loop example using a chunk size of 100:

```

IPROB = 1
CHUNKSIZE = 100
WHILE (IPROB <= 10000 )
  BEGIN_CRITICAL_SECTION
    ISTART = IPROB
    IPROB = IPROB + CHUNKSIZE
  END_CRITICAL_SECTION
  DO ILOCAL = ISTART, ISTART+CHUNKSIZE-1
    RANVAL = RAND(ILOCAL)
    CALL ITERATE_ENERGY(RANVAL)
  ENDDO
ENDWHILE

```

The choice of chunk size is a compromise between overhead and termination imbalance. Typically the programmer must get involved through directives in order to control chunk size.

Part of the challenge of iteration distribution is to balance the cost (or existence) of the critical section against the amount of work done per invocation of the critical section. In the ideal world, the critical section would be free, and all scheduling would be done dynamically. Parallel/vector supercomputers with hardware assistance for load balancing can nearly achieve the ideal using dynamic approaches with relatively small chunk size.

Because the choice of loop iteration approach is so important, the compiler relies on directives from the programmer to specify which approach to use. The following example shows how we can request the proper iteration scheduling for our loops:

```

C VECTOR ADD
C$OMP PARALLEL DO PRIVATE(IPROB) SHARED(A,B,C) SCHEDULE(STATIC)
  DO IPROB=1,10000
    A(IPROB) = B(IPROB) + C(IPROB)
  ENDDO
C$OMP END PARALLEL DO
C PARTICLE TRACKING
C$OMP PARALLEL DO PRIVATE(IPROB,RANVAL) SCHEDULE(DYNAMIC)
  DO IPROB=1,10000
    RANVAL = RAND(IPROB)
    CALL ITERATE_ENERGY(RANVAL)
  ENDDO
C$OMP END PARALLEL DO

```

### 3.3.4 Closing Notes<sup>34</sup>

Using data flow analysis and other techniques, modern compilers can peer through the clutter that we programmers innocently put into our code and see the patterns of the actual computations. In the field of high performance computing, having great parallel hardware and a lousy automatic parallelizing compiler generally results in no sales. Too many of the benchmark rules allow only a few compiler options to be set.

Physicists and chemists are interested in physics and chemistry, not computer science. If it takes 1 hour to execute a chemistry code without modifications and after six weeks of modifications the same code executes in 20 minutes, which is better? Well from a chemist's point of view, one took an hour, and the other took 1008 hours and 20 minutes, so the answer is obvious.<sup>35</sup> Although if the program were going to be executed thousands of times, the tuning might be a win for the programmer. The answer is even more obvious if it again takes six weeks to tune the program every time you make a modification to the program.

In some ways, assertions have become less popular than directives. This is due to two factors: (1) compilers are getting better at detecting parallelism even if they have to rewrite some code to do so, and (2) there are two kinds of programmers: those who know exactly how to parallelize their codes and those who turn on the "safe" auto-parallelize flags on their codes. Assertions fall in the middle ground, somewhere between where the programmer does not want to control all the details but kind of feels that the loop can be parallelized.

You can get online documentation of the OpenMP syntax used in these examples at [www.openmp.org](http://www.openmp.org)<sup>36</sup>

### 3.3.5 Exercises<sup>37</sup>

#### Exercise 3.3.5.1

Take a static, highly parallel program with a relative large inner loop. Compile the application for parallel execution. Execute the application increasing the threads. Examine the behavior when the number of threads exceed the available processors. See if different iteration scheduling approaches make a difference.

#### Exercise 3.3.5.2

Take the following loop and execute with several different iteration scheduling choices. For chunk-based scheduling, use a large chunk size, perhaps 100,000. See if any approach performs better than static scheduling:

```
DO I=1,4000000
  A(I) = B(I) * 2.34
ENDDO
```

#### Exercise 3.3.5.3

Execute the following loop for a range of values for N from 1 to 16 million:

```
DO I=1,N
```

<sup>34</sup>This content is available online at <http://cnx.org/content/m32820/1.3/>.

<sup>35</sup>On the other hand, if the person is a computer scientist, improving the performance might result in anything from a poster session at a conference to a journal article! This makes for lots of intra-departmental masters degree projects.

<sup>36</sup><http://cnx.org/content/m32820/latest/www.openmp.org>

<sup>37</sup>This content is available online at <http://cnx.org/content/m32819/1.3/>.

```
A(I) = B(I) * 2.34
ENDDO
```

Run the loop in a single processor. Then force the loop to run in parallel. At what point do you get better performance on multiple processors? Do the number of threads affect your observations?

**Exercise 3.3.5.4**

Use an explicit parallelization directive to execute the following loop in parallel with a chunk size of 1:

```
J = 0
C$OMP PARALLEL DO PRIVATE(I) SHARED(J) SCHEDULE(DYNAMIC)
DO I=1,1000000
  J = J + 1
ENDDO
PRINT *, J
C$OMP END PARALLEL DO
```

Execute the loop with a varying number of threads, including one. Also compile and execute the code in serial. Compare the output and execution times. What do the results tell you about cache coherency? About the cost of moving data from one cache to another, and about critical section costs?

# Chapter 4

## Scalable Parallel Processing

### 4.1 Language Support for Performance

#### 4.1.1 Introduction<sup>1</sup>

This chapter discusses the programming languages that are used on the largest parallel processing systems. Usually when you are faced with porting and tuning your code on a new scalable architecture architecture, you have to sit back and think about your application for a moment. Sometimes fundamental changes to your algorithm are needed before you can begin to work on the new architecture. Don't be surprised if you need to rewrite all or portions of the application in one of these languages. Modifications on one system may not give a performance benefit on another system. But if the application is important enough, it's worth the effort to improve its performance.

In this chapter, we cover:

- FORTRAN 90
- HPF: High Performance FORTRAN

These languages are designed for use on high-end computing systems. We will follow a simple program through each of these languages, using a simple finite-difference computation that roughly models heat flow. It's a classic problem that contains a great deal of parallelism and is easily solved on a wide variety of parallel architectures.

We introduce and discuss the concept of single program multiple data (SPMD) in that we treat MIMD computers as SIMD computers. We write our applications as if a large SIMD system were going to solve the problem. Instead of actually using a SIMD system, the resulting application is compiled for a MIMD system. The implicit synchronization of the SIMD systems is replaced by explicit synchronization at runtime on the MIMD systems.

#### 4.1.2 Data-Parallel Problem: Heat Flow<sup>2</sup>

A classic problem that explores scalable parallel processing is the heat flow problem. The physics behind this problem lie in partial differential equations.

We will start with a one-dimensional metal plate (also known as a rod), and move to a two-dimensional plate in later examples. We start with a rod that is at zero degrees celsius. Then we place one end in 100 degree steam and the other end in zero degree ice. We want to simulate how the heat flows from one end to another. And the resulting temperatures along points on the metal rod after the temperature has stabilized.

---

<sup>1</sup>This content is available online at <<http://cnx.org/content/m33744/1.3/>>.

<sup>2</sup>This content is available online at <<http://cnx.org/content/m33751/1.3/>>.

To do this we break the rod into 10 segments and track the temperature over time for each segment. Intuitively, within a time step, the next temperature of a portion of the plate is an average of the surrounding temperatures. Given fixed temperatures at some points in the rod, the temperatures eventually converge to a steady state after sufficient time steps. Figure 4.1 (Heat flow in a rod) shows the setup at the beginning of the simulation.

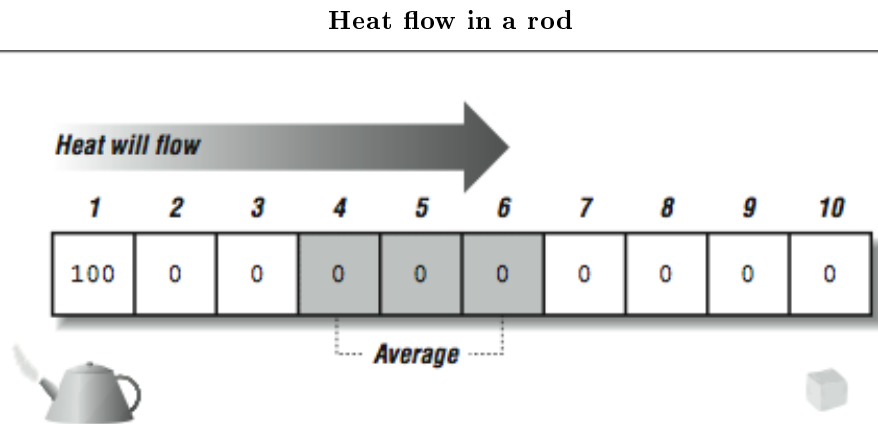


Figure 4.1

A simplistic implementation of this is as follows:

```

PROGRAM HEATROD
PARAMETER(MAXTIME=200)
INTEGER TICKS,I,MAXTIME
REAL*4 ROD(10)
ROD(1) = 100.0
DO I=2,9
  ROD(I) = 0.0
ENDDO
ROD(10) = 0.0
DO TICKS=1,MAXTIME
  IF ( MOD(TICKS,20) .EQ. 1 ) PRINT 100,TICKS,(ROD(I),I=1,10)
  DO I=2,9
    ROD(I) = (ROD(I-1) + ROD(I+1) ) / 2
  ENDDO
ENDDO
100 FORMAT(I4,10F7.2)
END

```

The output of this program is as follows:

```

% f77 heatrod.f
heatrod.f:
  MAIN heatrod:
% a.out
  1 100.00  0.00  0.00  0.00  0.00  0.00  0.00  0.00  0.00  0.00
 21 100.00 87.04 74.52 62.54 51.15 40.30 29.91 19.83  9.92  0.00
 41 100.00 88.74 77.51 66.32 55.19 44.10 33.05 22.02 11.01  0.00
 61 100.00 88.88 77.76 66.64 55.53 44.42 33.31 22.21 11.10  0.00
 81 100.00 88.89 77.78 66.66 55.55 44.44 33.33 22.22 11.11  0.00
101 100.00 88.89 77.78 66.67 55.56 44.44 33.33 22.22 11.11  0.00
121 100.00 88.89 77.78 66.67 55.56 44.44 33.33 22.22 11.11  0.00
141 100.00 88.89 77.78 66.67 55.56 44.44 33.33 22.22 11.11  0.00
161 100.00 88.89 77.78 66.67 55.56 44.44 33.33 22.22 11.11  0.00
181 100.00 88.89 77.78 66.67 55.56 44.44 33.33 22.22 11.11  0.00
%
```

Clearly, by Time step 101, the simulation has converged to two decimal places of accuracy as the numbers have stopped changing. This should be the steady-state approximation of the temperature at the center of each segment of the bar.

Now, at this point, astute readers are saying to themselves, "Um, don't look now, but that loop has a flow dependency." You would also claim that this won't even parallelize a little bit. It is so bad you can't even unroll the loop for a little instruction-level parallelism!

A person familiar with the theory of heat flow will also point out that the above loop doesn't *exactly* implement the heat flow model. The problem is that the values on the right side of the assignment in the ROD loop are supposed to be from the previous time step, and that the value on the left side is the next time step. Because of the way the loop is written, the ROD(I-1) value is from the next time step, as shown in p. 193.

This can be solved using a technique called *red-black*, where we alternate between two arrays. Figure 4.3 (Using two arrays to eliminate a dependency) shows how the red-black version of the computation operates. This kills two birds with one stone! Now the mathematics is precisely correct, *and* there is no recurrence. Sounds like a real win-win situation.

#### Computing the new value for a cell

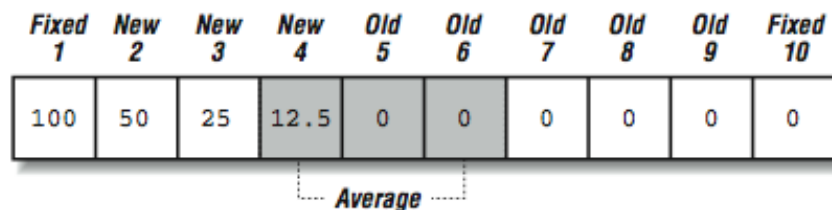


Figure 4.2

## Using two arrays to eliminate a dependency

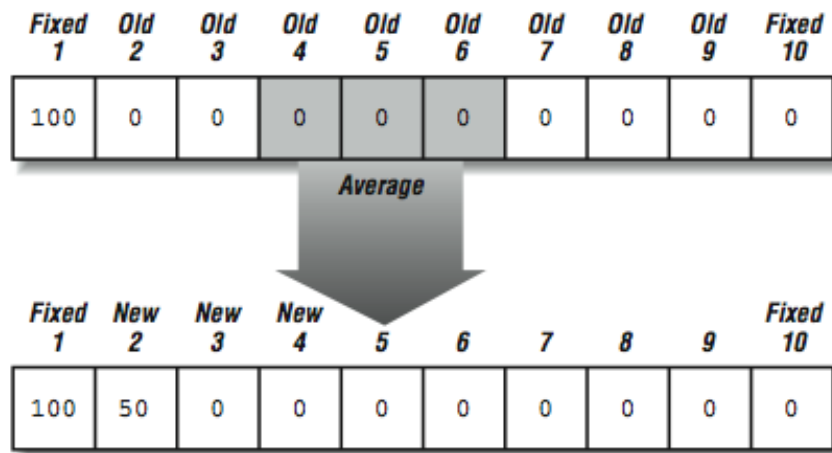


Figure 4.3

The only downside to this approach is that it takes twice the memory storage and twice the memory bandwidth.<sup>3</sup> The modified code is as follows:

```

PROGRAM HEATRED
PARAMETER(MAXTIME=200)
INTEGER TICKS,I,MAXTIME
REAL*4 RED(10),BLACK(10)

RED(1) = 100.0
BLACK(1) = 100.0
DO I=2,9
  RED(I) = 0.0
ENDDO
RED(10) = 0.0
BLACK(10) = 0.0

DO TICKS=1,MAXTIME,2
  IF ( MOD(TICKS,20) .EQ. 1 ) PRINT 100,TICKS,(RED(I),I=1,10)

```

<sup>3</sup>There is another red-black approach that computes first the even elements and then the odd elements of the rod in two passes. This approach has no data dependencies within each pass. The ROD array never has all the values from the same time step. Either the odd or even values are one time step ahead of the other. It ends up with a stride of two and doubles the bandwidth but does not double the memory storage required to solve the problem.



```

      DO I=2,9
        BLACK(I) = (RED(I-1) + RED(I+1) ) / 2
      ENDDO
      DO I=2,9
        RED(I) = (BLACK(I-1) + BLACK(I+1) ) / 2
      ENDDO
    ENDDO
100  FORMAT(I4,10F7.2)
    END

```

The output for the modified program is:

```

% f77 heatred.f
heatred.f:
  MAIN heatred:
% a.out
  1 100.00  0.00  0.00  0.00  0.00  0.00  0.00  0.00  0.00  0.00
 21 100.00 82.38 66.34 50.30 38.18 26.06 18.20 10.35  5.18  0.00
 41 100.00 87.04 74.52 61.99 50.56 39.13 28.94 18.75  9.38  0.00
 61 100.00 88.36 76.84 65.32 54.12 42.91 32.07 21.22 10.61  0.00
 81 100.00 88.74 77.51 66.28 55.14 44.00 32.97 21.93 10.97  0.00
101 100.00 88.84 77.70 66.55 55.44 44.32 33.23 22.14 11.07  0.00
121 100.00 88.88 77.76 66.63 55.52 44.41 33.30 22.20 11.10  0.00
141 100.00 88.89 77.77 66.66 55.55 44.43 33.32 22.22 11.11  0.00
161 100.00 88.89 77.78 66.66 55.55 44.44 33.33 22.22 11.11  0.00
181 100.00 88.89 77.78 66.67 55.55 44.44 33.33 22.22 11.11  0.00
%

```

Interestingly, the modified program takes longer to converge than the first version. It converges at Time step 181 rather than 101. If you look at the first version, because of the recurrence, the heat ended up flowing up faster from left to right because the left element of each average was the next-time-step value. It may seem nifty, but it's wrong.<sup>4</sup> Generally, in this problem, either approach converges to the same eventual values within the limits of floating-point representation.

This heat flow problem is extremely simple, and in its red-black form, it's inherently very parallel with very simple data interactions. It's a good model for a wide range of problems where we are discretizing two-dimensional or three-dimensional space and performing some simple simulations in that space.

This problem can usually be scaled up by making a finer grid. Often, the benefit of scalable processors is to allow a finer grid rather than a faster time to solution. For example, you might be able to do a worldwide weather simulation using a 200-mile grid in four hours on one processor. Using 100 processors, you may be able to do the simulation using a 20-mile grid in four hours with much more accurate results. Or, using 400 processors, you can do the finer grid simulation in one hour.

<sup>4</sup>There are other algorithmic approaches to solving partial differential equations, such as the "fast multipole method" that accelerates convergence "legally." Don't assume that the brute force approach used here is the only method to solve this particular problem. Programmers should always look for the best available algorithm (parallel or not) before trying to scale up the "wrong" algorithm. For folks other than computer scientists, time to solution is more important than linear speed-up.

### 4.1.3 Explicitly Parallel Languages<sup>5</sup>

As we've seen throughout this book, one of biggest tuning challenges is getting the compiler to recognize that a particular code segment can be parallelized. This is particularly true for numerical codes, where the potential payback is greatest. Think about this: if you know that something is parallel, why should there be any difficulty getting the compiler to recognize it? Why can't you just write it down, and have the compiler say "Yes, this is to be done in parallel."

The problem is that the most commonly used languages don't offer any constructs for expressing parallel computations. You are forced to express yourself in primitive terms, as if you were a caveman with a grand thought but no vocabulary to voice it. This is particularly true of FORTRAN and C. They do not support a notion of parallel computations, which means that programmers must reduce calculations to sequential steps. That sounds cumbersome, but most programmers do it so naturally that they don't even realize how good they are at it.

For example, let's say we want to add two vectors, A and B. How would we do it? We would probably write a little loop without a moment's thought:

```
DO I=1,N
  C(I) = A(I) + B(I)
END DO
```

This seems reasonable, but look what happened. We imposed an order on the calculations! Wouldn't it be enough to say "C gets A plus B"? That would free the compiler to add the vectors using any hardware at its disposal, using any method it likes. This is what parallel languages are about. They seek to supply primitives suitable for expressing parallel computations.

New parallel languages aren't being proposed as rapidly as they were in the mid-1980s. Developers have realized that you can come up with a wonderful scheme, but if it isn't compatible with FORTRAN or C, few people will care about it. The reason is simple: there are billions of lines of C and FORTRAN code, but only a few lines of *Fizgibbet*, or whatever it is you call your new parallel language. Because of the predominance of C and FORTRAN, the most significant parallel language activities today seek to extend those languages, thus protecting the 20 or 30 years of investment in programs already written.<sup>6</sup> It is too tempting for the developers of a new language to test their language on the eight-queens problem and the game of life, get good results, then declare it ready for prime time and begin waiting for the hordes of programmers converting to their particular language.

### 4.1.4 FORTRAN 90<sup>7</sup>

The previous American National Standards Institute (ANSI) FORTRAN standard release, FORTRAN 77 (X3.9-1978), was written to promote portability of FORTRAN programs between different platforms. It didn't invent new language components, but instead incorporated good features that were already available in production compilers. Unlike FORTRAN 77, FORTRAN 90 (ANSI X3.198-1992) brings new extensions and features to the language. Some of these just bring FORTRAN up to date with newer languages like C (dynamic memory allocation, scoping rules) and C++ (generic function interfaces). But some of the new features are unique to FORTRAN (array operations). Interestingly, while the FORTRAN 90 specification

<sup>5</sup>This content is available online at <<http://cnx.org/content/m33754/1.3/>>.

<sup>6</sup>One of the more significant efforts in the area of completely new languages is Streams and Iteration in a Single Assignment Language (SISAL). It's a data flow language that can easily integrate FORTRAN and C modules. The most interesting aspects of SISAL are the number of large computational codes that were ported to SISAL and the fact that the SISAL proponents generally compared their performance to the FORTRAN and C performance of the same applications.

<sup>7</sup>This content is available online at <<http://cnx.org/content/m33757/1.3/>>.

was being developed, the dominant high performance computer architectures were scalable SIMD systems such as the Connection Machine and shared-memory vector-parallel processor systems from companies like Cray Research.

FORTRAN 90 does a surprisingly good job of meeting the needs of these very different architectures. Its features also map reasonably well onto the new shared uniform memory multiprocessors. However, as we will see later, FORTRAN 90 alone is not yet sufficient to meet the needs of the scalable distributed and nonuniform access memory systems that are becoming dominant at the high end of computing.

The FORTRAN 90 extensions to FORTRAN 77 include:

- Array constructs
- Dynamic memory allocation and automatic variables
- Pointers
- New data types, structures
- New intrinsic functions, including many that operate on vectors or matrices
- New control structures, such as a WHERE statement
- Enhanced procedure interfaces

#### 4.1.4.1 FORTRAN 90 Array Constructs

With FORTRAN 90 array constructs, you can specify whole arrays or array sections as the participants in unary and binary operations. These constructs are a key feature for "unserializing" applications so that they are better suited to vector computers and parallel processors. For example, say you wish to add two vectors, A and B. In FORTRAN 90, you can express this as a simple addition operation, rather than a traditional loop. That is, you can write:

```
A = A + B
```

instead of the traditional FORTRAN 77 loop:

```
DO I=1,N
  A(I) = A(I) + B(I)
ENDDO
```

The code generated by the compiler on your workstation may not look any different, but for some of the parallel machines available now and workstations just around the corner, the difference are significant. The FORTRAN 90 version states explicitly that the computations can be performed in any order, including all in parallel at the same time.

One important effect of this is that if the FORTRAN 90 version experienced a floating-point fault adding element 17, and you were to look at the memory in a debugger, it would be perfectly legal for element 27 to be already computed.

You are not limited to one-dimensional arrays. For instance, the element-wise addition of two two-dimensional arrays could be stated like this:<sup>8</sup>

<sup>8</sup>Just in case you are wondering, A\*B gives you an element-wise multiplication of array members— not matrix multiplication. That is covered by a FORTRAN 90 intrinsic function.

```
A = A + B
```

in lieu of:

```
DO J=1,M
  DO I=1,N
    A(I,J) = A(I,J) + B(I,J)
  END DO
END DO
```

Naturally, when you want to combine two arrays in an operation, their shapes have to be compatible. Adding a seven-element vector to an eight-element vector doesn't make sense. Neither would multiplying a  $2 \times 4$  array by a  $3 \times 4$  array. When the two arrays have compatible shapes, relative to the operation being performed upon them, we say they are in *shape conformance*, as in the following code:

```
DOUBLE PRECISION A(8), B(8)
...
A = A + B
```

Scalars are always considered to be in shape conformance with arrays (and other scalars). In a binary operation with an array, a scalar is treated as an array of the same size with a single element duplicated throughout.

Still, we are limited. When you reference a particular array, *A*, for example, you reference the whole thing, from the first element to the last. You can imagine cases where you might be interested in specifying a subset of an array. This could be either a group of consecutive elements or something like "every eighth element" (i.e., a non-unit stride through the array). Parts of arrays, possibly noncontiguous, are called *array sections*.

FORTTRAN 90 array sections can be specified by replacing traditional subscripts with triplets of the form *a:b:c*, meaning "elements *a* through *b*, taken with an increment of *c*." You can omit parts of the triplet, provided the meaning remains clear. For example, *a:b* means "elements *a* through *b*;" *a:* means "elements from *a* to the upper bound with an increment of 1." Remember that a triplet replaces a single subscript, so an *n*-dimension array can have *n* triplets.

You can use triplets in expressions, again making sure that the parts of the expression are in conformance. Consider these statements:

```
REAL X(10,10), Y(100)
...
X(10,1:10) = Y(91:100)
X(10,:)   = Y(91:100)
```

The first statement above assigns the last 10 elements of **Y** to the 10th row of **X**. The second statement expresses the same thing slightly differently. The lone " : " tells the compiler that the whole range (1 through 10) is implied.

#### 4.1.4.2 FORTRAN 90 Intrinsic

FORTRAN 90 extends the functionality of FORTRAN 77 intrinsics, and adds many new ones as well, including some intrinsic subroutines. Most can be *array-valued*: they can return arrays sections or scalars, depending on how they are invoked. For example, here's a new, array-valued use of the SIN intrinsic:

```
REAL A(100,10,2)
...
A = SIN(A)
```

Each element of array **A** is replaced with its sine. FORTRAN 90 intrinsics work with array sections too, as long as the variable receiving the result is in shape conformance with the one passed:

```
REAL A(100,10,2)
REAL B(10,10,100)
...
B(:, :, 1) = COS(A(1:100:10, :, 1))
```

Other intrinsics, such as SQRT, LOG, etc., have been extended as well. Among the new intrinsics are:

**Reductions:** FORTRAN 90 has vector reductions such as MAXVAL, MINVAL, and SUM. For higher-order arrays (anything more than a vector) these functions can perform a reduction along a particular dimension. Additionally, there is a DOT\_PRODUCT function for the vectors.

**Matrix manipulation:** Intrinsics MATMUL and TRANSPOSE can manipulate whole matrices.

**Constructing or reshaping arrays:** RESHAPE allows you to create a new array from elements of an old one with a different shape. SPREAD replicates an array along a new dimension. MERGE copies portions of one array into another under control of a mask. CSHIFT allows an array to be shifted in one or more dimensions.

**Inquiry functions:** SHAPE, SIZE, LBOUND, and UBOUND let you ask questions about how an array is constructed.

**Parallel tests:** Two other new reduction intrinsics, ANY and ALL, are for testing many array elements in parallel.

#### 4.1.4.3 New Control Features

FORTRAN 90 includes some new control features, including a conditional *assignment primitive* called WHERE, that puts shape-conforming array assignments under control of a mask as in the following example. Here's an example of the WHERE primitive:

```

REAL A(2,2), B(2,2), C(2,2)
DATA B/1,2,3,4/, C/1,1,5,5/
...
WHERE (B .EQ. C)
  A = 1.0
  C = B + 1.0
ELSEWHERE
  A = -1.0
ENDWHERE

```

In places where the logical expression is TRUE, A gets 1.0 and C gets B+1.0. In the ELSEWHERE clause, A gets -1.0. The result of the operation above would be arrays A and C with the elements:

```

A =  1.0  -1.0          C =  2.0   5.0
    -1.0  -1.0          1.0   5.0

```

Again, no order is implied in these conditional assignments, meaning they can be done in parallel. This lack of implied order is critical to allowing SIMD computer systems and SPMD environments to have flexibility in performing these computations.

#### 4.1.4.4 Automatic and Allocatable Arrays

Every program needs temporary variables or work space. In the past, FORTRAN programmers have often managed their own scratch space by declaring an array large enough to handle any temporary requirements. This practice gobbles up memory (albeit virtual memory, usually), and can even have an effect on performance. With the ability to allocate memory dynamically, programmers can wait until later to decide how much scratch space to set aside. FORTRAN 90 supports dynamic memory allocation with two new language features: automatic arrays and allocatable arrays.

Like the local variables of a C program, FORTRAN 90's automatic arrays are assigned storage only for the life of the subroutine or function that contains them. This is different from traditional local storage for FORTRAN arrays, where some space was set aside at compile or link time. The size and shape of automatic arrays can be sculpted from a combination of constants and arguments. For instance, here's a declaration of an automatic array, B, using FORTRAN 90's new specification syntax:

```

SUBROUTINE RELAX(N,A)
  INTEGER N
  REAL, DIMENSION (N) :: A, B

```

Two arrays are declared: A, the dummy argument, and B, an automatic, explicit shape array. When the subroutine returns, B ceases to exist. Notice that the size of B is taken from one of the arguments, N.

Allocatable arrays give you the ability to choose the size of an array after examining other variables in the program. For example, you might want to determine the amount of input data before allocating the arrays. This little program asks the user for the matrix's size before allocating storage:

```

INTEGER M,N
REAL, ALLOCATABLE, DIMENSION (:,:) :: X
...
WRITE (*,*) 'ENTER THE DIMENSIONS OF X'
READ (*,*) M,N
ALLOCATE (X(M,N))
...
do something with X
...
DEALLOCATE (X)
...

```

The ALLOCATE statement creates an  $M \times N$  array that is later freed by the DEALLOCATE statement. As with C programs, it's important to give back allocated memory when you are done with it; otherwise, your program might consume all the virtual storage available.

#### 4.1.4.5 Heat Flow in FORTRAN 90

The heat flow problem is an ideal program to use to demonstrate how nicely FORTRAN 90 can express regular array programs:

```

PROGRAM HEATROD
PARAMETER(MAXTIME=200)
INTEGER TICKS,I,MAXTIME
REAL*4 ROD(10)
ROD(1) = 100.0
DO I=2,9
  ROD(I) = 0.0
ENDDO
ROD(10) = 0.0
DO TICKS=1,MAXTIME
  IF ( MOD(TICKS,20) .EQ. 1 ) PRINT 100,TICKS,(ROD(I),I=1,10)
  ROD(2:9) = (ROD(1:8) + ROD(3:10) ) / 2
ENDDO
100 FORMAT(I4,10F7.2)
END

```

The program is identical, except the inner loop is now replaced by a single statement that computes the "new" section by averaging a strip of the "left" elements and a strip of the "right" elements.

The output of this program is as follows:

```
E6000: f90 heat90.f
```

```

E6000:a.out
  1 100.00  0.00  0.00  0.00  0.00  0.00  0.00  0.00  0.00  0.00
 21 100.00 82.38 66.34 50.30 38.18 26.06 18.20 10.35  5.18  0.00
 41 100.00 87.04 74.52 61.99 50.56 39.13 28.94 18.75  9.38  0.00
 61 100.00 88.36 76.84 65.32 54.12 42.91 32.07 21.22 10.61  0.00
 81 100.00 88.74 77.51 66.28 55.14 44.00 32.97 21.93 10.97  0.00
101 100.00 88.84 77.70 66.55 55.44 44.32 33.23 22.14 11.07  0.00
121 100.00 88.88 77.76 66.63 55.52 44.41 33.30 22.20 11.10  0.00
141 100.00 88.89 77.77 66.66 55.55 44.43 33.32 22.22 11.11  0.00
161 100.00 88.89 77.78 66.66 55.55 44.44 33.33 22.22 11.11  0.00
181 100.00 88.89 77.78 66.67 55.55 44.44 33.33 22.22 11.11  0.00
E6000:

```

If you look closely, this output is the same as the red-black implementation. That is because in FORTRAN 90:

$$\text{ROD}(2:9) = (\text{ROD}(1:8) + \text{ROD}(3:10)) / 2$$

is a *single* assignment statement. As shown in Figure 4.4 (Data alignment and computations), the right side is completely evaluated before the resulting array section is assigned into `ROD(2:9)`. For a moment, that might seem unnatural, but consider the following statement:

$$I = I + 1$$

We know that if `I` starts with 5, it's incremented up to six by this statement. That happens because the right side (`5+1`) is evaluated before the assignment of 6 into `I` is performed. In FORTRAN 90, a variable can be an entire array. So, this is a red-black operation. There is an "old" `ROD` on the right side and a "new" `ROD` on the left side!

To really "think" FORTRAN 90, it's good to pretend you are on an SIMD system with millions of little CPUs. First we carefully align the data, sliding it around, and then—wham—in a single instruction, we add all the aligned values in an instant. Figure 4.4 (Data alignment and computations) shows graphically this act of "aligning" the values and then adding them. The data flow graph is extremely simple. The top two rows are read-only, and the data flows from top to bottom. Using the temporary space eliminates the seeming dependency. This approach of "thinking SIMD" is one of the ways to force ourselves to focus our thoughts on the data rather than the control. SIMD may not be a good architecture for your problem but if you can express it so that SIMD could work, a good SPMD environment can take advantage of the data parallelism that you have identified.

The above example actually highlights one of the challenges in producing an efficient implementation of FORTRAN 90. If these arrays contained 10 million elements, and the compiler used a simple approach, it would need 30 million elements for the old "left" values, the old "right" values, and for the new values. Data flow optimization is needed to determine just how much extra data must be maintained to give the proper results. If the compiler is clever, the extra memory can be quite small:



---

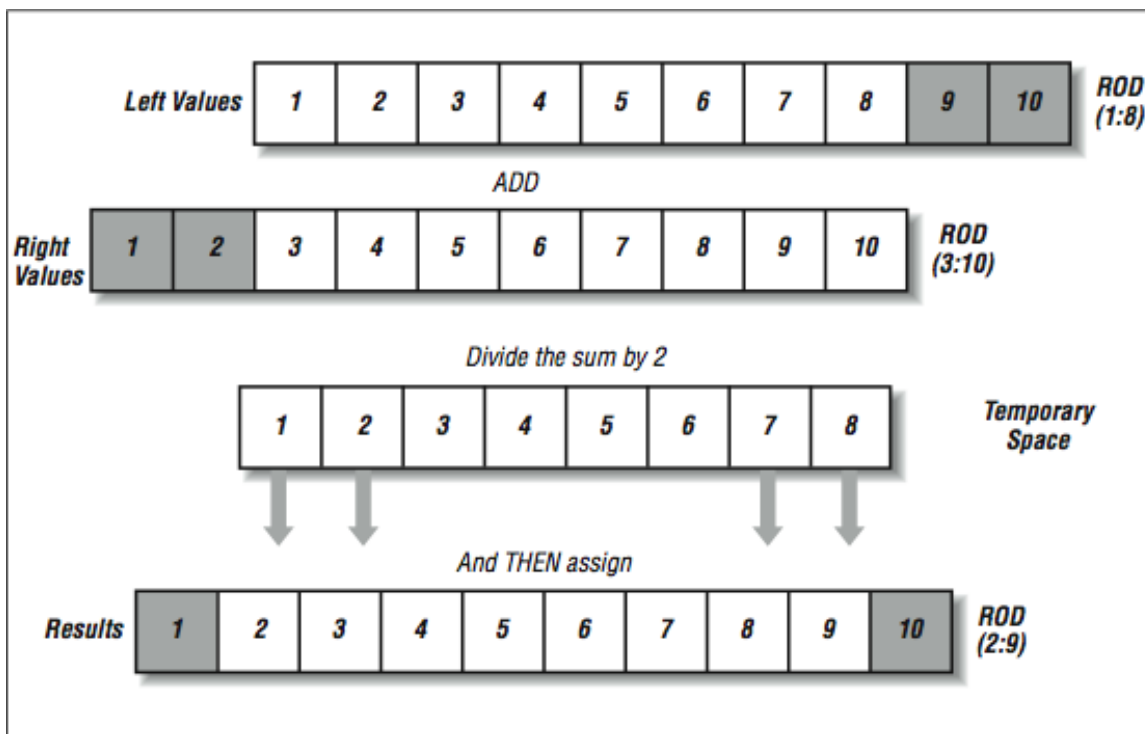
 Data alignment and computations


Figure 4.4

---

```

SAVE1 = ROD(1)
DO I=2,9
  SAVE2 = ROD(I)
  ROD(I) = (SAVE1 + ROD(I+1) ) / 2
  SAVE1 = SAVE2
ENDDO

```

This does not have the parallelism that the full red-black implementation has, but it does produce the correct results with only two extra data elements. The trick is to save the old "left" value just before you wipe it out. A good FORTRAN 90 compiler uses data flow analysis, looking at a template of how the computation moves across the data to see if it can save a few elements for a short period of time to alleviate the need for a complete extra copy of the data.

The advantage of the FORTRAN 90 language is that it's up to the compiler whether it uses a complete copy of the array or a few data elements to insure that the program executes properly. Most importantly, it can change its approach as you move from one architecture to another.

#### 4.1.4.6 FORTRAN 90 Versus FORTRAN 77

Interestingly, FORTRAN 90 has never been fully embraced by the high performance community. There are a few reasons why:

- There is a concern that the use of pointers and dynamic data structures would ruin performance and lose the optimization advantages of FORTRAN over C. Some people would say that FORTRAN 90 is trying to be a better C than C. Others would say, "who wants to become more like the slower language!" Whatever the reason, there was some controversy when FORTRAN 90 was implemented, leading to some reluctance in adoption by programmers. Some vendors said, "You can use FORTRAN 90, but FORTRAN 77 will always be faster."
- Because vendors often implemented different subsets of FORTRAN 90, it was not as portable as FORTRAN 77. Because of this, users who needed maximum portability stuck with FORTRAN 77.
- Sometimes vendors purchased their fully compliant FORTRAN 90 compilers from a third party who demanded high license fees. So, you could get the free (and faster according to the vendor) FORTRAN 77 or pay for the slower (wink wink) FORTRAN 90 compiler.
- Because of these factors, the number of serious applications developed in FORTRAN 90 was small. So the benchmarks used to purchase new systems were almost exclusively FORTRAN 77. This further motivated the vendors to improve their FORTRAN 77 compilers instead of their FORTRAN 90 compilers.
- As the FORTRAN 77 compilers became more sophisticated using data flow analysis, it became relatively easy to write portable "parallel" code in FORTRAN 77, using the techniques we have discussed in this book.
- One of the greatest potential benefits to FORTRAN 90 was portability between SIMD and the parallel/vector supercomputers. As both of these architectures were replaced with the shared uniform memory multiprocessors, FORTRAN 77 became the language that afforded the maximum portability across the computers typically used by high performance computing programmers.
- The FORTRAN 77 compilers supported directives that allowed programmers to fine-tune the performance of their applications by taking full control of the parallelism. Certain dialects of FORTRAN 77 essentially became parallel programming "assembly language." Even highly tuned versions of these codes were relatively portable across the different vendor shared uniform memory multiprocessors.

So, events conspired against FORTRAN 90 in the short run. However, FORTRAN 77 is not well suited for the distributed memory systems because it does not lend itself well to data layout directives. As we need to partition and distribute the data carefully on these new systems, we must give the compiler *lots* of flexibility. FORTRAN 90 is the language best suited to this purpose.

#### 4.1.4.7 FORTRAN 90 Summary

Well, that's the whirlwind tour of FORTRAN 90. We have probably done the language a disservice by covering it so briefly, but we wanted to give you a feel for it. There are many features that were not discussed. If you would like to learn more, we recommend *FORTRAN 90 Explained*, by Michael Metcalf and John Reid (Oxford University Press).

FORTRAN 90 by itself is not sufficient to give us scalable performance on distributed memory systems. So far, compilers are not yet capable of performing enough data flow analysis to decide where to store the data and when to retrieve the memory. So, for now, we programmers must get involved with the data layout. We must decompose the problem into parallel chunks that can be individually processed. We have several options. We can use High Performance FORTRAN and leave some of the details to the compiler, or we can use explicit message-passing and take care of *all* of the details ourselves.

### 4.1.5 Problem Decomposition<sup>9</sup>

There are three main approaches to dividing or decomposing work for distribution among multiple CPUs:

**Decomposing computations:** We have already discussed this technique. When the decomposition is done based on computations, we come up with some mechanism to divide the computations (such as the iterations of a loop) evenly among our processors. The location of the data is generally ignored, and the primary issues are iteration duration and uniformity. This is the preferred technique for the shared uniform memory systems because the data can be equally accessed by any processor.

**Decomposing data:** When memory access is nonuniform, the tendency is to focus on the distribution of the data rather than computations. The assumption is that retrieving "remote" data is costly and should be minimized. The data is distributed among the memories. The processor that contains the data performs the computations on that data after retrieving any other data necessary to perform the computation.

**Decomposing tasks:** - When the operations that must be performed are very independent, and take some time, a task decomposition can be performed. In this approach a master process/thread maintains a queue of work units. When a processor has available resources, it retrieves the next "task" from the queue and begins processing. This is a very attractive approach for embarrassingly parallel computations.<sup>10</sup>

In some sense, the rest of this chapter is primarily about data decomposition. In a distributed memory system, the communication costs usually are the dominant performance factor. If your problem is so embarrassingly parallel that it can be distributed as tasks, then nearly any technique will work. Data-parallel problems occur in many disciplines. They vary from those that are extremely parallel to those that are just sort of parallel. For example, fractal calculations are extremely parallel; each point is derived independently of the rest. It's simple to divide fractal calculations among processors. Because the calculations are independent, the processors don't have to coordinate or share data.

Our heat flow problem when expressed in its red-black (or FORTRAN 90) form is extremely parallel but requires some sharing of data. A gravitational model of a galaxy is another kind of parallel program. Each point exerts an influence on every other. Therefore, unlike the fractal calculations, the processors do have to share data.

In either case, you want to arrange calculations so that processors can say to one another, "you go over there and work on that, and I'll work on this, and we'll get together when we are finished."

Problems that offer less independence between regions are still very good candidates for domain decomposition. Finite difference problems, short-range particle interaction simulations, and columns of matrices can be treated similarly. If you can divide the domain evenly between the processors, they each do approximately the same amount of work on their way to a solution.

Other physical systems are not so regular or involve long-range interactions. The nodes of an unstructured grid may not be allocated in direct correspondence to their physical locations, for instance. Or perhaps the model involves long-range forces, such as particle attractions. These problems, though more difficult, can be structured for parallel machines as well. Sometimes various simplifications, or "lumping" of intermediate effects, are needed. For instance, the influence of a group of distant particles upon another may be treated as if there were one composite particle acting at a distance. This is done to spare the communications that would be required if every processor had to talk to every other regarding each detail. In other cases, the parallel architecture offers opportunities to express a physical system in different and clever ways that make sense in the context of the machine. For instance, each particle could be assigned to its own processor, and these could slide past one another, summing interactions and updating a time step.

Depending on the architecture of the parallel computer and problem, a choice for either dividing or replicating (portions of ) the domain may add unacceptable overhead or cost to the whole project.

<sup>9</sup>This content is available online at <<http://cnx.org/content/m33762/1.3/>>.

<sup>10</sup>The distributed RC5 key-cracking effort was coordinated in this fashion. Each processor would check out a block of keys and begin testing those keys. At some point, if the processor was not fast enough or had crashed, the central system would reissue the block to another processor. This allowed the system to recover from problems on individual computers.

For a large problem, the dollar value of main memory may make keeping separate local copies of the same data out of the question. In fact, a need for more memory is often what drives people to parallel machines; the problem they need to solve can't fit in the memory of a conventional computer.

By investing some effort, you could allow the domain partitioning to evolve as the program runs, in response to an uneven load distribution. That way, if there were a lot of requests for *As*, then several processors could dynamically get a copy of the *A* piece of the domain. Or the *A* piece could be spread out across several processors, each handling a different subset of the *A* definitions. You could also migrate unique copies of data from place to place, changing their home as needed.

When the data domain is irregular, or changes over time, the parallel program encounters a load-balancing problem. Such a problem becomes especially apparent when one portion of the parallel computations takes much longer to complete than the others. A real-world example might be an engineering analysis on an adaptive grid. As the program runs, the grid becomes more refined in those areas showing the most activity. If the work isn't reapportioned from time to time, the section of the computer with responsibility for the most highly refined portion of the grid falls farther and farther behind the performance of the rest of the machine.

#### 4.1.6 High Performance FORTRAN (HPF)<sup>11</sup>

In March 1992, the High Performance Fortran Forum (HPFF) began meeting to discuss and define a set of additions to FORTRAN 90 to make it more practical for use in a scalable computing environment. The plan was to develop a specification within the calendar year so that vendors could quickly begin to implement the standard. The scope of the effort included the following:

- Identify scalars and arrays that will be distributed across a parallel machine.
- Say how they will be distributed. Will they be strips, blocks, or something else?
- Specify how these variables will be aligned with respect to one another.
- Redistribute and realign data structures at runtime.
- Add a `FORALL` control construct for parallel assignments that are difficult or impossible to construct using FORTRAN 90's array syntax.
- Make improvements to the FORTRAN 90 `WHERE` control construct.
- Add intrinsic functions for common parallel operations.

There were several sources of inspiration for the HPF effort. Layout directives were already part of the FORTRAN 90 programming environment for some SIMD computers (i.e., the CM-2). Also, PVM, the first portable message-passing environment, had been released a year earlier, and users had a year of experience trying to decompose by hand programs. They had developed some basic usable techniques for data decomposition that worked very well but required far too much bookkeeping.<sup>12</sup>

The HPF effort brought together a diverse set of interests from all the major high performance computing vendors. Vendors representing all the major architectures were represented. As a result HPF was designed to be implemented on nearly all types of architectures.

There is an effort underway to produce the next FORTRAN standard: FORTRAN 95. FORTRAN 95 is expected to adopt some but not all of the HPF modifications.

##### 4.1.6.1 Programming in HPF

At its core, HPF includes FORTRAN 90. If a FORTRAN 90 program were run through an HPF compiler, it must produce the same results as if it were run through a FORTRAN 90 compiler. Assuming an HPF program only uses FORTRAN 90 constructs and HPF directives, a FORTRAN 90 compiler could ignore the directives, and it should produce the same results as an HPF compiler.

<sup>11</sup>This content is available online at <<http://cnx.org/content/m33765/1.3/>>.

<sup>12</sup>As we shall soon see.

As the user adds directives to the program, the semantics of the program are not changed. If the user completely misunderstands the application and inserts extremely ill-conceived directives, the program produces correct results very slowly. An HPF compiler doesn't try to "improve on" the user's directives. It assumes the programmer is omniscient.<sup>13</sup>

Once the user has determined how the data will be distributed across the processors, the HPF compiler attempts to use the minimum communication necessary and overlaps communication with computation whenever possible. HPF generally uses an "owner computes" rule for the placement of the computations. A particular element in an array is computed on the processor that stores that array element.

All the necessary data to perform the computation is gathered from remote processors, if necessary, to perform the computation. If the programmer is clever in decomposition and alignment, much of the data needed will be from the local memory rather than a remote memory. The HPF compiler is also responsible for allocating any temporary data structures needed to support communications at runtime.

In general, the HPF compiler is not magic - it simply does a very good job with the communication details when the programmer can design a good data decomposition. At the same time, it retains portability with the single CPU and shared uniform memory systems using FORTRAN 90.

#### 4.1.6.2 HPF data layout directives

Perhaps the most important contributions of HPF are its data layout directives. Using these directives, the programmer can control how data is laid out based on the programmer's knowledge of the data interactions. An example directive is as follows:

```
REAL*4 ROD(10)
!HPF$ DISTRIBUTE ROD(BLOCK)
```

The !HPF\$ prefix would be a comment to a non-HPF compiler and can safely be ignored by a straight FORTRAN 90 compiler. The DISTRIBUTE directive indicates that the ROD array is to be distributed across multiple processors. If this directive is not used, the ROD array is allocated on one processor and communicated to the other processors as necessary. There are several distributions that can be done in each dimension:

```
REAL*4 BOB(100,100,100),RICH(100,100,100)
!HPF$ DISTRIBUTE BOB(BLOCK,CYCLIC,*)
!HPF$ DISTRIBUTE RICH(CYCLIC(10))
```

These distributions operate as follows:

- BLOCK** The array is distributed across the processors using contiguous blocks of the index value. The blocks are made as large as possible.
- CYCLIC** The array is distributed across the processors, mapping each successive element to the "next" processor, and when the last processor is reached, allocation starts again on the first processor.
- CYCLIC(n)** The array is distributed the same as CYCLIC except that n successive elements are placed on each processor before moving on to the next processor.

---

<sup>13</sup> Always a safe assumption.

NOTE: All the elements in that dimension are placed on the same processor. This is most useful for multidimensional arrays.

### Distributing array elements to processors

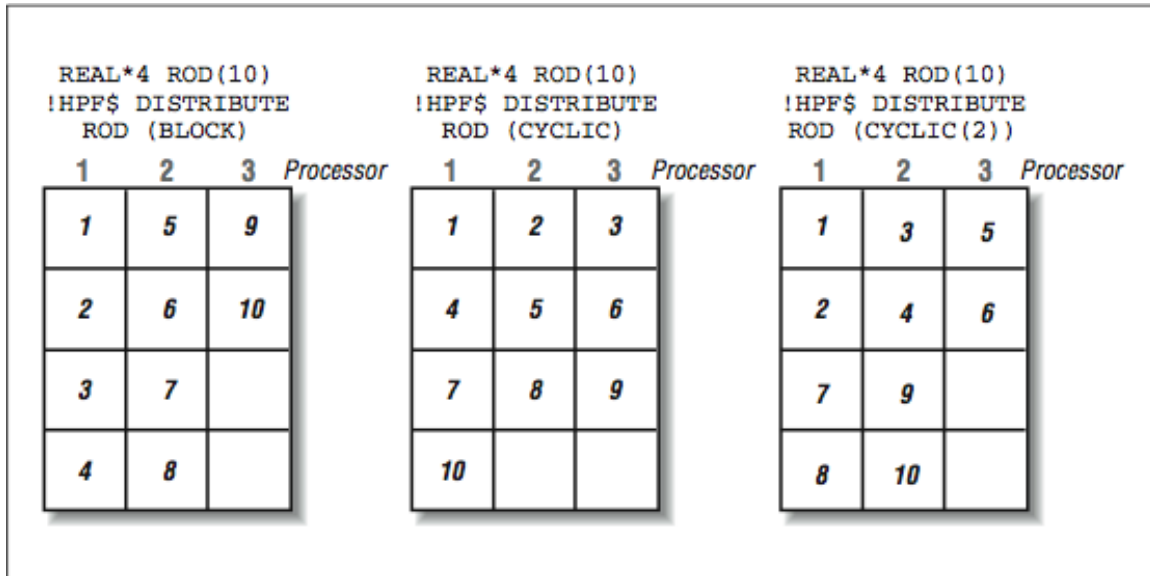


Figure 4.5

Figure 4.5 (Distributing array elements to processors) shows how the elements of a simple array would be mapped onto three processors with different directives.

It must allocate four elements to Processors 1 and 2 because there is no Processor 4 available for the leftover element if it allocated three elements to Processors 1 and 2. In Figure 4.5 (Distributing array elements to processors), the elements are allocated on successive processors, wrapping around to Processor 1 after the last processor. In Figure 4.5 (Distributing array elements to processors), using a chunk size with `CYCLIC` is a compromise between pure `BLOCK` and pure `CYCLIC`.

To explore the use of the `*`, we can look at a simple two-dimensional array mapped onto four processors. In Figure 4.6 (Two-dimensional distributions), we show the array layout and each cell indicates which processor will hold the data for that cell in the two-dimensional array. In Figure 4.6 (Two-dimensional distributions), the directive decomposes in both dimensions simultaneously. This approach results in roughly square patches in the array. However, this may not be the best approach. In the following example, we use the `*` to indicate that we want all the elements of a particular column to be allocated on the same processor. So, the column values equally distribute the columns across the processors. Then, all the rows in each column follow where the column has been placed. This allows unit stride for the on-processor portions of the computation and is beneficial in some applications. The `*` syntax is also called `on-processor` distribution.

## Two-dimensional distributions

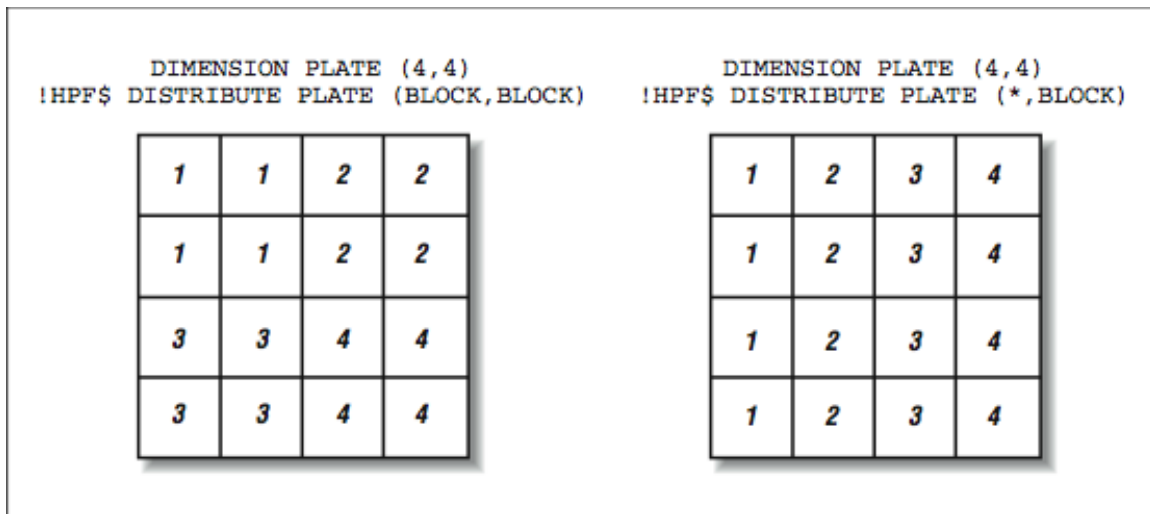


Figure 4.6

When dealing with more than one data structure to perform a computation, you can either separately distribute them or use the `ALIGN` directive to ensure that corresponding elements of the two data structures are to be allocated together. In the following example, we have a plate array and a scaling factor that must be applied to each column of the plate during the computation:

```
DIMENSION PLATE(200,200),SCALE(200)
!HPF$ DISTRIBUTE PLATE(*,BLOCK)
!HPF$ ALIGN SCALE(I) WITH PLATE(J,I)
```

Or:

```
DIMENSION PLATE(200,200),SCALE(200)
!HPF$ DISTRIBUTE PLATE(*,BLOCK)
!HPF$ ALIGN SCALE(:) WITH PLATE(*,:)
```

In both examples, the `PLATE` and the `SCALE` variables are allocated to the same processors as the corresponding columns of `PLATE`. The `*` and `:` syntax communicate the same information. When `*` is used, that dimension is collapsed, and it doesn't participate in the distribution. When the `:` is used, it means that dimension follows the corresponding dimension in the variable that has already been distributed.

You could also specify the layout of the `SCALE` variable and have the `PLATE` variable "follow" the layout of the `SCALE` variable:

```

        DIMENSION PLATE(200,200),SCALE(200)
!HPF$ DISTRIBUTE SCALE(BLOCK)
!HPF$ ALIGN PLATE(J,I) WITH SCALE(I)

```

You can put simple arithmetic expressions into the `ALIGN` directive subject to some limitations. Other directives include:

`PROCESSORS` Allows you to create a shape of the processor configuration that can be used to align other data structures.

`REDISTRIBUTE` and `REALIGN` Allow you to dynamically reshape data structures at runtime as the communication patterns change during the course of the run.

`TEMPLATE` Allows you to create an array that uses no space. Instead of distributing one data structure and aligning all the other data structures, some users will create and distribute a template and then align all of the real data structures to that template.

The use of directives can range from very simple to very complex. In some situations, you distribute the one large shared structure, align a few related structures and you are done. In other situations, programmers attempt to optimize communications based on the topology of the interconnection network (hypercube, multi-stage interconnection network, mesh, or toroid) using very detailed directives. They also might carefully redistribute the data at the various phases of the computation.

Hopefully your application will yield good performance without too much effort.

#### 4.1.6.3 HPF control structures

While the HPF designers were in the midst of defining a new language, they set about improving on what they saw as limitations in FORTRAN 90. Interestingly, these modifications are what is being considered as part of the new FORTRAN 95 standard.

The `FORALL` statement allows the user to express simple iterative operations that apply to the entire array without resorting to a do-loop (remember, do-loops force order). For example:

```
FORALL (I=1:100, J=1:100) A(I,J) = I + J
```

This can be expressed in native FORTRAN 90 but it is rather ugly, counterintuitive, and prone to error.

Another control structure is the ability to declare a function as "PURE." A PURE function has no side effects other than through its parameters. The programmer is guaranteeing that a PURE function can execute simultaneously on many processors with no ill effects. This allows HPF to assume that it will only operate on local data and does not need any data communication during the duration of the function execution. The programmer can also declare which parameters of the function are input parameters, output parameters, and input-output parameters.

#### 4.1.6.4 HPF intrinsics

The companies who marketed SIMD computers needed to come up with significant tools to allow efficient collective operations across all the processors. A perfect example of this is the SUM operation. To SUM the value of an array spread across N processors, the simplistic approach takes N steps. However, it is possible to accomplish it in  $\log(N)$  steps using a technique called *parallel-prefix-sum*. By the time HPF was in



development, a number of these operations had been identified and implemented. HPF took the opportunity to define standardized syntax for these operations.

A sample of these operations includes:

**SUM\_PREFIX** Performs various types of parallel-prefix summations.

**ALL\_SCATTER** Distributes a single value to a set of processors.

**GRADE\_DOWN** Sorts into decreasing order.

**IANY** Computes the logical OR of a set of values.

While there are a large number of these intrinsic functions, most applications use only a few of the operations.

#### 4.1.6.5 HPF extrinsics

In order to allow the vendors with diverse architectures to provide their particular advantage, HPF included the capability to link "extrinsic" functions. These functions didn't need to be written in FORTRAN 90/HPF and performed a number of vendor-supported capabilities. This capability allowed users to perform such tasks as the creation of hybrid applications with some HPF and some message passing.

High performance computing programmers always like the ability to do things their own way in order to eke out that last drop of performance.

#### 4.1.6.6 Heat Flow in HPF

To port our heat flow application to HPF, there is really only a single line of code that needs to be added. In the example below, we've changed to a larger two-dimensional array:

```

      INTEGER PLATESIZ,MAXTIME
      PARAMETER(PLATESIZ=2000,MAXTIME=200)
!HPF$  DISTRIBUTE PLATE(*,BLOCK)
      REAL*4 PLATE(PLATESIZ,PLATESIZ)
      INTEGER TICK
      PLATE = 0.0

* Add Boundaries
      PLATE(1,:) = 100.0
      PLATE(PLATESIZ,:) = -40.0
      PLATE(:,PLATESIZ) = 35.23
      PLATE(:,1) = 4.5

      DO TICK = 1,MAXTIME
        PLATE(2:PLATESIZ-1,2:PLATESIZ-1) = (
+         PLATE(1:PLATESIZ-2,2:PLATESIZ-1) +
+         PLATE(3:PLATESIZ-0,2:PLATESIZ-1) +
+         PLATE(2:PLATESIZ-1,1:PLATESIZ-2) +
+         PLATE(2:PLATESIZ-1,3:PLATESIZ-0) ) / 4.0
        PRINT 1000,TICK, PLATE(2,2)
1000    FORMAT('TICK = ',I5, F13.8)
      ENDDO
*
      END

```

You will notice that the HPF directive distributes the array columns using the BLOCK approach, keeping all the elements within a column on a single processor. At first glance, it might appear that (BLOCK,BLOCK) is the better distribution. However, there are two advantages to a (\*,BLOCK) distribution. First, striding down a column is a unit-stride operation and so you might just as well process an entire column. The more significant aspect of the distribution is that a (BLOCK,BLOCK) distribution forces each processor to communicate with up to eight other processors to get its neighboring values. Using the (\*,BLOCK) distribution, each processor will have to exchange data with at most two processors each time step.

When we look at PVM, we will look at this same program implemented in a SPMD-style message-passing fashion. In that example, you will see some of the details that HPF must handle to properly execute this code. After reviewing that code, you will probably choose to implement all of your future heat flow applications in HPF!

#### 4.1.6.7 HPF Summary

In some ways, HPF has been good for FORTRAN 90. Companies such as IBM with its SP-1 needed to provide some high-level language for those users who didn't want to write message-passing codes. Because of this, IBM has invested a great deal of effort in implementing and optimizing HPF. Interestingly, much of this effort will directly benefit the ability to develop more sophisticated FORTRAN 90 compilers. The extensive data flow analysis required to minimize communications and manage the dynamic data structures will carry over into FORTRAN 90 compilers even without using the HPF directives.

Time will tell if the HPF data distribution directives will no longer be needed and compilers will be capable of performing sufficient analysis of straight FORTRAN 90 code to optimize data placement and movement.

In its current form, HPF is an excellent vehicle for expressing the highly data-parallel, grid-based applications. Its weaknesses are irregular communications and dynamic load balancing. A new effort to develop the next version of HPF is under- way to address some of these issues. Unfortunately, it is more difficult to solve these runtime problems while maintaining good performance across a wide range of architectures.

#### 4.1.7 Closing Notes<sup>14</sup>

In this chapter, we have covered some of the efforts in the area of languages that have been developed to allow programs to be written for scalable computing. There is a tension between pure FORTRAN-77, FORTRAN 90, HPF, and message passing as to which will be the ultimate tools for scalable, high performance computing.

Certainly, there have been examples of great successes for both FORTRAN 90 (Thinking Machines CM-5) and HPF (IBM SP and others) as languages that can make excellent use of scalable computing systems. One of the problems of a high-level language approach is that sometimes using an abstract high-level language actually *reduces* effective portability.

The languages are designed to be portable, but if the vendor of your particular scalable computer doesn't support the language variant in which you have chosen to write your application, then it isn't portable. Even if the vendor has your language available, it may not be tuned to generate the best code for their architecture.

One solution is to purchase your compilers from a third-party company such as Pacific Sierra or Kuck and Associates. These vendors sell one compiler that runs across a wide range of systems. For users who can afford these options, these compilers afford a higher level of portability.

One of the fundamental issues is the chicken-and-egg problem. If users don't use a language, vendors won't improve the language. If all the influential users (with all the money) use message passing, then the existence of an excellent HPF compiler is of no real value to those users.

The good news is that both FORTRAN 90 and HPF provide one road map to portable scalable computing that doesn't require explicit message passing. The only question is which road we users will choose.

---

<sup>14</sup>This content is available online at <<http://cnx.org/content/m33775/1.3/>>.

## 4.2 Message-Passing Environments

### 4.2.1 Introduction<sup>15</sup>

A message-passing interface is a set of function and subroutine calls for C or FORTRAN that give you a way to split an application for parallel execution. Data is divided and passed out to other processors as messages. The receiving processors unpack them, do some work, and send the results back or pass them along to other processors in the parallel computer.

In some ways, message passing is the “assembly language” of parallel processing. You get ultimate responsibility, and if you are talented (and your problem cooperates), you get ultimate performance. If you have a nice scalable problem and are not satisfied with the resulting performance, you pretty much have yourself to blame. The compiler is completely unaware of the parallel aspects of the program.

The two most popular message-passing environments are *parallel virtual machine* (PVM) and *message-passing interface* (MPI). Most of the important features are available in either environment. Once you have mastered message passing, moving from PVM to MPI won’t cause you much trouble. You may also operate on a system that provides only a vendor-specific message-passing interface. However, once you understand message passing concepts and have properly decomposed your application, usually it’s not that much more effort to move from one message-passing library to another.<sup>16</sup>

### 4.2.2 Parallel Virtual Machine<sup>17</sup>

The idea behind PVM is to assemble a diverse set of network-connected resources into a “virtual machine.” A user could marshal the resources of 35 idle workstations on the Internet and have their own personal scalable processing system. The work on PVM started in the early 1990s at Oak Ridge National Labs. PVM was pretty much an instant success among computer scientists. It provided a rough framework in which to experiment with using a network of workstations as a parallel processor.

In PVM Version 3, your virtual machine can consist of single processors, shared-memory multiprocessors, and scalable multiprocessors. PVM attempts to knit all of these resources into a single, consistent, execution environment.

To run PVM, you simply need a login account on a set of network computers that have the PVM software installed. You can even install it in your home directory. To create your own personal virtual machine, you would create a list of these computers in a file:

```
% cat hostfile
frodo.egr.msu.edu
gollum.egr.msu.edu
mordor.egr.msu.edu
%
```

After some nontrivial machinations with paths and environment variables, you can start the PVM console:

```
% pvm hostfile
pvmd already running.
```

---

<sup>15</sup>This content is available online at <<http://cnx.org/content/m33781/1.3/>>.

<sup>16</sup>Notice I said “not that much more effort.”

<sup>17</sup>This content is available online at <<http://cnx.org/content/m33779/1.3/>>.

```

pvm> conf
1 host, 1 data format
      HOST      DTID      ARCH      SPEED
frodo    40000  SUN4SOL2    1000
gollum   40001  SUN4SOL2    1000
mordor   40002  SUN4SOL2    1000

pvm> ps
      HOST      TID      FLAG 0x COMMAND
frodo    40042      6/c,f pvmgs

pvm> reset
pvm> ps
      HOST      TID      FLAG 0x COMMAND

pvm>

```

Many different users can be running virtual machines using the same pool of resources. Each user has their own view of an empty machine. The only way you might detect other virtual machines using your resources is in the percentage of the time your applications get the CPU.

There is a wide range of commands you can issue at the PVM console. The `ps` command shows the running processes in your virtual machine. It's quite possible to have more processes than computer systems. Each process is time-shared on a system along with all the other load on the system. The `reset` command performs a soft reboot on your virtual machine. You are the virtual system administrator of the virtual machine you have assembled.

To execute programs on your virtual computer, you must compile and link your programs with the PVM library routines:<sup>18</sup>

```

% aimk mast slav
making in SUN4SOL2/ for SUN4SOL2
cc -O -I/opt/pvm3/include -DSYSVBFUNC -DSYSVSTR -DNOGETDTBLSIZ
    -DSYSVSIGNAL -DNOWAIT3 -DNOUNIXDOM -o mast
    ../mast.c -L/opt/pvm3/lib/SUN4SOL2 -lpvm3 -lnsl -lsocket
mv mast ~crs/pvm3/bin/SUN4SOL2
cc -O -I/opt/pvm3/include -DSYSVBFUNC -DSYSVSTR -DNOGETDTBLSIZ
    -DSYSVSIGNAL -DNOWAIT3 -DNOUNIXDOM -o slav
    ../slav.c -L/opt/pvm3/lib/SUN4SOL2 -lpvm3 -lnsl -lsocket
mv slav ~crs/pvm3/bin/SUN4SOL2
%

```

When the first PVM call is encountered, the application contacts your virtual machine and enrolls itself in the virtual machine. At that point it should show up in the output of the `ps` command issued at the PVM console.

From that point on, your application issues PVM calls to create more processes and interact with those processes. PVM takes the responsibility for distributing the processes on the different systems in the virtual machine, based on the load and your assessment of each system's relative performance. Messages are moved across the network using *user datagram protocol* (UDP) and delivered to the appropriate process.

Typically, the PVM application starts up some additional PVM processes. These can be additional copies of the same program or each PVM process can run a different PVM application. Then the work is distributed among the processes, and results are gathered as necessary.

<sup>18</sup>Note: the exact compilation may be different on your system.

There are several basic models of computing that are typically used when working with PVM:

**Master/Slave:** : When operating in this mode, one process (usually the initial process) is designated as the master that spawns some number of worker processes. Work units are sent to each worker process, and the results are returned to the master. Often the master maintains a queue of work to be done and as a slave finishes, the master delivers a new work item to the slave. This approach works well when there is little data interaction and each work unit is independent. This approach has the advantage that the overall problem is naturally load-balanced even when there is some variation in the execution time of individual processes.

**Broadcast/Gather:** : This type of application is typically characterized by the fact that the shared data structure is relatively small and can be easily copied into every processor's node. At the beginning of the time step, all the global data structures are broadcast from the master process to all of the processes. Each process then operates on their portion of the data. Each process produces a partial result that is sent back and gathered by the master process. This pattern is repeated for each time step.

**SPMD/Data decomposition:** : When the overall data structure is too large to have a copy stored in every process, it must be decomposed across multiple processes. Generally, at the beginning of a time step, all processes must exchange some data with each of their neighboring processes. Then with their local data augmented by the necessary subset of the remote data, they perform their computations. At the end of the time step, necessary data is again exchanged between neighboring processes, and the process is restarted.

The most complicated applications have nonuniform data flows and data that migrates around the system as the application changes and the load changes on the system.

In this section, we have two example programs: one is a master-slave operation, and the other is a data decomposition-style solution to the heat flow problem.

#### 4.2.2.1 Queue of Tasks

In this example, one process (`mast`) creates five slave processes (`slav`) and doles out 20 work units (add one to a number). As a slave process responds, it's given new work or told that all of the work units have been exhausted:

```
% cat mast.c
#include <stdio.h>
#include "pvm3.h"

#define MAXPROC 5
#define JOBS 20

main()
{
    int mytid,info;
    int tids[MAXPROC];
    int tid,input,output,answers,work;

    mytid = pvm_mytid();
    info=pvm_spawn("slav", (char**)0, 0, "", MAXPROC, tids);

    /* Send out the first work */
```

```

for(work=0;work<MAXPROC;work++) {
    pvm_initsend(PvmDataDefault);
    pvm_pkint(&work, 1, 1 ) ;
    pvm_send(tids[work],1) ;/* 1 = msgtype */
}

/* Send out the rest of the work requests */
work = MAXPROC;
for(answers=0; answers < JOBS ; answers++) {
    pvm_recv( -1, 2 ); /* -1 = any task 2 = msgtype */
    pvm_upkint( &tid, 1, 1 );
    pvm_upkint( &input, 1, 1 );
    pvm_upkint( &output, 1, 1 );
    printf("Thanks to %d 2*d=%d\n",tid,input,output);
    pvm_initsend(PvmDataDefault);
    if ( work < JOBS ) {
        pvm_pkint(&work, 1, 1 ) ;
        work++;
    } else {
        input = -1;
        pvm_pkint(&input, 1, 1 ) ; /* Tell them to stop */
    }
    pvm_send(tid,1) ;
}

pvm_exit();
}
%
```

One of the interesting aspects of the PVM interface is the separation of calls to prepare a new message, pack data into the message, and send the message. This is done for several reasons. PVM has the capability to convert between different floating-point formats, byte orderings, and character formats. This also allows a single message to have multiple data items with different types.

The purpose of the message type in each PVM send or receive is to allow the sender to wait for a particular type of message. In this example, we use two message types. Type one is a message from the master to the slave, and type two is the response.

When performing a receive, a process can either wait for a message from a specific process or a message from any process.

In the second phase of the computation, the master waits for a response from any slave, prints the response, and then does out another work unit to the slave or tells the slave to terminate by sending a message with a value of -1.

The slave code is quite simple — it waits for a message, unpacks it, checks to see if it is a termination message, returns a response, and repeats:

```

% cat slav.c
#include <stdio.h>
#include "pvm3.h"
```

```

/* A simple program to double integers */
main()
{
    int mytid;
    int input,output;
    mytid = pvm_mytid();

    while(1) {
        pvm_recv( -1, 1 ); /* -1 = any task 1=msgtype */
        pvm_upkint(&input, 1, 1);
        if ( input == -1 ) break; /* All done */

        output = input * 2;
        pvm_initsend( PvmDataDefault );
        pvm_pkint( &mytid, 1, 1 );
        pvm_pkint( &input, 1, 1 );
        pvm_pkint( &output, 1, 1 );
        pvm_send( pvm_parent(), 2 );
    }
    pvm_exit();
}
%
```

When the master program is executed, it produces the following output:

```

% pheat
Thanks to 262204 2*0=0
Thanks to 262205 2*1=2
Thanks to 262206 2*2=4
Thanks to 262207 2*3=6
Thanks to 262204 2*5=10
Thanks to 262205 2*6=12
Thanks to 262206 2*7=14
Thanks to 262207 2*8=16
Thanks to 262204 2*9=18
Thanks to 262205 2*10=20
Thanks to 262206 2*11=22
Thanks to 262207 2*12=24
Thanks to 262205 2*14=28
Thanks to 262207 2*16=32
Thanks to 262205 2*17=34
Thanks to 262207 2*18=36
Thanks to 262204 2*13=26
Thanks to 262205 2*19=38
Thanks to 262206 2*15=30
Thanks to 262208 2*4=8
%
```

Clearly the processes are operating in parallel, and the order of execution is somewhat random. This code is an excellent skeleton for handling a wide range of computations. In the next example, we perform an SPMD-style computation to solve the heat flow problem using PVM.

#### 4.2.2.2 Heat Flow in PVM

This next example is a rather complicated application that implements the heat flow problem in PVM. In many ways, it gives some insight into the work that is performed by the HPF environment. We will solve a heat flow in a two-dimensional plate with four heat sources and the edges in zero-degree water, as shown in Figure 4.7 (A two-dimensional plate with four constant heat sources).

---

A two-dimensional plate with four constant heat sources



Figure 4.7

---

The data will be spread across all of the processes using a (\*, BLOCK) distribution. Columns are distributed to processes in contiguous blocks, and all the row elements in a column are stored on the same process. As with HPF, the process that “owns” a data cell performs the computations for that cell after retrieving any data necessary to perform the computation.

We use a red-black approach but for simplicity, we copy the data back at the end of each iteration. For a true red-black, you would perform the computation in the opposite direction every other time step.

Note that instead of spawning slave process, the parent process spawns additional copies of itself. This is typical of SPMD-style programs. Once the additional processes have been spawned, all the processes wait at a barrier before they look for the process numbers of the members of the group. Once the processes have arrived at the barrier, they all retrieve a list of the different process numbers:

```
% cat pheat.f
PROGRAM PHEAT
INCLUDE '../include/fpvm3.h'
INTEGER NPROC,ROWS,COLS,TOTCOLS,OFFSET
PARAMETER(NPROC=4,MAXTIME=200)
PARAMETER(ROWS=200,TOTCOLS=200)
PARAMETER(COLS=(TOTCOLS/NPROC)+3)
REAL*8 RED(0:ROWS+1,0:COLS+1), BLACK(0:ROWS+1,0:COLS+1)
LOGICAL IAMFIRST,IAMLAST
INTEGER INUM,INFO,TIDS(0:NPROC-1),IERR
```



```

INTEGER I,R,C
INTEGER TICK,MAXTIME
CHARACTER*30 FNAME

*   Get the SPMD thing going - Join the pheat group
CALL PVMFJOINGROUP('pheat', INUM)

* If we are the first in the pheat group, make some helpers
IF ( INUM.EQ.0 ) THEN
  DO I=1,NPROC-1
    CALL PVMFSPAWN('pheat', 0, 'anywhere', 1, TIDS(I), IERR)
  ENDDO
ENDIF

*   Barrier to make sure we are all here so we can look them up
CALL PVMFBARRIER( 'pheat', NPROC, INFO )

* Find my pals and get their TIDs - TIDS are necessary for sending
DO I=0,NPROC-1
  CALL PVMFGETTID('pheat', I, TIDS(I))
ENDDO

```

At this point in the code, we have `NPROC` processes executing in an SPMD mode. The next step is to determine which subset of the array each process will compute. This is driven by the `INUM` variable, which ranges from 0 to 3 and uniquely identifies these processes.

We decompose the data and store only one quarter of the data on each process. Using the `INUM` variable, we choose our continuous set of columns to store and compute. The `OFFSET` variable maps between a “global” column in the entire array and a local column in our local subset of the array. Figure 4.8 (Assigning grid elements to processors) shows a map that indicates which processors store which data elements. The values marked with a B are boundary values and won’t change during the simulation. They are all set to 0. This code is often rather tricky to figure out. Performing a (BLOCK, BLOCK) distribution requires a two-dimensional decomposition and exchanging data with the neighbors above and below, in addition to the neighbors to the left and right:

## Assigning grid elements to processors

	0	1	...	50	51	...	100	101	...	150	151	...	200	201
0	B	B	B	...	B	B	B	...	B	B	B	...	B	B
1	B	0	0	...	0	0	1	1	...	1	1	...	2	2
	B	0	0	...	0	0	1	1	...	1	1	...	2	2
...	B	0	0	...	0	0	1	1	...	1	1	...	2	2
	B	0	0	...	0	0	1	1	...	1	1	...	2	2
200	B	0	0	...	0	0	1	1	...	1	1	...	2	2
201	B	B	B	...	B	B	B	...	B	B	B	...	B	B

Figure 4.8

```

* Compute my geometry - What subset do I process? (INUM=0 values)
* Actual Column = OFFSET + Column (OFFSET = 0)
*   Column 0 = neighbors from left
*   Column 1 = send to left
*   Columns 1..mylen My cells to compute
*   Column mylen = Send to right (mylen=50)
*   Column mylen+1 = Neighbors from Right (Column 51)

IAMFIRST = (INUM .EQ. 0)
IAMLAST = (INUM .EQ. NPROC-1)
OFFSET = (ROWS/NPROC * INUM )
MYLEN = ROWS/NPROC
IF ( IAMLAST ) MYLEN = TOTCOLS - OFFSET
PRINT *, 'INUM:', INUM, ' Local', 1, MYLEN,
+       ' Global', OFFSET+1, OFFSET+MYLEN

* Start Cold
DO C=0, COLS+1
DO R=0, ROWS+1
BLACK(R,C) = 0.0
ENDDO
ENDDO

```

Now we run the time steps. The first act in each time step is to reset the heat sources. In this simulation, we have four heat sources placed near the middle of the plate. We must restore all the values each time through the simulation as they are modified in the main loop:

```

* Begin running the time steps
  DO TICK=1,MAXTIME

* Set the heat persistent sources
  CALL STORE(BLACK,ROWS,COLS,OFFSET,MYLEN,
+   ROWS/3,TOTCOLS/3,10.0,INUM)
  CALL STORE(BLACK,ROWS,COLS,OFFSET,MYLEN,
+   2*ROWS/3,TOTCOLS/3,20.0,INUM)
  CALL STORE(BLACK,ROWS,COLS,OFFSET,MYLEN,
+   ROWS/3,2*TOTCOLS/3,-20.0,INUM)
  CALL STORE(BLACK,ROWS,COLS,OFFSET,MYLEN,
+   2*ROWS/3,2*TOTCOLS/3,20.0,INUM)

```

Now we perform the exchange of the “ghost values” with our neighboring processes. For example, Process 0 contains the elements for global column 50. To compute the next time step values for column 50, we need column 51, which is stored in Process 1. Similarly, before Process 1 can compute the new values for column 51, it needs Process 0’s values for column 50.

Figure 4.9 (Pattern of communication for ghost values) shows how the data is transferred between processors. Each process sends its leftmost column to the left and its rightmost column to the right. Because the first and last processes border unchanging boundary values on the left and right respectively, this is not necessary for columns one and 200. If all is done properly, each process can receive its ghost values from their left and right neighbors.

## Pattern of communication for ghost values

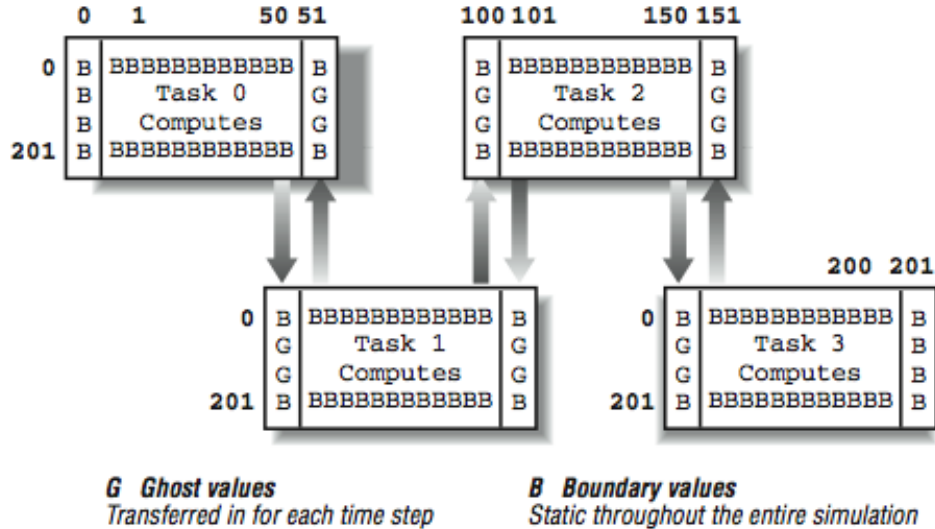


Figure 4.9

The net result of all of the transfers is that for each space that must be computed, it's surrounded by one layer of either boundary values or ghost values from the right or left neighbors:

```

* Send left and right
  IF ( .NOT. IAMFIRST ) THEN
    CALL PVMFINITSEND(PVMDEFAULT,TRUE)
    CALL PVMFPACK( REAL8, BLACK(1,1), ROWS, 1, INFO )
    CALL PVMFSEND( TIDS(INUM-1), 1, INFO )
  ENDIF
  IF ( .NOT. IAMLAST ) THEN
    CALL PVMFINITSEND(PVMDEFAULT,TRUE)
    CALL PVMFPACK( REAL8, BLACK(1,MYLEN), ROWS, 1, INFO )
    CALL PVMFSEND( TIDS(INUM+1), 2, INFO )
  ENDIF
* Receive right, then left
  IF ( .NOT. IAMLAST ) THEN
    CALL PVMFRCV( TIDS(INUM+1), 1, BUFID )
    CALL PVMFUNPACK ( REAL8, BLACK(1,MYLEN+1), ROWS, 1, INFO )
  ENDIF
  IF ( .NOT. IAMFIRST ) THEN
    CALL PVMFRCV( TIDS(INUM-1), 2, BUFID )
    CALL PVMFUNPACK ( REAL8, BLACK(1,0), ROWS, 1, INFO)

```

```
ENDIF
```

This next segment is the easy part. All the appropriate ghost values are in place, so we must simply perform the computation in our subspace. At the end, we copy back from the RED to the BLACK array; in a real simulation, we would perform two time steps, one from BLACK to RED and the other from RED to BLACK, to save this extra copy:

```
* Perform the flow
  DO C=1,MYLEN
    DO R=1,ROWS
      RED(R,C) = ( BLACK(R,C) +
+                BLACK(R,C-1) + BLACK(R-1,C) +
+                BLACK(R+1,C) + BLACK(R,C+1) ) / 5.0
    ENDDO
  ENDDO

* Copy back - Normally we would do a red and black version of the loop
  DO C=1,MYLEN
    DO R=1,ROWS
      BLACK(R,C) = RED(R,C)
    ENDDO
  ENDDO
ENDDO
```

Now we find the center cell and send to the master process (if necessary) so it can be printed out. We also dump out the data into files for debugging or later visualization of the results. Each file is made unique by appending the instance number to the filename. Then the program terminates:

```
CALL SENDCELL(RED,ROWS,COLS,OFFSET,MYLEN,INUM,TIDS(0),
+            ROWS/2,TOTCOLS/2)

* Dump out data for verification
IF ( ROWS .LE. 20 ) THEN
  FNAME = '/tmp/pheatout.' // CHAR(ICHAR('0')+INUM)
  OPEN(UNIT=9,NAME=FNAME,FORM='formatted')
  DO C=1,MYLEN
    WRITE(9,100)(BLACK(R,C),R=1,ROWS)
100    FORMAT(20F12.6)
  ENDDO
  CLOSE(UNIT=9)
ENDIF

* Lets all go together
CALL PVMFBARRIER( 'pheat', NPROC, INFO )
CALL PVMFEXIT( INFO )
```

END

The `SENDCELL` routine finds a particular cell and prints it out on the master process. This routine is called in an SPMD style: all the processes enter this routine although all not at precisely the same time. Depending on the `INUM` and the cell that we are looking for, each process may do something different.

If the cell in question is in the master process, and we are the master process, print it out. All other processes do nothing. If the cell in question is stored in another process, the process with the cell sends it to the master processes. The master process receives the value and prints it out. All the other processes do nothing.

This is a simple example of the typical style of SPMD code. All the processes execute the code at roughly the same time, but, based on information local to each process, the actions performed by different processes may be quite different:

```

SUBROUTINE SENDCELL(RED,ROWS,COLS,OFFSET,MYLEN,INUM,PTID,R,C)
  INCLUDE '../include/fpvm3.h'
  INTEGER ROWS,COLS,OFFSET,MYLEN,INUM,PTID,R,C
  REAL*8 RED(0:ROWS+1,0:COLS+1)
  REAL*8 CENTER

  * Compute local row number to determine if it is ours
  I = C - OFFSET
  IF ( I .GE. 1 .AND. I.LE. MYLEN ) THEN
    IF ( INUM .EQ. 0 ) THEN
      PRINT *, 'Master has', RED(R,I), R, C, I
    ELSE
      CALL PVMFINITSEND(PVMDEFAULT,TRUE)
      CALL PVMFPACK( REAL8, RED(R,I), 1, 1, INFO )
      PRINT *, 'INUM:',INUM,' Returning',R,C,RED(R,I),I
      CALL PVMFSEND( PTID, 3, INFO )
    ENDIF
  ELSE
    IF ( INUM .EQ. 0 ) THEN
      CALL PVMFRCV( -1 , 3, BUFID )
      CALL PVMFUNPACK ( REAL8, CENTER, 1, 1, INFO)
      PRINT *, 'Master Received',R,C,CENTER
    ENDIF
  ENDIF
RETURN
END

```

Like the previous routine, the `STORE` routine is executed on all processes. The idea is to store a value into a *global* row and column position. First, we must determine if the cell is even in our process. If the cell is in our process, we must compute the local column (`I`) in our subset of the overall matrix and then store the value:

```

SUBROUTINE STORE(RED,ROWS,COLS,OFFSET,MYLEN,R,C,VALUE,INUM)
REAL*8 RED(0:ROWS+1,0:COLS+1)
REAL VALUE
INTEGER ROWS,COLS,OFFSET,MYLEN,R,C,I,INUM
I = C - OFFSET
IF ( I .LT. 1 .OR. I .GT. MYLEN ) RETURN
RED(R,I) = VALUE
RETURN
END

```

When this program executes, it has the following output:

```

% pheat
  INUM: 0 Local 1 50 Global 1 50
  Master Received 100 100 3.4722390023541D-07
%

```

We see two lines of print. The first line indicates the values that Process 0 used in its geometry computation. The second line is the output from the master process of the temperature at cell (100,100) after 200 time steps.

One interesting technique that is useful for debugging this type of program is to change the number of processes that are created. If the program is not quite moving its data properly, you usually get different results when different numbers of processes are used. If you look closely, the above code performs correctly with one process or 30 processes.

Notice that there is no barrier operation at the end of each time step. This is in contrast to the way parallel loops operate on shared uniform memory multiprocessors that force a barrier at the end of each loop. Because we have used an “owner computes” rule, and nothing is computed until all the required ghost data is received, there is no need for a barrier. The receipt of the messages with the proper ghost values allows a process to begin computing immediately without regard to what the other processes are currently doing.

This example can be used either as a framework for developing other grid-based computations, or as a good excuse to use HPF and appreciate the hard work that the HPF compiler developers have done. A well-done HPF implementation of this simulation should outperform the PVM implementation because HPF can make tighter optimizations. Unlike us, the HPF compiler doesn’t have to keep its generated code readable.

#### 4.2.2.3 PVM Summary

PVM is a widely used tool because it affords portability across every architecture other than SIMD. Once the effort has been invested in making a code message passing, it tends to run well on many architectures.

The primary complaints about PVM include:

- The need for a pack step separate from the send step
- The fact that it is designed to work in a heterogeneous environment that may incur some overhead
- It doesn’t automate common tasks such as geometry computations

But all in all, for a certain set of programmers, PVM is the tool to use. If you would like to learn more about PVM see *PVM — A User’s Guide and Tutorial for Networked Parallel Computing*, by Al Geist, Adam Beguelin, Jack Dongarra, Weicheng Jiang, Robert Manchek, and Vaidy Sunderam (MIT Press). Information is also available at [www.netlib.org/pvm3/](http://www.netlib.org/pvm3/)<sup>19</sup>.

<sup>19</sup><http://cnx.org/content/m33779/latest/www.netlib.org/pvm3/>

### 4.2.3 Message-Passing Interface<sup>20</sup>

The Message-Passing Interface (MPI) was designed to be an industrial-strength message-passing environment that is portable across a wide range of hardware environments.

Much like High Performance FORTRAN, MPI was developed by a group of computer vendors, application developers, and computer scientists. The idea was to come up with a specification that would take the strengths of many of the existing proprietary message passing environments on a wide variety of architectures and come up with a specification that could be implemented on architectures ranging from SIMD systems with thousands of small processors to MIMD networks of workstations and everything in between.

Interestingly, the MPI effort was completed a year *after* the High Performance FORTRAN (HPF) effort was completed. Some viewed MPI as a portable message-passing interface that could support a good HPF compiler. Having MPI makes the compiler more portable. Also having the compiler use MPI as its message-passing environment insures that MPI is heavily tested and that sufficient resources are invested into the MPI implementation.

#### 4.2.3.1 PVM Versus MPI

While many of the folks involved in PVM participated in the MPI effort, MPI is not simply a follow-on to PVM. PVM was developed in a university/research lab environment and evolved over time as new features were needed. For example, the group capability was not designed into PVM at a fundamental level. Some of the underlying assumptions of PVM were based “on a network of workstations connected via Ethernet” model and didn’t export well to scalable computers.<sup>21</sup> In some ways, MPI is more robust than PVM, and in other ways, MPI is simpler than PVM. MPI doesn’t specify the system management details as in PVM; MPI doesn’t specify how a virtual machine is to be created, operated, and used.

#### 4.2.3.2 MPI Features

MPI has a number of useful features beyond the basic send and receive capabilities. These include:

**Communicators:** : A communicator is a subset of the active processes that can be treated as a group for collective operations such as broadcast, reduction, barriers, sending, or receiving. Within each communicator, a process has a *rank* that ranges from zero to the size of the group. A process may be a member of more than one communicator and have a different rank within each communicator. There is a default communicator that refers to all the MPI processes that is called `MPI_COMM_WORLD`.

**Topologies:** : A communicator can have a topology associated with it. This arranges the processes that belong to a communicator into some layout. The most common layout is a Cartesian decomposition. For example, 12 processes may be arranged into a 3×4 grid.<sup>22</sup> Once these topologies are defined, they can be queried to find the neighboring processes in the topology. In addition to the Cartesian (grid) topology, MPI also supports a graph-based topology.

**Communication modes:** : MPI supports multiple styles of communication, including blocking and non-blocking. Users can also choose to use explicit buffers for sending or allow MPI to manage the buffers. The nonblocking capabilities allow the overlap of communication and computation. MPI can support a model in which there is no available memory space for buffers and the data must be copied directly from the address space of the sending process to the memory space of the receiving process. MPI also supports a single call to perform a send and receive that is quite useful when processes need to exchange data.

**Single-call collective operations:** : Some of the calls in MPI automate collective operations in a single call. For example, the broadcast operation sends values from the master to the slaves and receives the values on the slaves in the same operation. The net result is that the values are updated on all

<sup>20</sup>This content is available online at <<http://cnx.org/content/m33783/1.3/>>.

<sup>21</sup>One should not diminish the positive contributions of PVM, however. PVM was the first widely available portable message-passing environment. PVM pioneered the idea of heterogeneous distributed computing with built-in format conversion.

<sup>22</sup>Sounds a little like HPF, no?



processes. Similarly, there is a single call to sum a value across all of the processes to a single value. By bundling all this functionality into a single call, systems that have support for collective operations in hardware can make best use of this hardware. Also, when MPI is operating on a shared-memory environment, the broadcast can be simplified as all the slaves simply make a local copy of a shared variable.

Clearly, the developers of the MPI specification had significant experience with developing message-passing applications and added many widely used features to the message-passing library. Without these features, each programmer needed to use more primitive operations to construct their own versions of the higher-level operations.

#### 4.2.3.3 Heat Flow in MPI

In this example, we implement our heat flow problem in MPI using a similar decomposition to the PVM example. There are several ways to approach the problem. We could almost translate PVM calls to corresponding MPI calls using the `MPI_COMM_WORLD` communicator. However, to showcase some of the MPI features, we create a Cartesian communicator:

```

PROGRAM MHEATC
  INCLUDE 'mpif.h'
  INCLUDE 'mpef.h'
  INTEGER ROWS, COLS, TOTCOLS
  PARAMETER(MAXTIME=200)
  * This simulation can be run on MINPROC or greater processes.
  * It is OK to set MINPROC to 1 for testing purposes
  * For a large number of rows and columns, it is best to set MINPROC
  * to the actual number of runtime processes
  PARAMETER(MINPROC=2) PARAMETER(ROWS=200, TOTCOLS=200, COLS=TOTCOLS/MINPROC)
  DOUBLE PRECISION RED(0:ROWS+1, 0:COLS+1), BLACK(0:ROWS+1, 0:COLS+1)
  INTEGER S, E, MYLEN, R, C
  INTEGER TICK, MAXTIME
  CHARACTER*30 FNAME

```

The basic data structures are much the same as in the PVM example. We allocate a subset of the heat arrays in each process. In this example, the amount of space allocated in each process is set by the compile-time variable `MINPROC`. The simulation can execute on more than `MINPROC` processes (wasting some space in each process), but it can't execute on less than `MINPROC` processes, or there won't be sufficient total space across all of the processes to hold the array:

```

INTEGER COMM1D, INUM, NPROC, IERR
INTEGER DIMS(1), COORDS(1)
LOGICAL PERIODS(1)
LOGICAL REORDER
INTEGER NDIM
INTEGER STATUS(MPI_STATUS_SIZE)
INTEGER RIGHTPROC, LEFTPROC

```

These data structures are used for our interaction with MPI. As we will be doing a one-dimensional Cartesian decomposition, our arrays are dimensioned to one. If you were to do a two-dimensional decomposition, these arrays would need two elements:

```
PRINT *, 'Calling MPI_INIT'
CALL MPI_INIT( IERR )
PRINT *, 'Back from MPI_INIT'
CALL MPI_COMM_SIZE( MPI_COMM_WORLD, NPROC, IERR )
```

The call to `MPI_INIT` creates the appropriate number of processes. Note that in the output, the `PRINT` statement before the call only appears once, but the second `PRINT` appears once for each process. We call `MPI_COMM_SIZE` to determine the size of the global communicator `MPI_COMM_WORLD`. We use this value to set up our Cartesian topology:

```
* Create new communicator that has a Cartesian topology associated
* with it - MPI_CART_CREATE returns COMM1D - A communicator descriptor

      DIMS(1) = NPROC
      PERIODS(1) = .FALSE.
      REORDER = .TRUE.
      NDIM = 1

      CALL MPI_CART_CREATE(MPI_COMM_WORLD, NDIM, DIMS, PERIODS,
+       REORDER, COMM1D, IERR)
```

Now we create a one-dimensional (`NDIM=1`) arrangement of all of our processes (`MPI_COMM_WORLD`). All of the parameters on this call are input values except for `COMM1D` and `IERR`. `COMM1D` is an integer “communicator handle.” If you print it out, it will be a value such as 134. It is not actually data, it is merely a handle that is used in other calls. It is quite similar to a file descriptor or unit number used when performing input-output to and from files.

The topology we use is a one-dimensional decomposition that isn’t periodic. If we specified that we wanted a periodic decomposition, the far-left and far-right processes would be neighbors in a wrapped-around fashion making a ring. Given that it isn’t periodic, the far-left and far-right processes have no neighbors.

In our PVM example above, we declared that Process 0 was the far-right process, Process `NPROC-1` was the far-left process, and the other processes were arranged linearly between those two. If we set `REORDER` to `.FALSE.`, MPI also chooses this arrangement. However, if we set `REORDER` to `.TRUE.`, MPI may choose to arrange the processes in some other fashion to achieve better performance, assuming that you are communicating with close neighbors.

Once the communicator is set up, we use it in all of our communication operations:

```
* Get my rank in the new communicator

      CALL MPI_COMM_RANK( COMM1D, INUM, IERR)
```

Within each communicator, each process has a rank from zero to the size of the communicator minus 1. The `MPI_COMM_RANK` tells each process its rank within the communicator. A process may have a different rank in the `COMM1D` communicator than in the `MPI_COMM_WORLD` communicator because of some reordering.

Given a Cartesian topology communicator,<sup>23</sup> we can extract information from the communicator using the `MPI_CART_GET` routine:

```
* Given a communicator handle COMM1D, get the topology, and my position
* in the topology

CALL MPI_CART_GET(COMM1D, NDIM, DIMS, PERIODS, COORDS, IERR)
```

In this call, all of the parameters are output values rather than input values as in the `MPI_CART_CREATE` call. The `COORDS` variable tells us our coordinates within the communicator. This is not so useful in our one-dimensional example, but in a two-dimensional process decomposition, it would tell our current position in that two-dimensional grid:

```
* Returns the left and right neighbors 1 unit away in the zeroth dimension
* of our Cartesian map - since we are not periodic, our neighbors may
* not always exist - MPI_CART_SHIFT handles this for us

CALL MPI_CART_SHIFT(COMM1D, 0, 1, LEFTPROC, RIGHTPROC, IERR)
CALL MPE_DECOMP1D(TOTCOLS, NPROC, INUM, S, E)
MYLEN = ( E - S ) + 1
IF ( MYLEN.GT.COLS ) THEN
  PRINT *, 'Not enough space, need', MYLEN, ' have ', COLS
  PRINT *, TOTCOLS, NPROC, INUM, S, E
  STOP
ENDIF
PRINT *, INUM, NPROC, COORDS(1), LEFTPROC, RIGHTPROC, S, E
```

We can use `MPI_CART_SHIFT` to determine the rank number of our left and right neighbors, so we can exchange our common points with these neighbors. This is necessary because we can't simply send to `INUM-1` and `INUM+1` if MPI has chosen to reorder our Cartesian decomposition. If we are the far-left or far-right process, the neighbor that doesn't exist is set to `MPI_PROC_NULL`, which indicates that we have no neighbor. Later when we are performing message sending, it checks this value and sends messages only to real processes. By not sending the message to the "null process," MPI has saved us an IF test.

To determine which strip of the global array we store and compute in this process, we call a utility routine called `MPE_DECOMP1D` that simply does several calculations to evenly split our 200 columns among our processes in contiguous strips. In the PVM version, we need to perform this computation by hand.

The `MPE_DECOMP1D` routine is an example of an extended MPI library call (hence the MPE prefix). These extensions include graphics support and logging tools in addition to some general utilities. The MPE library

<sup>23</sup>Remember, each communicator may have a topology associated with it. A topology can be grid, graph, or none. Interestingly, the `MPI_COMM_WORLD` communicator has no topology associated with it.

consists of routines that were useful enough to standardize but not required to be supported by all MPI implementations. You will find the MPE routines supported on most MPI implementations.

Now that we have our communicator group set up, and we know which strip each process will handle, we begin the computation:

```
* Start Cold

DO C=0, COLS+1
  DO R=0, ROWS+1
    BLACK(R,C) = 0.0
  ENDDO
ENDDO
```

As in the PVM example, we set the plate (including boundary values) to zero.

All processes begin the time step loop. Interestingly, like in PVM, there is no need for any synchronization. The messages implicitly synchronize our loops.

The first step is to store the permanent heat sources. We need to use a routine because we must make the store operations relative to our strip of the global array:

```
* Begin running the time steps
DO TICK=1, MAXTIME

* Set the persistent heat sources
CALL STORE(BLACK, ROWS, COLS, S, E, ROWS/3, TOTCOLS/3, 10.0, INUM)
CALL STORE(BLACK, ROWS, COLS, S, E, 2*ROWS/3, TOTCOLS/3, 20.0, INUM)
CALL STORE(BLACK, ROWS, COLS, S, E, ROWS/3, 2*TOTCOLS/3, -20.0, INUM)
CALL STORE(BLACK, ROWS, COLS, S, E, 2*ROWS/3, 2*TOTCOLS/3, 20.0, INUM)
```

All of the processes set these values independently depending on which process has which strip of the overall array.

Now we exchange the data with our neighbors as determined by the Cartesian communicator. Note that we don't need an IF test to determine if we are the far-left or far-right process. If we are at the edge, our neighbor setting is `MPI_PROC_NULL` and the `MPI_SEND` and `MPI_RECV` calls do nothing when given this as a source or destination value, thus saving us an IF test.

Note that we specify the communicator `COMM1D` because the rank values we are using in these calls are relative to that communicator:

```
* Send left and receive right
CALL MPI_SEND(BLACK(1,1), ROWS, MPI_DOUBLE_PRECISION,
+           LEFTPROC, 1, COMM1D, IERR)
CALL MPI_RECV(BLACK(1, MYLEN+1), ROWS, MPI_DOUBLE_PRECISION,
+           RIGHTPROC, 1, COMM1D, STATUS, IERR)
```

```

* Send Right and Receive left in a single statement
  CALL MPI_SENDRREC(
+   BLACK(1,MYLEN),ROWS,COMM1D,RIGHTPROC,2,
+   BLACK(1,0),ROWS,COMM1D,LEFTPROC, 2,
+   MPI_COMM_WORLD, STATUS, IERR)

```

Just to show off, we use both the separate send and receive, and the combined send and receive. When given a choice, it's probably a good idea to use the combined operations to give the runtime environment more flexibility in terms of buffering. One downside to this that occurs on a network of workstations (or any other high-latency interconnect) is that you can't do both send operations first and then do both receive operations to overlap some of the communication delay.

Once we have all of our ghost points from our neighbors, we can perform the algorithm on our subset of the space:

```

* Perform the flow
  DO C=1,MYLEN
    DO R=1,ROWS
      RED(R,C) = ( BLACK(R,C) +
+                BLACK(R,C-1) + BLACK(R-1,C) +
+                BLACK(R+1,C) + BLACK(R,C+1) ) / 5.0
    ENDDO
  ENDDO

* Copy back - Normally we would do a red and black version of the loop
  DO C=1,MYLEN
    DO R=1,ROWS
      BLACK(R,C) = RED(R,C)
    ENDDO
  ENDDO
ENDDO

```

Again, for simplicity, we don't do the complete red-black computation.<sup>24</sup> We have no synchronization at the bottom of the loop because the messages implicitly synchronize the processes at the top of the next loop.

Again, we dump out the data for verification. As in the PVM example, one good test of basic correctness is to make sure you get exactly the same results for varying numbers of processes:

```

* Dump out data for verification
  IF ( ROWS .LE. 20 ) THEN
    FNAME = '/tmp/mheatcout.' // CHAR(ICHAR('0')+INUM)
    OPEN(UNIT=9,NAME=FNAME,FORM='formatted')
    DO C=1,MYLEN
      WRITE(9,100) (BLACK(R,C),R=1,ROWS)

```

---

<sup>24</sup>Note that you could do two time steps (one black-red-black iteration) if you exchanged two ghost columns at the top of the loop.

```

100      FORMAT(20F12.6)
        ENDDO
        CLOSE(UNIT=9)
    ENDIF

```

To terminate the program, we call `MPI_FINALIZE`:

```

* Lets all go together
  CALL MPI_FINALIZE(IERR)
  END

```

As in the PVM example, we need a routine to store a value into the proper strip of the global array. This routine simply checks to see if a particular global element is in this process and if so, computes the proper location within its strip for the value. If the global element is not in this process, this routine simply returns doing nothing:

```

SUBROUTINE STORE(RED,ROWS,COLS,S,E,R,C,VALUE,INUM)
REAL*8 RED(0:ROWS+1,0:COLS+1)
REAL VALUE
INTEGER ROWS,COLS,S,E,R,C,I,INUM
IF ( C .LT. S .OR. C .GT. E ) RETURN
I = ( C - S ) + 1
* PRINT *, 'STORE, INUM,R,C,S,E,R,I', INUM,R,C,S,E,R,I, VALUE RED(R,I) = VALUE
RETURN
END

```

When this program is executed, it has the following output:

```

% mpif77 -c mheatc.f mheatc.f:
MAIN mheatc:
store:
% mpif77 -o mheatc mheatc.o -lmpe
% mheatc -np 4
Calling MPI_INIT
Back from MPI_INIT
Back from MPI_INIT
Back from MPI_INIT
Back from MPI_INIT
0 4 0 -1 1 1 50
2 4 2 1 3 101 150
3 4 3 2 -1 151 200
1 4 1 0 2 51 100

```

%

As you can see, we call `MPI_INIT` to activate the four processes. The `PRINT` statement immediately after the `MPI_INIT` call appears four times, once for each of the activated processes. Then each process prints out the strip of the array it will process. We can also see the neighbors of each process including -1 when a process has no neighbor to the left or right. Notice that Process 0 has no left neighbor, and Process 3 has no right neighbor. MPI has provided us the utilities to simplify message-passing code that we need to add to implement this type of grid-based application.

When you compare this example with a PVM implementation of the same problem, you can see some of the contrasts between the two approaches. Programmers who wrote the same six lines of code over and over in PVM combined them into a single call in MPI. In MPI, you can think “data parallel” and express your program in a more data-parallel fashion.

In some ways, MPI feels less like assembly language than PVM. However, MPI does take a little getting used to when compared to PVM. The concept of a Cartesian communicator may seem foreign at first, but with understanding, it becomes a flexible and powerful tool.

#### 4.2.3.4 Heat in MPI Using Broadcast/Gather

One style of parallel programming that we have not yet seen is the *broadcast/gather* style. Not all applications can be naturally solved using this style of programming. However, if an application can use this approach effectively, the amount of modification that is required to make a code run in a message-passing environment is minimal.

Applications that most benefit from this approach generally do a lot of computation using some small amount of shared information. One requirement is that one complete copy of the “shared” information must fit in each of the processes.

If we keep our grid size small enough, we can actually program our heat flow application using this approach. This is almost certainly a less efficient implementation than any of the earlier implementations of this problem because the core computation is so simple. However, if the core computations were more complex and needed access to values farther than one unit away, this might be a good approach.

The data structures are simpler for this approach and, actually, are no different than the single-process FORTRAN 90 or HPF versions. We will allocate a complete `RED` and `BLACK` array in every process:

```
PROGRAM MHEAT
  INCLUDE 'mpif.h'
  INCLUDE 'mpef.h'
  INTEGER ROWS, COLS
  PARAMETER(MAXTIME=200)
  PARAMETER(ROWS=200, COLS=200)
  DOUBLE PRECISION RED(0:ROWS+1, 0:COLS+1), BLACK(0:ROWS+1, 0:COLS+1)
```

We need fewer variables for the MPI calls because we aren't creating a communicator. We simply use the default communicator `MPI_COMM_WORLD`. We start up our processes, and find the size and rank of our process group:

```
INTEGER INUM, NPROC, IERR, SRC, DEST, TAG
```

```

INTEGER S,E,LS,LE,MYLEN
INTEGER STATUS(MPI_STATUS_SIZE)
INTEGER I,R,C
INTEGER TICK,MAXTIME
CHARACTER*30 FNAME

PRINT *, 'Calling MPI_INIT'
CALL MPI_INIT( IERR )
CALL MPI_COMM_SIZE( MPI_COMM_WORLD, NPROC, IERR )
CALL MPI_COMM_RANK( MPI_COMM_WORLD, INUM, IERR)
CALL MPE_DECOMP1D(COLS, NPROC, INUM, S, E, IERR)
PRINT *, 'My Share ', INUM, NPROC, S, E

```

Since we are broadcasting initial values to all of the processes, we only have to set things up on the master process:

```

* Start Cold

      IF ( INUM.EQ.0 ) THEN
        DO C=0,COLS+1
          DO R=0,ROWS+1
            BLACK(R,C) = 0.0
          ENDDO
        ENDDO
      ENDIF

```

As we run the time steps (again with no synchronization), we set the persistent heat sources directly. Since the shape of the data structure is the same in the master and all other processes, we can use the real array coordinates rather than mapping them as with the previous examples. We could skip the persistent settings on the nonmaster processes, but it doesn't hurt to do it on all processes:

```

* Begin running the time steps
      DO TICK=1,MAXTIME

* Set the heat sources
      BLACK(ROWS/3, COLS/3)= 10.0
      BLACK(2*ROWS/3, COLS/3) = 20.0
      BLACK(ROWS/3, 2*COLS/3) = -20.0
      BLACK(2*ROWS/3, 2*COLS/3) = 20.0

```

Now we broadcast the entire array from process rank zero to all of the other processes in the `MPI_COMM_WORLD` communicator. Note that this call does the sending on rank zero process and receiving on the other processes. The net result of this call is that all the processes have the values formerly in the master process in a single call:



```

* Broadcast the array
  CALL MPI_BCAST(BLACK, (ROWS+2)*(COLS+2), MPI_DOUBLE_PRECISION,
+               0, MPI_COMM_WORLD, IERR)

```

Now we perform the subset computation on each process. Note that we are using global coordinates because the array has the same shape on each of the processes. All we need to do is make sure we set up our particular strip of columns according to S and E:

```

* Perform the flow on our subset

  DO C=S,E
    DO R=1,ROWS
      RED(R,C) = ( BLACK(R,C) +
+                BLACK(R,C-1) + BLACK(R-1,C) +
+                BLACK(R+1,C) + BLACK(R,C+1) ) / 5.0
    ENDDO
  ENDDO

```

Now we need to gather the appropriate strips from the processes into the appropriate strip in the master array for rebroadcast in the next time step. We could change the loop in the master to receive the messages in any order and check the STATUS variable to see which strip it received:

```

* Gather back up into the BLACK array in master (INUM = 0)
  IF ( INUM .EQ. 0 ) THEN
    DO C=S,E
      DO R=1,ROWS
        BLACK(R,C) = RED(R,C)
      ENDDO
    ENDDO
    DO I=1,NPROC-1
      CALL MPE_DECOMP1D(COLS, NPROC, I, LS, LE, IERR)
      MYLEN = ( LE - LS ) + 1
      SRC = I TAG = 0
      CALL MPI_RECV(BLACK(0,LS), MYLEN*(ROWS+2),
+                 MPI_DOUBLE_PRECISION, SRC, TAG,
+                 MPI_COMM_WORLD, STATUS, IERR)
    *   Print *, 'Recv', I, MYLEN
    ENDDO
  ELSE
    MYLEN = ( E - S ) + 1
    DEST = 0
    TAG = 0

```

```

    CALL MPI_SEND(RED(0,S),MYLEN*(ROWS+2),MPI_DOUBLE_PRECISION,
+               DEST, TAG, MPI_COMM_WORLD, IERR)
    Print *,'Send',INUM,MYLEN
  ENDIF
ENDDO

```

We use `MPE_DECOMP1D` to determine which strip we're receiving from each process.

In some applications, the value that must be gathered is a sum or another single value. To accomplish this, you can use one of the MPI reduction routines that coalesce a set of distributed values into a single value using a single call.

Again at the end, we dump out the data for testing. However, since it has all been gathered back onto the master process, we only need to dump it on one process:

```

* Dump out data for verification
  IF ( INUM .EQ.0 .AND. ROWS .LE. 20 ) THEN
    FNAME = '/tmp/mheatout'
    OPEN(UNIT=9,NAME=FNAME,FORM='formatted')
    DO C=1,COLS
      WRITE(9,100)(BLACK(R,C),R=1,ROWS)
100    FORMAT(20F12.6)
    ENDDO
    CLOSE(UNIT=9)
  ENDIF

  CALL MPI_FINALIZE(IERR)
END

```

When this program executes with four processes, it produces the following output:

```

% mpif77 -c mheat.f
mheat.f:
MAIN mheat:
% mpif77 -o mheat mheat.o -lmpe
% mheat -np 4
Calling MPI_INIT
My Share 1 4 51 100
My Share 0 4 1 50
My Share 3 4 151 200
My Share 2 4 101 150
%

```

The ranks of the processes and the subsets of the computations for each process are shown in the output.

So that is a somewhat contrived example of the broadcast/gather approach to parallelizing an application. If the data structures are the right size and the amount of computation relative to communication is appropriate, this can be a very effective approach that may require the smallest number of code modifications compared to a single-processor version of the code.

#### 4.2.3.5 MPI Summary

Whether you chose PVM or MPI depends on which library the vendor of your system prefers. Sometimes MPI is the better choice because it contains the newest features, such as support for hardware-supported multicast or broadcast, that can significantly improve the overall performance of a scatter-gather application.

A good text on MPI is *Using MPI — Portable Parallel Programming with the Message-Passing Interface*, by William Gropp, Ewing Lusk, and Anthony Skjellum (MIT Press). You may also want to retrieve and print the MPI specification from <http://www.netlib.org/mpi/><sup>25</sup>.

#### 4.2.4 Closing Notes<sup>26</sup>

In this chapter we have looked at the “assembly language” of parallel programming. While it can seem daunting to rethink your application, there are often some simple changes you can make to port your code to message passing. Depending on the application, a master-slave, broadcast-gather, or decomposed data approach might be most appropriate.

It’s important to realize that some applications just don’t decompose into message passing very well. You may be working with just such an application. Once you have some experience with message passing, it becomes easier to identify the critical points where data must be communicated between processes.

While HPF, PVM, and MPI are all mature and popular technologies, it’s not clear whether any of these technologies will be the long-term solution that we will use 10 years from now. One possibility is that we will use FORTRAN 90 (or FORTRAN 95) without any data layout directives or that the directives will be optional. Another interesting possibility is simply to keep using FORTRAN 77. As scalable, cache-coherent, non-uniform memory systems become more popular, they will evolve their own data allocation primitives. For example, the HP/Exemplar supports the following data storage attributes: shared, node-private, and thread-private. As dynamic data structures are allocated, they can be placed in any one of these classes. Node-private memory is shared across all the threads on a single node but not shared beyond those threads. Perhaps we will only have to declare the storage class of the data but not the data layout for these new machines.

PVM and MPI still need the capability of supporting a fault-tolerant style of computing that allows an application to complete as resources fail or otherwise become available. The amount of compute power that will be available to applications that can tolerate some unreliability in the resources will be very large. There have been a number of moderately successful attempts in this area such as Condor, but none have really caught on in the mainstream.

To run the most powerful computers in the world at their absolute maximum performance levels, the need to be portable is somewhat reduced. Making your particular application go ever faster and scale to ever higher numbers of processors is a fascinating activity. May the FLOPS be with you!

---

<sup>25</sup><http://www.netlib.org/mpi/>

<sup>26</sup>This content is available online at <http://cnx.org/content/m33784/1.3/>.



# Appendixes

## 5.1 Appendix C: High Performance Microprocessors

### 5.1.1 Introduction<sup>1</sup>

#### 5.1.1.1 High Performance Microprocessors

It has been said that history is rewritten by the victors. It is clear that high performance RISC-based microprocessors are defining the current history of high performance computing. We begin our study with the basic building blocks of modern high performance computing: the high performance RISC microprocessors.

A *complex instruction set computer* (CISC) instruction set is made up of powerful primitives, close in functionality to the primitives of high-level languages like C or FORTRAN. It captures the sense of “don’t do in software what you can do in hardware.” RISC, on the other hand, emphasizes low-level primitives, far below the complexity of a high-level language. You can compute anything you want using either approach, though it will probably take more machine instructions if you’re using RISC. The important difference is that with RISC you can trade instruction-set complexity for speed.

To be fair, RISC isn’t really all that new. There were some important early machines that pioneered RISC philosophies, such as the CDC 6600 (1964) and the IBM 801 project (1975). It was in the mid-1980s, however, that RISC machines first posed a direct challenge to the CISC installed base. Heated debate broke out — RISC versus CISC — and even lingers today, though it is clear that the RISC<sup>2</sup> approach is in greatest favor; late-generation CISC machines are looking more RISC-like, and some very old families of CISC, such as the DEC VAX, are being retired.

This chapter is about CISC and RISC instruction set architectures and the differences between them. We also describe newer processors that can execute more than one instruction at a time and can execute instructions out of order.

### 5.1.2 Why CISC?<sup>3</sup>

You might ask, “If RISC is faster, why did people bother with CISC designs in the first place?” The short answer is that in the beginning, CISC was the right way to go; RISC wasn’t always both feasible and affordable. Every kind of design incorporates trade-offs, and over time, the best systems will make them differently. In the past, the design variables favored CISC.

#### 5.1.2.1 Space and Time

To start, we’ll ask you how well you know the assembly language for your work- station. The answer is probably that you haven’t even seen it. Why bother? Compilers and development tools are very good, and if

<sup>1</sup>This content is available online at <<http://cnx.org/content/m33671/1.3/>>.

<sup>2</sup>One of the most interesting remaining topics is the definition of “RISC.” Don’t be fooled into thinking there is one definition of RISC. The best I have heard so far is from John Mashey: “RISC is a label most commonly used for a set of instruction set architecture characteristics chosen to ease the use of aggressive implementation techniques found in high performance processors (regardless of RISC, CISC, or irrelevant).”

<sup>3</sup>This content is available online at <<http://cnx.org/content/m33672/1.3/>>.

you have a problem, you can debug it at the source level. However, 30 years ago, “respectable” programmers understood the machine’s instruction set. High-level language compilers were commonly available, but they didn’t generate the fastest code, and they weren’t terribly thrifty with memory. When programming, you needed to save both space and time, which meant you knew how to program in assembly language. Accordingly, you could develop an opinion about the machine’s instruction set. A good instruction set was both easy to use and powerful. In many ways these qualities were the same: “powerful” instructions accomplished a lot, and saved the programmer from specifying many little steps — which, in turn, made them easy to use. But they had other, less apparent (though perhaps more important) features as well: powerful instructions saved memory and time.

Back then, computers had very little storage by today’s standards. An instruction that could roll all the steps of a complex operation, such as a do-loop, into single opcode<sup>4</sup> was a plus, because memory was precious. To put some stakes in the ground, consider the last vacuum-tube computer that IBM built, the model 704 (1956). It had hardware floating-point, including a division operation, index registers, and instructions that could operate directly on memory locations. For instance, you could add two numbers together and store the result back into memory with a single command. The Philco 2000, an early transistorized machine (1959), had an operation that could repeat a sequence of instructions until the contents of a counter was decremented to zero — very much like a do-loop. These were complex operations, even by today’s standards. However, both machines had a limited amount of memory — 32-K words. The less memory your program took up, the more you had available for data, and the less likely that you would have to resort to overlaying portions of the program on top of one another.

Complex instructions saved time, too. Almost every large computer following the IBM 704 had a memory system that was slower than its central processing unit (CPU). When a single instruction can perform several operations, the overall number of instructions retrieved from memory can be reduced. Minimizing the number of instructions was particularly important because, with few exceptions, the machines of the late 1950s were very sequential; not until the current instruction was completed did the computer initiate the process of going out to memory to get the next instruction.<sup>5</sup> By contrast, modern machines form something of a bucket brigade — passing instructions in from memory and figuring out what they do on the way — so there are fewer gaps in processing.

If the designers of early machines had had very fast and abundant instruction memory, sophisticated compilers, and the wherewithal to build the instruction “bucket brigade” — cheaply — they might have chosen to create machines with simple instruction sets. At the time, however, technological choices indicated that instructions should be powerful and thrifty with memory.

### 5.1.2.2 Beliefs About Complex Instruction Sets

So, given that the lot was cast in favor of complex instruction sets, computer architects had license to experiment with matching them to the intended purposes of the machines. For instance, the do-loop instruction on the Philco 2000 looked like a good companion for procedural languages like FORTRAN. Machine designers assumed that compiler writers could generate object programs using these powerful machine instructions, or possibly that the compiler could be eliminated, and that the machine could execute source code directly in hardware.

You can imagine how these ideas set the tone for product marketing. Up until the early 1980s, it was common practice to equate a bigger instruction set with a more powerful computer. When clock speeds were increasing by multiples, no increase in instruction set complexity could fetter a new model of computer enough so that there wasn’t still a tremendous net increase in speed. CISC machines kept getting faster, in spite of the increased operation complexity.

---

<sup>4</sup>Opcode = operation code = instruction.

<sup>5</sup>In 1955, IBM began constructing a machine known as Stretch. It was the first computer to process several instructions at a time in stages, so that they streamed in, rather than being fetched in a piece-meal fashion. The goal was to make it 25 times faster than the then brand-new IBM 704. It was six years before the first Stretch was delivered to Los Alamos National Laboratory. It was indeed faster, but it was expensive to build. Eight were sold for a loss of \$20 million.

As it turned out, assembly language programmers used the complicated machine instructions, but compilers generally did not. It was difficult enough to get a compiler to recognize when a complicated instruction could be used, but the real problem was one of optimizations: verbatim translation of source constructs isn't very efficient. An optimizing compiler works by simplifying and eliminating redundant computations. After a pass through an optimizing compiler, opportunities to use the complicated instructions tend to disappear.

### 5.1.3 Fundamental of RISC<sup>6</sup>

A RISC machine could have been built in 1960. (In fact, Seymour Cray built one in 1964 — the CDC 6600.) However, given the same costs of components, technical barriers, and even expectations for how computers would be used, you would probably still have chosen a CISC design — even with the benefit of hindsight.

The exact inspiration that led to developing high performance RISC microprocessors in the 1980s is a subject of some debate. Regardless of the motivation of the RISC designers, there were several obvious pressures that affected the development of RISC:

- The number of transistors that could fit on a single chip was increasing. It was clear that one would eventually be able to fit all the components from a processor board onto a single chip.
- Techniques such as pipelining were being explored to improve performance. Variable-length instructions and variable-length instruction execution times (due to varying numbers of microcode steps) made implementing pipelines more difficult.
- As compilers improved, they found that well-optimized sequences of stream-lined instructions often outperformed the equivalent complicated multi-cycle instructions. (See Appendix A, Processor Architectures, and Appendix B, Looking at Assembly Language.)

The RISC designers sought to create a high performance single-chip processor with a fast clock rate. When a CPU can fit on a single chip, its cost is decreased, its reliability is increased, and its clock speed can be increased. While not all RISC processors are single-chip implementation, most use a single chip.

To accomplish this task, it was necessary to discard the existing CISC instruction sets and develop a new minimal instruction set that could fit on a single chip. Hence the term *reduced instruction set computer*. In a sense reducing the instruction set was not an “end” but a means to an end.

For the first generation of RISC chips, the restrictions on the number of components that could be manufactured on a single chip were severe, forcing the designers to leave out hardware support for some instructions. The earliest RISC processors had no floating-point support in hardware, and some did not even support integer multiply in hardware. However, these instructions could be implemented using software routines that combined other instructions (a microcode of sorts).

These earliest RISC processors (most severely reduced) were not overwhelming successes for four reasons:

- It took time for compilers, operating systems, and user software to be retuned to take advantage of the new processors.
- If an application depended on the performance of one of the software-implemented instructions, its performance suffered dramatically.
- Because RISC instructions were simpler, more instructions were needed to accomplish the task.
- Because all the RISC instructions were 32 bits long, and commonly used CISC instructions were as short as 8 bits, RISC program executables were often larger.

As a result of these last two issues, a RISC program may have to fetch more memory for its instructions than a CISC program. This increased appetite for instructions actually clogged the memory bottleneck until sufficient caches were added to the RISC processors. In some sense, you could view the caches on RISC processors as the microcode store in a CISC processor. Both reduced the overall appetite for instructions that were loaded from memory.

---

<sup>6</sup>This content is available online at <<http://cnx.org/content/m33673/1.3/>>.

While the RISC processor designers worked out these issues and the manufacturing capability improved, there was a battle between the existing (now called CISC) processors and the new RISC (not yet successful) processors. The CISC processor designers had mature designs and well-tuned popular software. They also kept adding performance tricks to their systems. By the time Motorola had evolved from the MC68000 in 1982 that was a CISC processor to the MC68040 in 1989, they referred to the MC68040 as a RISC processor.<sup>7</sup>

However, the RISC processors eventually became successful. As the amount of logic available on a single chip increased, floating-point operations were added back onto the chip. Some of the additional logic was used to add on-chip cache to solve some of the memory bottleneck problems due to the larger appetite for instruction memory. These and other changes moved the RISC architectures from the defensive to the offensive.

RISC processors quickly became known for their affordable high-speed floating-point capability compared to CISC processors.<sup>8</sup> This excellent performance on scientific and engineering applications effectively created a new type of computer system, the workstation. Workstations were more expensive than personal computers but their cost was sufficiently low that workstations were heavily used in the CAD, graphics, and design areas. The emerging workstation market effectively created three new computer companies in Apollo, Sun Microsystems, and Silicon Graphics.

Some of the existing companies have created competitive RISC processors in addition to their CISC designs. IBM developed its RS-6000 (RIOS) processor, which had excellent floating-point performance. The Alpha from DEC has excellent performance in a number of computing benchmarks. Hewlett-Packard has developed the PA-RISC series of processors with excellent performance. Motorola and IBM have teamed to develop the PowerPC series of RISC processors that are used in IBM and Apple systems.

By the end of the RISC revolution, the performance of RISC processors was so impressive that single and multiprocessor RISC-based server systems quickly took over the minicomputer market and are currently encroaching on the traditional mainframe market.

### 5.1.3.1 Characterizing RISC

RISC is more of a design philosophy than a set of goals. Of course every RISC processor has its own personality. However, there are a number of features commonly found in machines people consider to be RISC:

- Instruction pipelining
- Pipelining floating-point execution
- Uniform instruction length
- Delayed branching
- Load/store architecture
- Simple addressing modes

This list highlights the differences between RISC and CISC processors. Naturally, the two types of instruction-set architectures have much in common; each uses registers, memory, etc. And many of these techniques are used in CISC machines too, such as caches and instruction pipelines. It is the fundamental differences that give RISC its speed advantage: focusing on a smaller set of less powerful instructions makes it possible to build a faster computer.

However, the notion that RISC machines are generally simpler than CISC machines isn't correct. Other features, such as functional pipelines, sophisticated memory systems, and the ability to issue two or more instructions per clock make the latest RISC processors the most complicated ever built. Furthermore, much of the complexity that has been lifted from the instruction set has been driven into the compilers, making a good optimizing compiler a prerequisite for machine performance.

Let's put ourselves in the role of computer architect again and look at each item in the list above to understand why it's important.

<sup>7</sup>And they did it without ever taking out a single instruction!

<sup>8</sup>The typical CISC microprocessor in the 1980s supported floating-point operations in a separate coprocessor.



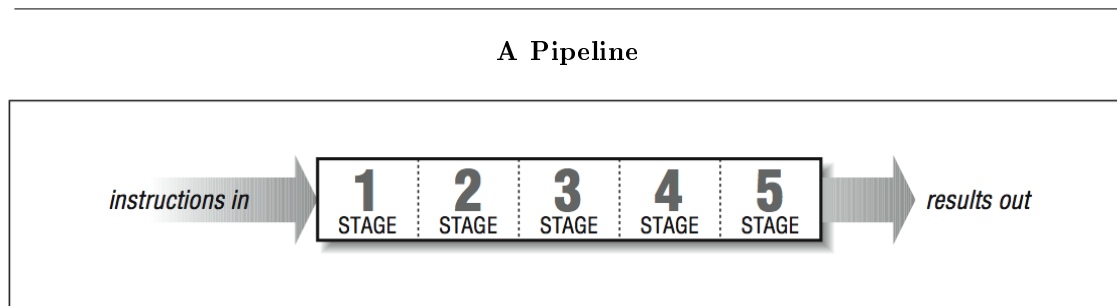
### 5.1.3.2 Pipelines

Everything within a digital computer (RISC or CISC) happens in step with a *clock*: a signal that paces the computer's circuitry. The rate of the clock, or *clock speed*, determines the overall speed of the processor. There is an upper limit to how fast you can clock a given computer.

A number of parameters place an upper limit on the clock speed, including the semiconductor technology, packaging, the length of wires tying the pieces together, and the longest path in the processor. Although it may be possible to reach blazing speed by optimizing all of the parameters, the cost can be prohibitive. Furthermore, exotic computers don't make good office mates; they can require too much power, produce too much noise and heat, or be too large. There is incentive for manufacturers to stick with manufacturable and marketable technologies.

Reducing the number of clock ticks it takes to execute an individual instruction is a good idea, though cost and practicality become issues beyond a certain point. A greater benefit comes from partially overlapping instructions so that more than one can be in progress simultaneously. For instance, if you have two additions to perform, it would be nice to execute them both at the same time. How do you do that? The first, and perhaps most obvious, approach, would be to start them simultaneously. Two additions would execute together and complete together in the amount of time it takes to perform one. As a result, the throughput would be effectively doubled. The downside is that you would need hardware for two adders in a situation where space is usually at a premium (especially for the early RISC processors).

Other approaches for overlapping execution are more cost-effective than side-by-side execution. Imagine what it would be like if, a moment after launching one operation, you could launch another without waiting for the first to complete. Perhaps you could start another of the same type right behind the first one — like the two additions. This would give you nearly the performance of side-by-side execution without duplicated hardware. Such a mechanism does exist to varying degrees in all computers — CISC and RISC. It's called a pipeline. A pipeline takes advantage of the fact that many operations are divided into identifiable steps, each of which uses different resources on the processor.<sup>9</sup>



**Figure 5.1**

Figure 5.1 (A Pipeline) shows a conceptual diagram of a pipeline. An operation entering at the left proceeds on its own for five clock ticks before emerging at the right. Given that the pipeline stages are independent of one another, up to five operations can be in flight at a time as long as each instruction is

<sup>9</sup>Here is a simple analogy: imagine a line at a fast-food drive up window. If there is only one window, one customer orders and pays, and the food is bagged and delivered to the customer before the second customer orders. For busier restaurants, there are three windows. First you order, then move ahead. Then at a second window, you pay and move ahead. At the third window you pull up, grab the food and roar off into the distance. While your wait at the three-window (pipelined) drive-up may have been slightly longer than your wait at the one-window (non-pipelined) restaurant, the pipeline solution is significantly better because multiple customers are being processed simultaneously.

delayed long enough for the previous instruction to clear the pipeline stage. Consider how powerful this mechanism is: where before it would have taken five clock ticks to get a single result, a pipeline produces as much as one result every clock tick.

Pipelining is useful when a procedure can be divided into stages. Instruction processing fits into that category. The job of retrieving an instruction from memory, figuring out what it does, and doing it are separate steps we usually lump together when we talk about executing an instruction. The number of steps varies, depending on whose processor you are using, but for illustration, let's say there are five:

1. *Instruction fetch*: The processor fetches an instruction from memory.
2. *Instruction decode*: The instruction is recognized or decoded.
3. *Operand Fetch*: The processor fetches the operands the instruction needs. These operands may be in registers or in memory.
4. *Execute*: The instruction gets executed.
5. *Writeback*: The processor writes the results back to wherever they are supposed to go—possibly registers, possibly memory.

Ideally, instruction

1. Will be entering the operand fetch stage as instruction
2. enters instruction decode stage and instruction
3. starts instruction fetch, and so on.

Our pipeline is five stages deep, so it should be possible to get five instructions in flight all at once. If we could keep it up, we would see one instruction complete per clock cycle.

Simple as this illustration seems, instruction pipelining is complicated in real life. Each step must be able to occur on different instructions simultaneously, and delays in any stage have to be coordinated with all those that follow. In Figure 5.2 (Three instructions in flight through one pipeline) we see three instructions being executed simultaneously by the processor, with each instruction in a different stage of execution.

---

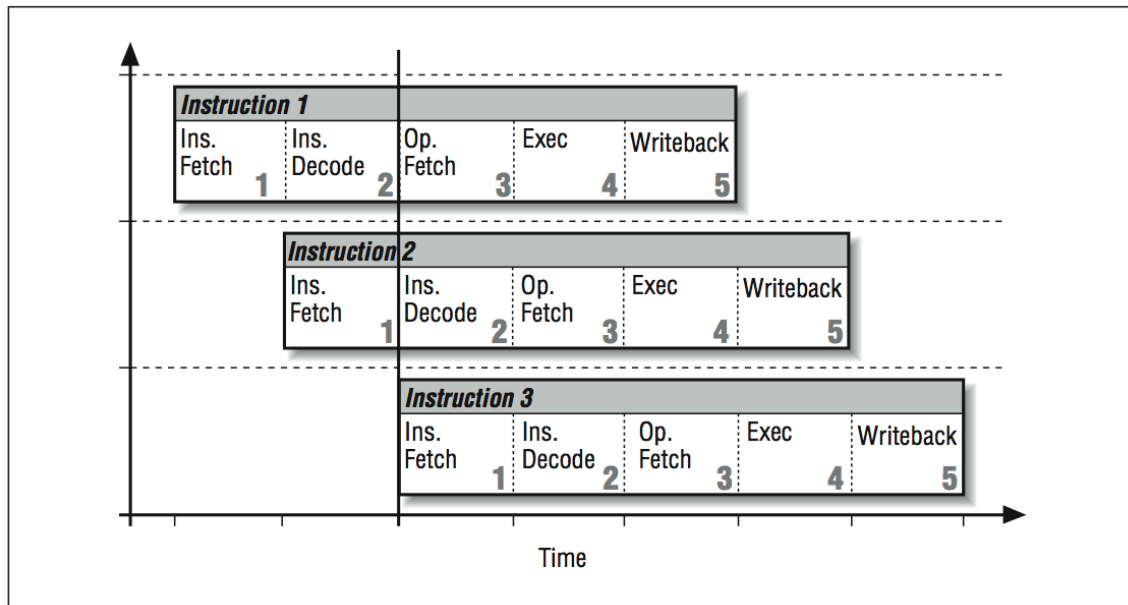
 Three instructions in flight through one pipeline


Figure 5.2

---

For instance, if a complicated memory access occurs in stage three, the instruction needs to be delayed before going on to stage four because it takes some time to calculate the operand's address and retrieve it from memory. All the while, the rest of the pipeline is stalled. A simpler instruction, sitting in one of the earlier stages, can't continue until the traffic ahead clears up.

Now imagine how a jump to a new program address, perhaps caused by an if statement, could disrupt the pipeline flow. The processor doesn't know an instruction is a branch until the decode stage. It usually doesn't know whether a branch will be taken or not until the execute stage. As shown in Figure 5.3 (Detecting a branch), during the four cycles after the branch instruction was fetched, the processor blindly fetches instructions sequentially and starts these instructions through the pipeline.

### Detecting a branch

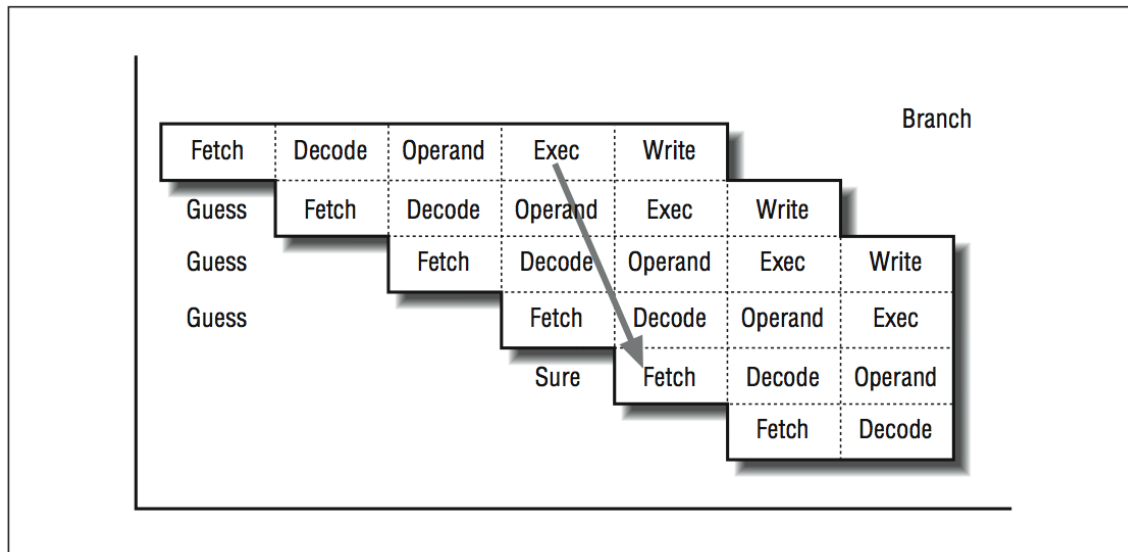


Figure 5.3

If the branch “falls through,” then everything is in great shape; the pipeline simply executes the next instruction. It’s as if the branch were a “no-op” instruction. However, if the branch jumps away, those three partially processed instructions never get executed. The first order of business is to discard these “in-flight” instructions from the pipeline. It turns out that because none of these instructions was actually going to do anything until its execute stage, we can throw them away without hurting anything (other than our efficiency). Somehow the processor has to be able to clear out the pipeline and restart the pipeline at the branch destination.

Unfortunately, branch instructions occur every five to ten instructions in many programs. If we executed a branch every fifth instruction and only half our branches fell through, the lost efficiency due to restarting the pipeline after the branches would be 20 percent.

You need optimal conditions to keep the pipeline moving. Even in less-than-optimal conditions, instruction pipelining is a big win — especially for RISC processors. Interestingly, the idea dates back to the late 1950s and early 1960s with the UNI-VAC LARC and the IBM Stretch. Instruction pipelining became mainstreamed in 1964, when the CDC 6600 and the IBM S/360 families were introduced with pipelined instruction units — on machines that represented RISC-ish and CISC designs, respectively. To this day, ever more sophisticated techniques are being applied to instruction pipelining, as machines that can overlap instruction execution become commonplace.

#### 5.1.3.3 Pipelined Floating-Point Operations

Because the execution stage for floating-point operations can take longer than the execution stage for fixed-point computations, these operations are typically pipelined, too. Generally, this includes floating-point addition, subtraction, multiplication, comparisons, and conversions, though it might not include square roots and division. Once a pipelined floating-point operation is started, calculations continue through the

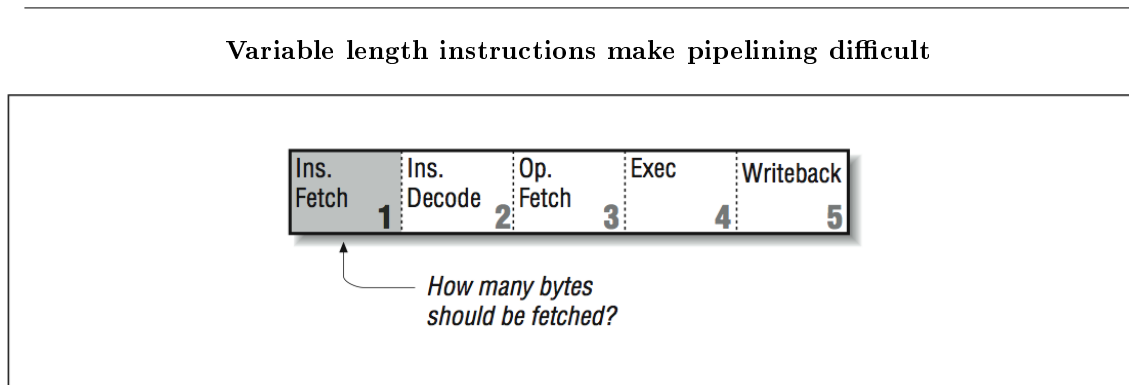
several stages without delaying the rest of the processor. The result appears in a register at some point in the future.

Some processors are limited in the amount of overlap their floating-point pipelines can support. Internal components of the pipelines may be shared (for adding, multiplying, normalizing, and rounding intermediate results), forcing restrictions on when and how often you can begin new operations. In other cases, floating-point operations can be started every cycle regardless of the previous floating-point operations. We say that such operations are *fully pipelined*.

The number of stages in floating-point pipelines for affordable computers has decreased over the last 10 years. More transistors and newer algorithms make it possible to perform a floating-point addition or multiplication in just one to three cycles. Generally the most difficult instruction to perform in a single cycle is the floating-point multiply. However, if you dedicate enough hardware to it, there are designs that can operate in a single cycle at a moderate clock rate.

#### 5.1.3.4 Uniform Instruction Length

Our sample instruction pipeline had five stages: instruction fetch, instruction decode, operand fetch, execution, and writeback. We want this pipeline to be able to process five instructions in various stages without stalling. Decomposing each operation into five identifiable parts, each of which is roughly the same amount of time, is challenging enough for a RISC computer. For a designer working with a CISC instruction set, it's especially difficult because CISC instructions come in varying lengths. A simple “return from subroutine” instruction might be one byte long, for instance, whereas it would take a longer instruction to say “add register four to memory location 2005 and leave the result in register five.” The number of bytes to be fetched must be known by the fetch stage of the pipeline as shown in Figure 5.4 (Variable length instructions make pipelining difficult).



**Figure 5.4**

The processor has no way of knowing how long an instruction will be until it reaches the decode stage and determines what it is. If it turns out to be a long instruction, the processor may have to go back to memory and get the portion left behind; this stalls the pipeline. We could eliminate the problem by requiring that all instructions be the same length, and that there be a limited number of instruction formats as shown in Figure 5.5 (Variable-length CISC versus fixed-length RISC instructions). This way, every instruction entering the pipeline is known *a priori* to be complete — not needing another memory access. It would also be easier for the processor to locate the instruction fields that specify registers or constants. Altogether because RISC can assume a fixed instruction length, the pipeline flows much more smoothly.

## Variable-length CISC versus fixed-length RISC instructions

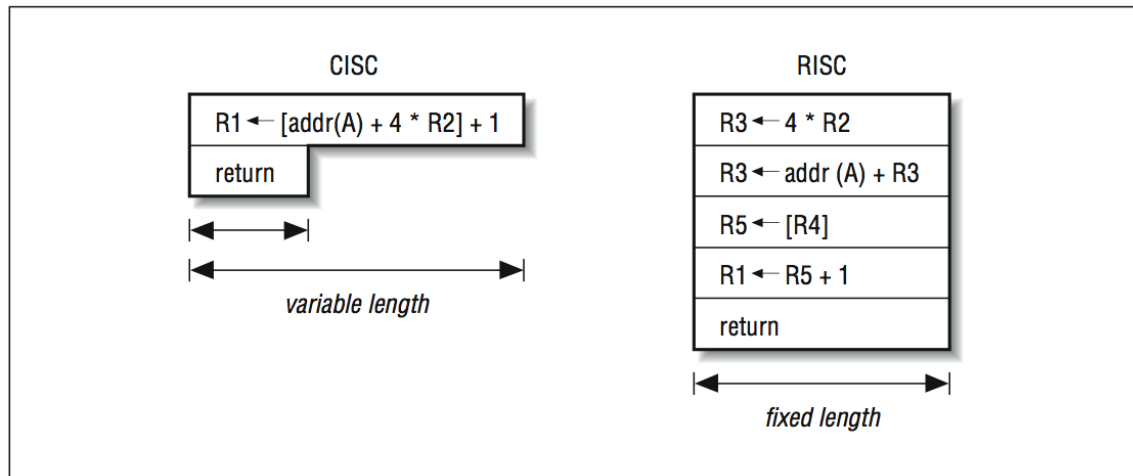


Figure 5.5

## 5.1.3.5 Delayed Branches

As described earlier, branches are a significant problem in a pipelined architecture. Rather than take a penalty for cleaning out the pipeline after a misguessed branch, many RISC designs require an instruction after the branch. This instruction, in what is called the *branch delay slot*, is executed no matter what way the branch goes. An instruction in this position should be useful, or at least harmless, whichever way the branch proceeds. That is, you expect the processor to execute the instruction following the branch in either case, and plan for it. In a pinch, a no-op can be used. A slight variation would be to give the processor the ability to *annul* (or squash) the instruction appearing in the branch delay slot if it turns out that it shouldn't have been issued after all:

ADD	R1,R2,R1	add r1 to r2 and store in r1
SUB	R3,R1,R3	subtract r1 from r3, store in r3
BRA	SOMEWHERE	branch somewhere else
LABEL1	ZERO R3	instruction in branch delay slot
	...	

While branch delay slots appeared to be a very clever solution to eliminating pipeline stalls associated with branch operations, as processors moved toward executing two and four instructions simultaneously, another approach was needed.<sup>10</sup>

A more robust way of eliminating pipeline stalls was to “predict” the direction of the branch using a table stored in the decode unit. As part of the decode stage, the CPU would notice that the instruction was a

<sup>10</sup>Interestingly, while the delay slot is no longer critical in processors that execute four instructions simultaneously, there is not yet a strong reason to remove the feature. Removing the delay slot would be nonupwards-compatible, breaking many existing codes. To some degree, the branch delay slot has become “baggage” on those “new” 10-year-old architectures that must continue to support it.

branch and consult a table that kept the recent behavior of the branch; it would then make a guess. Based on the guess, the CPU would immediately begin fetching at the predicted location. As long as the guesses were correct, branches cost exactly the same as any other instruction.

If the prediction was wrong, the instructions that were in process had to be cancelled, resulting in wasted time and effort. A simple branch prediction scheme is typically correct well over 90% of the time, significantly reducing the overall negative performance impact of pipeline stalls due to branches. All recent RISC designs incorporate some type of branch prediction, making branch delay slots effectively unnecessary.

Another mechanism for reducing branch penalties is *conditional execution*. These are instructions that look like branches in source code, but turn out to be a special type of instruction in the object code. They are very useful because they replace test and branch sequences altogether. The following lines of code capture the sense of a conditional branch:

```
IF ( B < C ) THEN
  A = D
ELSE
  A = E
ENDIF
```

Using branches, this would require at least two branches to ensure that the proper value ended up in A. Using conditional execution, one might generate code that looks as follows:

```
COMPARE B < C
IF TRUE A = D      conditional instruction
IF FALSE A = E    conditional instruction
```

This is a sequence of three instructions with *no branches*. One of the two assignments executes, and the other acts as a no-op. No branch prediction is needed, and the pipeline operates perfectly. There is a cost to taking this approach when there are a large number of instructions in one or the other branch paths that would seldom get executed using the traditional branch instruction model.

### 5.1.3.6 Load/Store Architecture

In a load/store instruction set architecture, memory references are limited to explicit load and store instructions. Each instruction may not make more than one memory reference per instruction. In a CISC processor, arithmetic and logical instructions can include embedded memory references. There are three reasons why limiting loads and stores to their own instructions is an improvement:

- First, we want all instructions to be the same length, for the reasons given above. However, fixed lengths impose a budget limit when it comes to describing what the operation does and which registers it uses. An instruction that both referenced memory and performed some calculation wouldn't fit within one instruction word.
- Second, giving every instruction the option to reference memory would complicate the pipeline because there would be two computations to perform—the address calculation plus whatever the instruction is supposed to do—but there is only one execution stage. We could throw more hardware at it, but by restricting memory references to explicit loads and stores, we can avoid the problem entirely. Any instruction can perform an address calculation or some other operation, but no instruction can do both.

- The third reason for limiting memory references to explicit loads and stores is that they can take more time than other instructions — sometimes two or three clock cycles more. A general instruction with an embedded memory reference would get hung up in the operand fetch stage for those extra cycles, waiting for the reference to complete. Again we would be faced with an instruction pipeline stall.

Explicit load and store instructions can kick off memory references in the pipeline's execute stage, to be completed at a later time (they might complete immediately; it depends on the processor and the cache). An operation downstream may require the result of the reference, but that's all right, as long as it is far enough downstream that the reference has had time to complete.

### 5.1.3.7 Simple Addressing Modes

Just as we want to simplify the instruction set, we also want a simple set of memory addressing modes. The reasons are the same: complicated address calculations, or those that require multiple memory references, will take too much time and stall the pipeline. This doesn't mean that your program can't use elegant data structures; the compiler explicitly generates the extra address arithmetic when it needs it, as long as it can count on a few fundamental addressing modes in hardware. In fact, the extra address arithmetic is often easier for the compiler to optimize into faster forms (see Section 5.2.1 and Section 2.1.6.8 (Induction Variable Simplification)).

Of course, cutting back the number of addressing modes means that some memory references will take more real instructions than they might have taken on a CISC machine. However, because everything executes more quickly, it generally is still a performance win.

## 5.1.4 Second-Generation RISC Processors<sup>11</sup>

The Holy Grail for early RISC machines was to achieve one instruction per clock. The idealized RISC computer running at, say, 50 MHz, would be able to issue 50 million instructions per second assuming perfect pipeline scheduling. As we have seen, a single instruction will take five or more clock ticks to get through the instruction pipeline, but if the pipeline can be kept full, the aggregate rate will, in fact, approach one instruction per clock. Once the basic pipelined RISC processor designs became successful, competition ensued to determine which company could build the best RISC processor.

Second-generation RISC designers used three basic methods to develop competitive RISC processors:

- Improve the manufacturing processes to simply make the clock rate faster. Take a simple design; make it smaller and faster. This approach was taken by the Alpha processors from DEC. Alpha processors typically have had clock rates double those of the closest competitor.
- Add duplicate compute elements on the space available as we can manufacture chips with more transistors. This could allow two instructions to be executed per cycle and could double performance without increasing clock rate. This technique is called *superscalar*.
- Increase the number of stages in the pipeline above five. If the instructions can truly be decomposed evenly into, say, ten stages, the clock rate could theoretically be doubled without requiring new manufacturing processes. This technique was called *superpipelining*. The MIPS processors used this technique with some success.

### 5.1.4.1 Superscalar Processors

The way you get two or more instructions per clock is by starting several operations side by side, possibly in separate pipelines. In Figure 5.6 (Decomposing a serial stream), if you have an integer addition and a multiplication to perform, it should be possible to begin them simultaneously, provided they are independent of each other (as long as the multiplication does not need the output of the addition as one of its operands

<sup>11</sup>This content is available online at <<http://cnx.org/content/m33675/1.3/>>.



or vice versa). You could also execute multiple fixed-point instructions — compares, integer additions, etc. — at the same time, provided that they, too, are independent. Another term used to describe superscalar processors is *multiple instruction issue* processors.

### Decomposing a serial stream

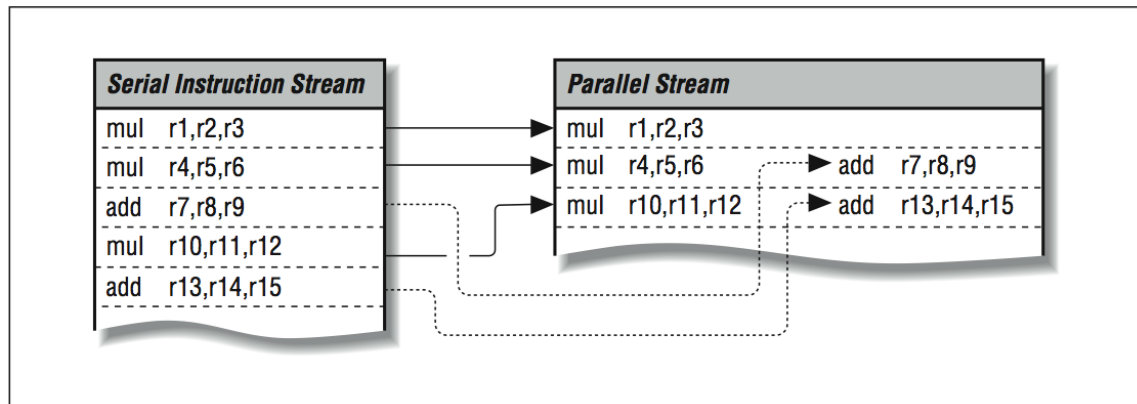


Figure 5.6

The number and variety of operations that can be run in parallel depends on both the program and the processor. The program has to have enough usable parallelism so that there are multiple things to do, and the processor has to have an appropriate assortment of functional units and the ability to keep them busy. The idea is conceptually simple, but it can be a challenge for both hardware designers and compiler writers. Every opportunity to do several things in parallel exposes the danger of violating some precedence (i.e., performing computations in the wrong order).

#### 5.1.4.2 Superpipelined Processors

Roughly stated, simpler circuitry can run at higher clock speeds. Put yourself in the role of a CPU designer again. Looking at the instruction pipeline of your processor, you might decide that the reason you can't get more speed out of it is that some of the stages are too complicated or have too much going on, and they are placing limits on how fast the whole pipeline can go. Because the stages are clocked in unison, the slowest of them forms a weak link in the chain.

If you divide the complicated stages into less complicated portions, you can increase the overall speed of the pipeline. This is called *superpipelining*. More instruction pipeline stages with less complexity per stage will do the same work as a pipelined processor, but with higher throughput due to increased clock speed. Figure 5.7 (MIPS R4000 instruction pipeline) shows an eight-stage pipeline used in the MIPS R4000 processor.

## MIPS R4000 instruction pipeline

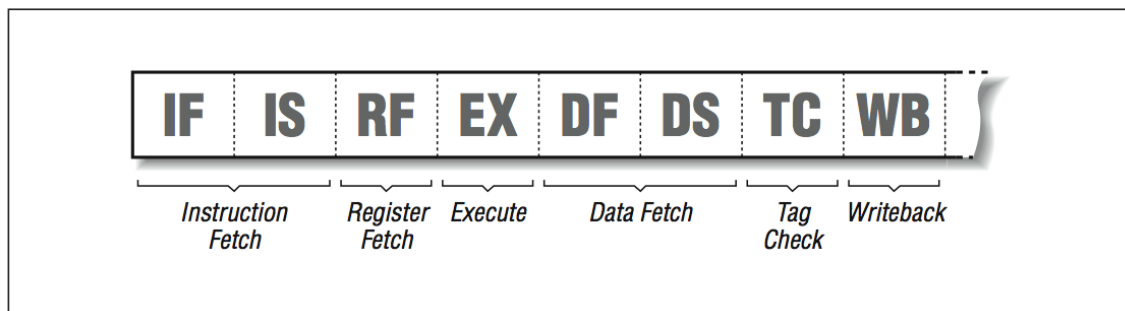


Figure 5.7

Theoretically, if the reduced complexity allows the processor to clock faster, you can achieve nearly the same performance as superscalar processors, yet without instruction mix preferences. For illustration, picture a superscalar processor with two units — fixed- and floating-point — executing a program that is composed solely of fixed-point calculations; the floating-point unit goes unused. This reduces the superscalar performance by one half compared to its theoretical maximum. A superpipelined processor, on the other hand, will be perfectly happy to handle an unbalanced instruction mix at full speed.

Superpipelines are not new; deep pipelines have been employed in the past, notably on the CDC 6600. The label is a marketing creation to draw contrast to superscalar processing, and other forms of efficient, high-speed computing.

Superpipelining can be combined with other approaches. You could have a superscalar machine with deep pipelines (DEC AXP and MIPS R-8000 are examples). In fact, you should probably expect that faster pipelines with more stages will become so commonplace that nobody will remember to call them superpipelines after a while.

### 5.1.5 RISC Means Fast<sup>12</sup>

We all know that the “R” in RISC means “reduced.” Lately, as the number of components that can be manufactured on a chip has increased, CPU designers have been looking at ways to make their processors faster by adding features. We have already talked about many of the features such as on-chip multipliers, very fast floating-point, lots of registers, and on-chip caches. Even with all of these features, there seems to be space left over. Also, because much of the design of the control section of the processor is automated, it might not be so bad to add just a “few” new instructions here and there. Especially if simulations indicate a 10% overall increase in speed!

So, what does it mean when they add 15 instructions to a RISC instruction set architecture (ISA)? Would we call it “not-so-RISC”? A suggested term for this trend is FISC, or *fast instruction set computer*. The point is that reducing the number of instructions is not the goal. The goal is to build the fastest possible processor within the manufacturing and cost constraints.<sup>13</sup>

Some of the types of instructions that are being added into architectures include:

- More addressing modes
- Meta-instructions such as “decrement counter and branch if non-zero”
- Specialized graphics instructions such as the Sun VIS set, the HP graphics instructions, the MIPS Digital Media Extensions (MDMX), and the Intel MMX instructions

<sup>12</sup>This content is available online at <<http://cnx.org/content/m33679/1.3/>>.

<sup>13</sup>People will argue forever but, in a sense, reducing the instruction set was never an end in itself, it was a means to an end.

Interestingly, the reason that the first two are feasible is that adder units take up so little space, it is possible to put one adder into the decode unit and another into the load/store unit. Most visualization instruction sets take up very little chip area. They often provide “ganged” 8-bit computations to allow a 64-bit register to be used to perform eight 8-bit operations in a single instruction.

### 5.1.6 Out-of-Order Execution: The Post-RISC Architecture<sup>14</sup>

We’re never satisfied with the performance level of our computing equipment and neither are the processor designers. Two-way superscalar processors were very successful around 1994. Many designs were able to execute 1.6–1.8 instructions per cycle on average, using all of the tricks described so far. As we became able to manufacture chips with an ever-increasing transistor count, it seemed that we would naturally progress to four-way and then eight-way superscalar processors. The fundamental problem we face when trying to keep four functional units busy is that it’s difficult to find contiguous sets of four (or eight) instructions that can be executed in parallel. It’s an easy cop-out to say, “the compiler will solve it all.”

The solution to these problems that will allow these processors to effectively use four functional units per cycle and hide memory latency is *out-of-order execution* and *speculative execution*. Out-of-order execution allows a later instruction to be processed before an earlier instruction is completed. The processor is “betting” that the instruction will execute, and the processor will have the precomputed “answer” the instruction needs. In some ways, portions of the RISC design philosophy are turned inside-out in these new processors.

#### 5.1.6.1 Speculative Computation

To understand the post-RISC architecture, it is important to separate the concept of computing a value for an instruction and actually executing the instruction. Let’s look at a simple example:

```
LD    R10,R2(R0)    Load into R10 from memory
...
FDIV  R4,R5,R6     R4 = R5 / R6
```

Assume that (1) we are executing the load instruction, (2) R5 and R6 are already loaded from earlier instructions, (3) it takes 30 cycles to do a floating-point divide, and (4) there are no instructions that need the divide unit between the LD and the FDIV. Why not start the divide unit *computing* the FDIV right now, storing the result in some temporary scratch area? It has nothing better to do. When or if we arrive at the FDIV, we will know the result of the calculation, copy the scratch area into R4, and the FDIV will appear to *execute* in one cycle. Sound farfetched? Not for a post-RISC processor.

The post-RISC processor must be able to speculatively compute results before the processor knows whether or not an instruction will actually execute. It accomplishes this by allowing instructions to start that will never finish and allowing later instructions to start before earlier instructions finish.

To store these instructions that are in limbo between started and finished, the post-RISC processor needs some space on the processor. This space for instructions is called the *instruction reorder buffer* (IRB).

#### 5.1.6.2 The Post-RISC Pipeline

The post-RISC processor pipeline in Figure 5.8 (Post-RISC pipeline) looks somewhat different from the RISC pipeline. The first two stages are still instruction fetch and decode. Decode includes branch prediction using a table that indicates the probable behavior of a branch. Once instructions are decoded and branches are predicted, the instructions are placed into the IRB to be computed as soon as possible.

<sup>14</sup>This content is available online at <<http://cnx.org/content/m33677/1.3/>>.

## Post-RISC pipeline

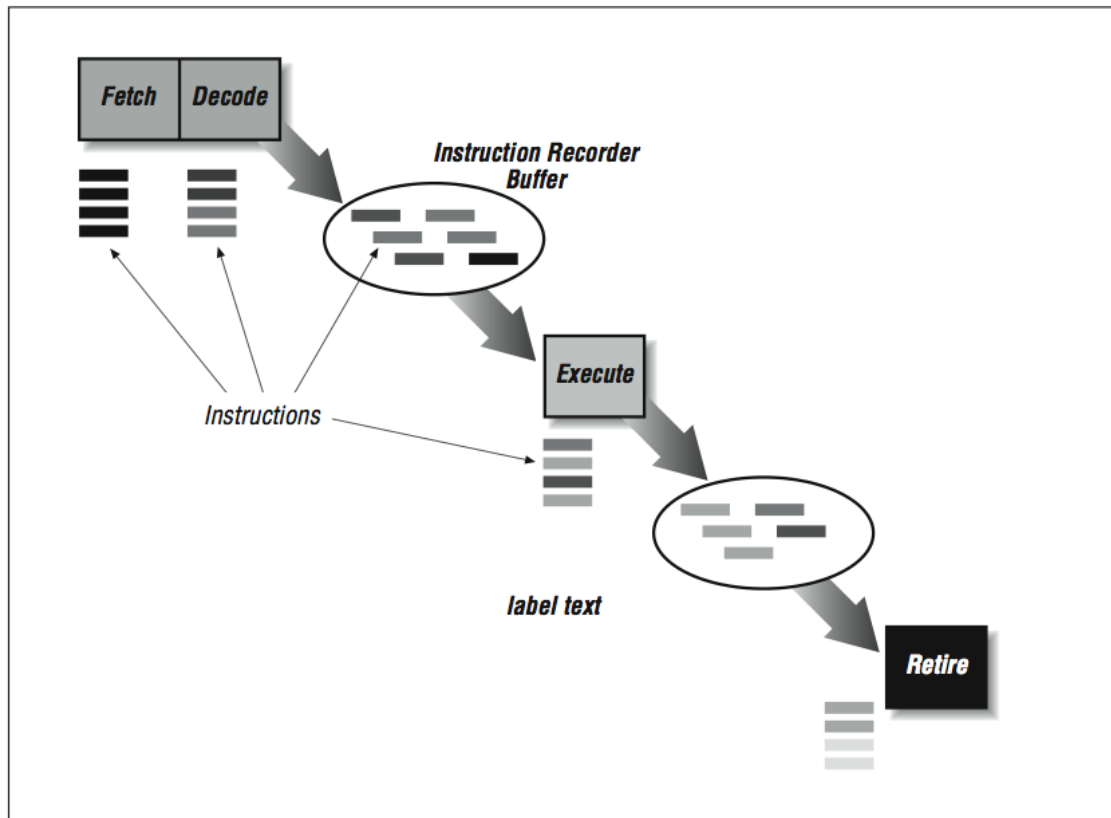


Figure 5.8

The IRB holds up to 60 or so instructions that are waiting to execute for one reason or another. In a sense, the fetch and decode/predict phases operate until the buffer fills up. Each time the decode unit predicts a branch, the following instructions are marked with a different indicator so they can be found easily if the prediction turns out to be wrong. Within the buffer, instructions are allowed to go to the computational units when the instruction has all of its operand values. Because the instructions are computing results without being executed, any instruction that has its input values and an available computation unit can be computed. The results of these computations are stored in extra registers not visible to the programmer called *rename registers*. The processor allocates rename registers, as they are needed for instructions being computed.

The execution units may have one or more pipeline stages, depending on the type of the instruction. This part looks very much like traditional superscalar RISC processors. Typically up to four instructions can begin computation from the IRB in any cycle, provided four instructions are available with input operands and there are sufficient computational units for those instructions.

Once the results for the instruction have been computed and stored in a rename register, the instruction must wait until the preceding instructions finish so we know that the instruction actually executes. In addition to the computed results, each instruction has flags associated with it, such as exceptions. For

example, you would not be happy if your program crashed with the following message: “Error, divide by zero. I was precomputing a divide in case you got to the instruction to save some time, but the branch was mispredicted and it turned out that you were never going to execute that divide anyway. I still had to blow you up though. No hard feelings? Signed, the post-RISC CPU.” So when a speculatively computed instruction divides by zero, the CPU must simply store that fact until it knows the instruction will execute and at that moment, the program can be legitimately crashed.

If a branch does get mispredicted, a lot of bookkeeping must occur very quickly. A message is sent to all the units to discard instructions that are part of all control flow paths beyond the incorrect branch.

Instead of calling the last phase of the pipeline “writeback,” it’s called “retire.” The retire phase is what “executes” the instructions that have already been computed. The retire phase keeps track of the instruction execution order and retires the instructions in program order, posting results from the rename registers to the actual registers and raising exceptions as necessary. Typically up to four instructions can be retired per cycle.

So the post-RISC pipeline is actually three pipelines connected by two buffers that allow instructions to be processed out of order. However, even with all of this speculative computation going on, the retire unit forces the processor to appear as a simple RISC processor with predictable execution and interrupts.

### 5.1.7 Closing Notes<sup>15</sup>

Congratulations for reaching the end of a long chapter! We have talked a little bit about old computers, CISC, RISC, post-RISC, and EPIC, and mentioned supercomputers in passing. I think it’s interesting to observe that RISC processors are a branch off a long-established tree. Many of the ideas that have gone into RISC designs are borrowed from other types of computers, but none of them evolved into RISC — RISC started at a discontinuity. There were hints of a RISC revolution (the CDC 6600 and the IBM 801 project) but it really was forced on the world (for its own good) by CPU designers at Berkeley and Stanford in the 1980s.

As RISC has matured, there have been many improvements. Each time it appears that we have reached the limit of the performance of our microprocessors there is a new architectural breakthrough improving our single CPU performance. How long can it continue? It is clear that as long as competition continues, there is significant performance headroom using the out-of-order execution as the clock rates move from a typical 200 MHz to 500+ MHz. DEC’s Alpha 21264 is planned to have four-way out-of-order execution at 500 MHz by 1998. As of 1998, vendors are beginning to reveal their plans for processors clocked at 1000 MHz or 1 GHz.

Unfortunately, developing a new processor is a very expensive task. If enough companies merge and competition diminishes, the rate of innovation will slow. Hopefully we will be seeing four processors on a chip, each 16-way out-of-order superscalar, clocked at 1 GHz for \$200 before we eliminate competition and let the CPU designers rest on their laurels. At that point, scalable parallel processing will suddenly become interesting again.

How will designers tackle some of the fundamental architectural problems, perhaps the largest being memory systems? Even though the post-RISC architecture and the EPIC alleviate the latency problems somewhat, the memory bottleneck will always be there. The good news is that even though memory performance improves more slowly than CPU performance, memory system performance does improve over time. We’ll look next at techniques for building memory systems.

As discussed in Section , the exercises that come at the end of most chapters in this book are not like the exercises in most engineering texts. These exercises are mostly thought experiments, without well-defined answers, designed to get you thinking about the hardware on your desk.

---

<sup>15</sup>This content is available online at <<http://cnx.org/content/m33683/1.3/>>.

### 5.1.8 Exercises<sup>16</sup>

#### Exercise 5.1.8.1

Speculative execution is safe for certain types of instructions; results can be discarded if it turns out that the instruction shouldn't have executed. Floating-point instructions and memory operations are two classes of instructions for which speculative execution is trickier, particularly because of the chance of generating exceptions. For instance, dividing by zero or taking the square root of a negative number causes an exception. Under what circumstances will a speculative memory reference cause an exception?

#### Exercise 5.1.8.2

Picture a machine with floating-point pipelines that are 100 stages deep (that's ridiculously deep), each of which can deliver a new result every nanosecond. That would give each pipeline a peak throughput rate of 1 Gflop, and a worst-case throughput rate of 10 Mflops. What characteristics would a program need to have to take advantage of such a pipeline?

## 5.2 Appendix B: Looking at Assembly Language

### 5.2.1 Assembly Language<sup>17</sup>

In this appendix, we take a look at the assembly language produced by a number of different compilers on a number of different architectures. In this survey we revisit some of the issues of CISC versus RISC, and the strengths and weaknesses of different architectures.

For this survey, two roughly identical segments of code were used. The code was a relatively long loop adding two arrays and storing the result in a third array. The loops were written both in FORTRAN and C.

The FORTRAN loop was as follows:

```
SUBROUTINE ADDEM(A,B,C,N)
REAL A(10000),B(10000),C(10000)
INTEGER N,I
DO 10 I=1,N
  A(I) = B(I) + C(I)
ENDDO
END
```

The C version was:

```
for(i=0;i<n;i++) a[i] = b[i] + c[i];
```

We have gathered these examples over the years from a number of different compilers, and the results are not particularly scientific. This is not intended to review a particular architecture or compiler version, but rather just to show an example of the kinds of things you can learn from looking at the output of the compiler.

<sup>16</sup>This content is available online at <http://cnx.org/content/m33682/1.3/>.

<sup>17</sup>This content is available online at <http://cnx.org/content/m33787/1.3/>.

### 5.2.1.1 Intel 8088

The Intel 8088 processor used in the original IBM Personal Computer is a very traditional CISC processing system with features severely limited by its transistor count. It has very few registers, and the registers generally have rather specific functions. To support a large memory model, it must set its segment register leading up to each memory operation. This limitation means that every memory access takes a minimum of three instructions. Interestingly, a similar pattern occurs on RISC processors.

You notice that at one point, the code moves a value from the `ax` register to the `bx` register because it needs to perform another computation that can only be done in the `ax` register. Note that this is only an integer computation, as the Intel

```

    mov     word ptr -2[bp],0           # bp is I
$11:
    mov     ax,word ptr -2[bp]         # Load I
    cmp     ax,word ptr 18[bp]        # Check I>=N
    bge     $10
    shl     ax,1                       # Multiply I by 2
    mov     bx,ax                     # Done - now move to bx
    add     bx,word ptr 10[bp]         # bx = Address of B + Offset
    mov     es,word ptr 12[bp]        # Top part of address
    mov     ax,es: word ptr [bx]      # Load B(i)
    mov     bx,word ptr -2[bp]        # Load I
    shl     bx,1                       # Multiply I by 2
    add     bx,word ptr 14[bp]         # bx = Address of C + Offset
    mov     es,word ptr 16[bp]        # Top part of address
    add     ax,es: word ptr [bx]      # Load C(I)
    mov     bx,word ptr -2[bp]        # Load I
    shl     bx,1                       # Multiply I by 2
    add     bx,word ptr 6[bp]         # bx = Address of A + Offset
    mov     es,word ptr 8[bp]         # Top part of address
    mov     es: word ptr [bx],ax      # Store
$9:
    inc     word ptr -2[bp]           # Increment I in memory
    jmp     $11
$10:

```

Because there are so few registers, the variable `I` is kept in memory and loaded several times throughout the loop. The `inc` instruction at the end of the loop actually updates the value in memory. Interestingly, at the top of the loop, the value is then reloaded from memory.

In this type of architecture, the available registers put such a strain on the flexibility of the compiler, there is often not much optimization that is practical.

### 5.2.1.2 Motorola MC68020

In this section, we examine another classic CISC processor, the Motorola MC68020, which was used to build Macintosh computers and Sun workstations. We happened to run this code on a BBN GP-1000 Butterfly parallel processing system made up of 96 MC68020 processors.

The Motorola architecture is relatively easy to program in assembly language. It has plenty of 32-bit registers, and they are relatively easy to use. It has a CISC instruction set that keeps assembly language programming quite simple. Many instructions can perform multiple operations in a single instruction.

We use this example to show a progression of optimization levels, using a f77 compiler on a floating-point version of the loop. Our first example is with no optimization:

```

L5:                                     ! Note d0 contains the value I
      movl    d0,L13                    ! Store I to memory if loop ends
      lea    a1@(-4),a0                 ! a1 = address of B
      fmoves a0@(0,d0:1:4),fp0         ! Load of B(I)
      lea    a3@(-4),a0                 ! a3 = address of C
      fadds  a0@(0,d0:1:4),fp0         ! Load of C(I) (And Add)
      lea    a2@(-4),a0                 ! a2 = address of A
      fmoves fp0,a0@(0,d0:1:4)         ! Store of A(I)
      addql  #1,d0                      ! Increment I
      subql  #1,d1                      ! Decrement "N"
      tstl   d1
      bnes   L5

```

The value for *I* is stored in the *d0* register. Each time through the loop, it's incremented by 1. At the same time, register *d1* is initialized to the value for *N* and decremented each time through the loop. Each time through the loop, *I* is stored into memory, so the proper value for *I* ends up in memory when the loop terminates. Registers *a1*, *a2*, and *a3* are preloaded to be the first address of the arrays *B*, *A*, and *C* respectively. However, since FORTRAN arrays begin at 1, we must subtract 4 from each of these addresses before we can use *I* as the offset. The *lea* instructions are effectively subtracting 4 from one address register and storing it in another.

The following instruction performs an address computation that is almost a one-to-one translation of an array reference:

```
fmoves a0@(0,d0:1:4),fp0 ! Load of B(I)
```

This instruction retrieves a floating-point value from the memory. The address is computed by first multiplying *d0* by 4 (because these are 32-bit floating-point numbers) and adding that value to *a0*. As a matter of fact, the *lea* and *fmoves* instructions could have been combined as follows:

```
fmoves a1@(-4,d0:1:4),fp0 ! Load of B(I)
```

To compute its memory address, this instruction multiplies *d0* by 4, adds the contents of *a1*, and then subtracts 4. The resulting address is used to load 4 bytes into floating-point register *fp0*. This is almost a literal translation of fetching *B(I)*. You can see how the assembly is set up to track high-level constructs.

It is almost as if the compiler were “trying” to show off and make use of the nifty assembly language instructions.

Like the Intel, this is not a load-store architecture. The *fadds* instruction adds a value from memory to a value in a register (*fp0*) and leaves the result of the addition in the register. Unlike the Intel 8088, we



have enough registers to store quite a few of the values used throughout the loop (I, N, the address of A, B, and C) in registers to save memory operations.

#### 5.2.1.2.1 C on the MC68020

In the next example, we compiled the C version of the loop with the normal optimization (-O) turned on. We see the C perspective on arrays in this code. C views arrays as extensions to pointers in C; the loop index advances as an offset from a pointer to the beginning of the array:

```

! d3 = I
! d1 = Address of A
! d2 = Address of B
! d0 = Address of C
! a6@(20) = N
    moveq    #0,d3           ! Initialize I
    bras    L5             ! Jump to End of the loop
L1:   movl    d3,a1         ! Make copy of I
    movl    a1,d4         ! Again
    asll    #2,d4         ! Multiply by 4 (word size)
    movl    d4,a1         ! Put back in an address register
    fmoves  a1@(0,d2:1),fp0 ! Load B(I)
    movl    a6@(16),d0     ! Get address of C
    fadds   a1@(0,d0:1),fp0 ! Add C(I)
    fmoves  fp0,a1@(0,d1:1) ! Store into A(I)
    addql   #1,d3         ! Increment I
L5:   cml    a6@(20),d3
    bits    L1

```

We first see the value of I being copied into several registers and multiplied by 4 (using a left shift of 2, strength reduction). Interestingly, the value in register a1 is I multiplied by 4. Registers d0, d1, and d2 are the addresses of C, B, and A respectively. In the load, add, and store, a1 is the base of the address computation and d0, d1, and d2 are added as an offset to a1 to compute each address.

This is a simplistic optimization that is primarily trying to maximize the values that are kept in registers during loop execution. Overall, it's a relatively literal translation of the C language semantics from C to assembly. In many ways, C was designed to generate relatively efficient code without requiring a highly sophisticated optimizer.

#### 5.2.1.2.2 More optimization

In this example, we are back to the FORTRAN version on the MC68020. We have compiled it with the highest level of optimization (-OLM) available on this compiler. Now we see a much more aggressive approach to the loop:

```

! a0 = Address of C(I)
! a1 = Address of B(I)
! a2 = Address of A(I)

```

```

L3:
    fmoves    a1@,fp0          ! Load B(I)
    fadds     a0@,fp0          ! Add C(I)
    fmoves    fp0,a2@         ! Store A(I)
    addql     #4,a0            ! Advance by 4
    addql     #4,a1            ! Advance by 4
    addql     #4,a2            ! Advance by 4
    subql     #1,d0            ! Decrement I
    tstl      d0
    bnes     L3

```

First off, the compiler is smart enough to do all of its address adjustment outside the loop and store the adjusted addresses of A, B, and C in registers. We do the load, add, and store in quick succession. Then we advance the array addresses by 4 and perform the subtraction to determine when the loop is complete.

This is very tight code and bears little resemblance to the original FORTRAN code.

### 5.2.1.3 SPARC Architecture

These next examples were performed using a SPARC architecture system using FORTRAN. The SPARC architecture is a classic RISC processor using load-store access to memory, many registers and delayed branching. We first examine the code at the lowest optimization:

```

.L18:
    ! Top of the loop
    ld        [%fp-4],%12      ! Address of B
    sethi     %hi(GPB.addem.i),%10 ! Address of I in %10
    or        %10,%lo(GPB.addem.i),%10
    ld        [%10+0],%10      ! Load I
    sll       %10,2,%11        ! Multiply by 4
    add       %12,%11,%10      ! Figure effective address of B(I)
    ld        [%10+0],%f3      ! Load B(I)
    ld        [%fp-8],%12      ! Address of C
    sethi     %hi(GPB.addem.i),%10 ! Address of I in %10
    or        %10,%lo(GPB.addem.i),%10
    ld        [%10+0],%10      ! Load I
    sll       %10,2,%11        ! Multiply by 4
    add       %12,%11,%10      ! Figure effective address of B(I)
    ld        [%10+0],%f2      ! Load C(I)
    fadds     %f3,%f2,%f2      ! Do the Floating Point Add
    ld        [%fp-12],%12     ! Address of A
    sethi     %hi(GPB.addem.i),%10 ! Address of i in %10
    or        %10,%lo(GPB.addem.i),%10
    ld        [%10+0],%10      ! Load I
    sll       %10,2,%11        ! Multiply by 4
    add       %12,%11,%10      ! Figure effective address of A(I)
    st        %f2,[%10+0]      ! Store A(I)
    sethi     %hi(GPB.addem.i),%10 ! Address of i in %10
    or        %10,%lo(GPB.addem.i),%10
    ld        [%10+0],%10      ! Load I
    add       %10,1,%11        ! Increment I

```

```

sethi  %hi(GPB.addem.i),%10  ! Address of I in %10
or     %10,%lo(GPB.addem.i),%10
st     %11,[%10+0]           ! Store I
sethi  %hi(GPB.addem.i),%10  ! Address of I in %10
or     %10,%lo(GPB.addem.i),%10
ld     [%10+0],%11           ! Load I
ld     [%fp-20],%10          ! Load N
cmp    %11,%10               ! Compare
ble    .L18
nop                                ! Branch Delay Slot

```

This is some pretty poor code. We don't need to go through it line by line, but there are a few quick observations we can make. The value for *I* is loaded from memory five times in the loop. The address of *I* is computed six times throughout the loop (each time takes two instructions). There are no tricky memory addressing modes, so multiplying *I* by 4 to get a byte offset is done explicitly three times (at least they use a shift). To add insult to injury, they even put a NO-OP in the branch delay slot.

One might ask, "Why do they ever generate code this bad?" Well, it's not because the compiler isn't capable of generating efficient code, as we shall see below. One explanation is that in this optimization level, it simply does a one-to-one translation of the tuples (intermediate code) into machine language. You can almost draw lines in the above example and precisely identify which instructions came from which tuples.

One reason to generate the code using this simplistic approach is to guarantee that the program will produce the correct results. Looking at the above code, it's pretty easy to argue that it indeed does exactly what the FORTRAN code does. You can track every single assembly statement directly back to part of a FORTRAN statement.

It's pretty clear that you don't want to execute this code in a high performance production environment without some more optimization.

### 5.2.1.3.1 Moderate optimization

In this example, we enable some optimization (-O1):

```

save   %sp,-120,%sp         ! Rotate the register window
add    %i0,-4,%o0           ! Address of A(0)
st     %o0,[%fp-12]         ! Store on the stack
add    %i1,-4,%o0           ! Address of B(0)
st     %o0,[%fp-4]          ! Store on the stack
add    %i2,-4,%o0           ! Address of C(0)
st     %o0,[%fp-8]          ! Store on the stack
sethi  %hi(GPB.addem.i),%o0 ! Address of I (top portion)
add    %o0,%lo(GPB.addem.i),%o2 ! Address of I (lower portion)
ld     [%i3],%o0            ! %o0 = N (fourth parameter)
or     %g0,1,%o1            ! %o1 = 1 (for addition)
st     %o0,[%fp-20]         ! store N on the stack
st     %o1,[%o2]            ! Set memory copy of I to 1
ld     [%o2],%o1            ! o1 = I (kind of redundant)
cmp    %o1,%o0              ! Check I > N (zero-trip?)
bg     .L12                 ! Don't do loop at all
nop                                ! Delay Slot
ld     [%o2],%o0            ! Pre-load for Branch Delay Slot

```

```

.L900000110:                ! Top of the loop
    ld    [%fp-4],%o1        ! o1 = Address of B(0)
    sll   %o0,2,%o0         ! Multiply I by 4
    ld    [%o1+%o0],%f2     ! f2 = B(I)
    ld    [%o2],%o0        ! Load I from memory
    ld    [%fp-8],%o1       ! o1 = Address of C(0)
    sll   %o0,2,%o0         ! Multiply I by 4
    ld    [%o1+%o0],%f3     ! f3 = C(I)
    fadds %f2,%f3,%f2      ! Register-to-register add
    ld    [%o2],%o0        ! Load I from memory (not again!)
    ld    [%fp-12],%o1      ! o1 = Address of A(0)
    sll   %o0,2,%o0         ! Multiply I by 4 (yes, again)
    st    %f2,[%o1+%o0]    ! A(I) = f2
    ld    [%o2],%o0        ! Load I from memory
    add   %o0,1,%o0        ! Increment I in register
    st    %o0,[%o2]        ! Store I back into memory
    ld    [%o2],%o0        ! Load I back into a register
    ld    [%fp-20],%o1     ! Load N into a register
    cmp   %o0,%o1         ! I > N ??
    ble,a .L900000110
    ld    [%o2],%o0        ! Branch Delay Slot

```

This is a significant improvement from the previous example. Some loop constant computations (subtracting 4) were hoisted out of the loop. We only loaded I 4 times during a loop iteration. Strangely, the compiler didn't choose to store the addresses of A(0), B(0), and C(0) in registers at all even though there were plenty of registers. Even more perplexing is the fact that it loaded a value from memory immediately after it had stored it from the exact same register!

But one bright spot is the branch delay slot. For the first iteration, the load was done before the loop started. For the successive iterations, the first load was done in the branch delay slot at the bottom of the loop.

Comparing this code to the moderate optimization code on the MC68020, you can begin to get a sense of why RISC was not an overnight sensation. It turned out that an unsophisticated compiler could generate much tighter code for a CISC processor than a RISC processor. RISC processors are always executing extra instructions here and there to compensate for the lack of slick features in their instruction set. If a processor has a faster clock rate but has to execute more instructions, it does not always have better performance than a slower, more efficient processor.

But as we shall soon see, this CISC advantage is about to evaporate in this particular example.

### 5.2.1.3.2 Higher optimization

We now increase the optimization to -O2. Now the compiler generates much better code. It's important you remember that this is the same compiler being used for all three examples.

At this optimization level, the compiler looked through the code sufficiently well to know it didn't even need to rotate the register windows (no save instruction). Clearly the compiler looked at the register usage of the entire routine:

```

! Note, didn't even rotate the register Window
! We just use the %o registers from the caller

```

```

! %o0 = Address of first element of A (from calling convention)
! %o1 = Address of first element of B (from calling convention)
! %o2 = Address of first element of C (from calling convention)
! %o3 = Address of N (from calling convention)

addem_:
    ld      [%o3],%g2          ! Load N
    cmp     %g2,1             ! Check to see if it is <1
    bl     .L77000006         ! Check for zero trip loop
    or     %g0,1,%g1         ! Delay slot - Set I to 1
.L77000003:
    ld      [%o1],%f0         ! Load B(I) First time Only
.L900000109:
    ld      [%o2],%f1         ! Load C(I)
    fadds  %f0,%f1,%f0       ! Add
    add     %g1,1,%g1         ! Increment I
    add     %o1,4,%o1         ! Increment Address of B
    add     %o2,4,%o2         ! Increment Address of C
    cmp     %g1,%g2          ! Check Loop Termination
    st     %f0,[%o0]         ! Store A(I)
    add     %o0,4,%o0         ! Increment Address of A
    ble,a  .L900000109       ! Branch w/ annul
    ld      [%o1],%f0         ! Load the B(I)
.L77000006:
    retl                    ! Leaf Return (No window)
    nop                     ! Branch Delay Slot

```

This is tight code. The registers `o0`, `o1`, and `o2` contain the addresses of the first elements of A, B, and C respectively. They already point to the right value for the first iteration of the loop. The value for I is never stored in memory; it is kept in global register `g1`. Instead of multiplying I by 4, we simply advance the three addresses by 4 bytes each iteration.

The branch delay slots are utilized for both branches. The branch at the bottom of the loop uses the `annul` feature to cancel the following load if the branch falls through.

The most interesting observation regarding this code is the striking similarity to the code and the code generated for the MC68020 at its top optimization level:

```

L3:
    fmoves  a1@,fp0          ! Load B(I)
    fadds  a0@,fp0          ! Add C(I)
    fmoves  fp0,a2@         ! Store A(I)
    addql  #4,a0            ! Advance by 4
    addql  #4,a1            ! Advance by 4
    addql  #4,a2            ! Advance by 4
    subql  #1,d0            ! Decrement I
    tstl   d0
    bnes   L3

```

The two code sequences are nearly identical! For the SPARC, it does an extra load because of its load-store architecture. On the SPARC, I is incremented and compared to N, while on the MC68020, I is decremented and compared to zero.

This aptly shows how the advancing compiler optimization capabilities quickly made the “nifty” features of the CISC architectures rather useless. Even on the CISC processor, the post-optimization code used the simple forms of the instructions because they produce the fastest execution time.

Note that these code sequences were generated on an MC68020. An MC68060 should be able to eliminate the three `addq1` instructions by using post-increment, saving three instructions. Add a little loop unrolling, and you have some very tight code. Of course, the MC68060 was never a broadly deployed workstation processor, so we never really got a chance to take it for a test drive.

#### 5.2.1.4 Convex C-240

This section shows the results of compiling on the Convex C-Series of parallel/vector supercomputers. In addition to their normal registers, vector computers have vector registers that contain up to 256 64-bit elements. These processors can perform operations on any subset of these registers with a single instruction.

It is hard to claim that these vector supercomputers are more RISC or CISC. They have simple lean instruction sets and, hence, are RISC-like. However, they have instructions that implement loops, and so they are somewhat CISC-like.

The Convex C-240 has scalar registers (`s2`), vector registers (`v2`), and address registers (`a3`). Each vector register has 128 elements. The vector length register controls how many of the elements of each vector register are processed by vector instructions. If vector length is above 128, the entire register is processed.

The code to implement our loop is as follows:

```

L4:      mov.w    2,v1           ; Set the Vector length to N
        ld.w    0(a5),v0       ; Load B into Vector Register
        ld.w    0(a2),v1       ; Load C into Vector Register
        add.s   v1,v0,v2       ; Add the vector registers
        st.w    v2,0(a3)       ; Store results into A
        add.w   #-128,s2       ; Decrement "N"
        add.w   #512,a2        ; Advance address for A
        add.w   #512,a3        ; Advance address for B
        add.w   #512,a5        ; Advance address for C
        lt.w    #0,s2          ; Check to see if "N" is < 0
        jbrs.t  L4

```

Initially, the vector length register is set to `N`. We assume that for the first iteration, `N` is greater than 128. The next instruction is a vector load instruction into register `v0`. This loads 128 32-bit elements into this register. The next instruction also loads 128 elements, and the following instruction adds those two registers and places the results into a third vector register. Then the 128 elements in Register `v2` are stored back into memory. After those elements have been processed, `N` is decremented by 128 (after all, we did process 128 elements). Then we add 512 to each of the addresses (4 bytes per element) and loop back up. At some point, during the last iteration, if `N` is not an exact multiple of 128, the vector length register is less than 128, and the vector instructions only process those remaining elements up to `N`.

One of the challenges of vector processors is to allow an instruction to begin executing before the previous instruction has completed. For example, once the load into Register `v1` has partially completed, the processor could actually begin adding the first few elements of `v0` and `v1` while waiting for the rest of the elements of `v1` to arrive. This approach of starting the next vector instruction before the previous vector instruction has completed is called chaining. Chaining is an important feature to get maximum performance from vector processors.

### 5.2.1.5 IBM RS-6000

The IBM RS-6000 is generally credited as the first RISC processor to have cracked the Linpack 100×100 benchmark. The RS-6000 is characterized by strong floating-point performance and excellent memory bandwidth among RISC workstations. The RS-6000 was the basis for IBM’s scalable parallel processor: the IBM-SP1 and SP2.

When our example program is run on the RS-6000, we can see the use of a CISC- style instruction in the middle of a RISC processor. The RS-6000 supports a branch- on-count instruction that combines the decrement, test, and branch operations into a single instruction. Moreover, there is a special register (the count register) that is part of the instruction fetch unit that stores the current value of the counter. The fetch unit also has its own add unit to perform the decrements for this instruction.

These types of features creeping into RISC architectures are occurring because there is plenty of chip space for them. If a wide range of programs can run faster with this type of instruction, it’s often added.

The assembly code on the RS-6000 is:

```

ai      r3,r3,-4          # Address of A(0)
ai      r5,r5,-4          # Address of B(0)
ai      r4,r4,-4          # Address of C(0)
bcr     B0_IF_NOT,CRO_GT
mtspr   CTR,r6            # Store in the Counter Register
__L18:
lfsu    fp0,4(r4)         # Pre Increment Load
lfsu    fp1,4(r5)         # Pre Increment Load
fa      fp0,fp0,fp1
frsp    fp0,fp0
stfsu   fp0,4(r3)         # Pre-increment Store
bc      B0_dCTR_NZERO,CRO_LT,__L18 # Branch on Counter

```

The RS-6000 also supports a memory addressing mode that can add a value to its address register before using the address register. Interestingly, these two features (branch on count and pre-increment load) eliminate several instructions when compared to the more “pure” SPARC processor. The SPARC processor has 10 instructions in the body of its loop, while the RS-6000 has 6 instructions.

The advantage of the RS-6000 in this particular loop may be less significant if both processors were two-way superscalar. The instructions were eliminated on the RS-6000 were integer instructions. On a two-way superscalar processor, those integer instructions may simply execute on the integer units while the floating-point units are busy performing the floating-point computations.

### 5.2.1.6 Conclusion

In this section, we have attempted to give you some understanding of the variety of assembly language that is produced by compilers at different optimization levels and on different computer architectures. At some point during the tuning of your code, it can be quite instructive to take a look at the generated assembly language to be sure that the compiler is not doing something really stupid that is slowing you down.

Please don’t be tempted to rewrite portions in assembly language. Usually any problems can be solved by cleaning up and streamlining your high-level source code and setting the proper compiler flags.

It is interesting that very few people actually learn assembly language any more. Most folks find that the compiler is the best teacher of assembly language. By adding the appropriate option (often `-S`), the compiler starts giving you lessons. I suggest that you don’t print out all of the code. There are many pages of useless variable declarations, etc. For these examples, I cut out all of that useless information. It is best

to view the assembly in an editor and only print out the portion that pertains to the particular loop you are tuning.



## Index of Keywords and Terms

**Keywords** are listed by the section with that keyword (page numbers are in parentheses). Keywords do not necessarily appear in the text of the page. They are merely associated with that section. *Ex.* apples, § 1.1 (1) **Terms** are referenced by the page they appear on. *Ex.* apples, 1

- A** access patterns, § 2.4.7(111), § 2.4.9(114)  
 accuracy, § 1.2.6(36)  
 active virtual memory, § 2.2.5(81)  
 advanced optimization, § 2.1.5(53)  
 algebra, § 1.2.4(33), § 1.2.5(34)  
 ambiguous pointers, § 2.3.1(85)  
 ambiguous references, § 3.1.5(140)  
 Amdahl's law, § 2.2.3(68)  
 antidependencies, § 3.1.4(135)  
 array sections, § 4.1.4(196)  
 array-valued, § 4.1.4(196)  
 assembly language, § 5.2.1(256)  
 assertions, § 3.3.3(177)  
 assignment primitive, § 4.1.4(196)  
 associative transformation, § 1.2.4(33), § 1.2.5(34)  
 automatic parallelization, § 3.3.2(170)  
 average memory utilization, § 2.2.2(63)
- B** back edge, § 3.1.3(133)  
 backwards dependencies, § 3.1.4(135)  
 bandwidth, § 1.1.7(20)  
 bank stall, § 1.1.7(20)  
 basic block, § 2.2.4(79)  
 basic block profiler, § 2.2.4(79)  
 basic blocks, § 2.1.4(49)  
 basic optimization, § 2.1.5(53)  
 benchmark, § 2.2.1(62)  
 benchmarks, § (3)  
 bin, § 2.2.2(63)  
 binary coded decimal, § 1.2.3(29)  
 block, § 2.4.9(114)  
 block reference, § 2.4.9(114)  
 blocked I/O, § 2.2.2(63)  
 blocking, § 2.4.1(101)  
 branches, § 2.3.3(90), § 2.3.4(90), § 2.4.4(104)  
 broadcast/gather, § 4.2.3(225)  
 buses, § 3.2.2(146)  
 bypassing cache, § 1.1.7(20)
- C** C++, § 2.1.3(48)  
 cache, § 2.2.6(84)  
 cache coherency protocol, § 3.2.2(146)  
 cache organization, § 1.1.5(13)  
 caches, § 1.1.2(8), § 1.1.4(9)  
 caching, § 1.1.4(9)  
 CISC, § 5.1.2(239)  
 clutter, § 2.3.5(95), § 2.3.6(100), § 2.3.7(100)  
 coherency, § 3.2.2(146)  
 common subexpression, § 2.1.6(54)  
 common subexpression elimination, § 2.3.5(95)  
 compiler, § 2.1.1(47), § 2.1.3(48), § 2.1.4(49), § 2.1.6(54), § 2.1.7(61), § 2.1.8(61), § 3.1.6(143), § 3.1.7(143), § 3.3.3(177)  
 compiler flexibility, § 3.1.1(123)  
 compilers, § 2.1.2(47), § 2.3.3(90)  
 complex instruction set computer, § 5.1.2(239)  
 computer architecture, § (3)  
 constant expression, § 2.1.6(54)  
 constant folding, § 2.1.6(54)  
 control dependency, § 3.1.2(124)  
 copyback, § 3.2.2(146)  
 CPU speed, § 1.1.1(7)  
 CPU time, § 2.2.2(63)  
 critical sections, § 3.2.4(163)  
 crossbars, § 3.2.2(146)
- D** data, § 3.1.2(124)  
 data dependency, § 3.1.2(124)  
 data flow analysis, § 2.1.5(53), § 3.1.2(124), § 3.3.4(188)  
 data placement, § 3.2.2(146)  
 data type conversion, § 2.3.5(95)  
 data-parallel, § 4.1.2(191), § 4.1.5(204)  
 dead code, § 2.1.6(54)  
 decomposing computations, § 4.1.5(204)  
 decomposing data, § 4.1.5(204)  
 decomposing task, § 4.1.5(204)  
 dependencies, § 3.1.3(133)  
 dependency distance, § 3.1.5(140)  
 direct mapping, § 1.1.5(13)  
 direct-mapped cache, § 1.1.5(13)  
 directed acyclic graph, § 3.1.2(124)  
 disk I/O, § 2.2.5(81)

- division by zero, § 1.2.10(43)
- DRAM, § 1.1.2(8), § 1.1.7(20)
- dynamic random access memory, § 1.1.2(8)
- dynamic scheduling, § 3.3.3(177)
- E** elapsed time, § 2.2.2(63)
- etime, § 2.2.2(63), § 2.2.3(68), § 2.2.7(84)
- F** fat loops, § 2.4.4(104)
- fences, § 2.3.1(85)
- fixed point, § 1.2.3(29)
- flat profile, § 2.2.3(68)
- float, § 2.3.5(95)
- floating-point analysis, § 2.1.5(53)
- floating-point number, § 1.2.2(29), § 1.2.3(29), § 1.2.9(42)
- floating-point numbers, § 1.2.1(29), § 1.2.4(33), § 1.2.5(34), § 1.2.6(36), § 1.2.7(37), § 1.2.8(40), § 1.2.10(43), § 1.2.11(43), § 1.2.12(44), § 1.2.13(45)
- flop measurements, § 2.2.6(84)
- flow dependencies, § 3.1.4(135)
- flow of control, § 3.1.2(124)
- fork-join programming, § 3.2.4(163)
- FORTRAN, § 1.1.2(8), § 1.2.11(43), § 2.1.2(47), § 2.1.3(48), § 2.1.6(54), § 2.3.2(86), § 2.3.5(95), § 2.4.3(103), § 2.4.5(107), § 2.4.7(111), § 2.4.9(114), § 2.4.11(120), § 2.4.12(120), § 3.1.5(140), § 3.1.7(143), § 3.2.3(151), § 3.3.1(170), § 3.3.3(177), § 4.1.1(191), § 4.1.3(195), § 4.1.7(212), § 4.2.1(213), § 4.2.3(225), § 5.2.1(256)
- FORTRAN 77, § 4.1.4(196), § 4.2.4(237)
- FORTRAN 90, § 4.1.4(196), § 4.1.5(204), § 4.1.6(206), § 4.2.4(237)
- free real memory, § 2.2.5(81)
- fully associative cache, § 1.1.5(13)
- G** gradual underflow, § 1.2.9(42)
- granularity, § 3.1.1(123)
- greatest common divisor, § 1.2.3(29)
- guard digits, § 1.2.6(36)
- H** heat flow, § 4.1.2(191), § 4.1.4(196), § 4.1.6(206), § 4.2.2(213), § 4.2.3(225)
- High performance computing, § (3), § 4.1.1(191), § 4.1.2(191), § 4.1.3(195), § 4.1.4(196), § 4.1.7(212), § 5.1.1(239), § 5.1.2(239), § 5.1.3(241), § 5.1.4(250), § 5.1.5(252), § 5.1.6(253), § 5.1.7(255), § 5.1.8(255), § 5.2.1(256)
- high performance FORTRAN, § 4.1.5(204), § 4.1.6(206), § 4.1.7(212)
- hoisting, § 2.3.5(95)
- HPF control structures, § 4.1.6(206)
- HPF intrinsic structures, § 4.1.6(206)
- I** IEEE, § 1.2.7(37)
- IEEE operations, § 1.2.8(40)
- IND array, § 1.1.4(9)
- indirect memory references, § 2.3.1(85)
- induction variable simplification, § 2.1.6(54)
- induction variables, § 2.1.6(54)
- inexact operation, § 1.2.10(43)
- inlining, § 2.3.2(86)
- inner loop, § 2.4.5(107)
- instruction set, § 5.1.2(239)
- instruction-level parallelism, § 3.1.1(123)
- Intel 8088, § 5.2.1(256)
- interchange, § 2.4.8(113)
- intermediate language, § 2.1.4(49)
- interprocedural analysis, § 2.1.5(53), § 3.3.3(177)
- invalid operations, § 1.2.10(43)
- invariant, § 2.3.4(90)
- iteration scheduling, § 3.3.3(177)
- K** kernel mode, § 2.2.2(63)
- L** language, § 2.1.3(48), § 4.1.7(212)
- language support, § 4.1.1(191), § 4.1.6(206)
- large caches, § 1.1.7(20)
- latency, § 1.1.7(20)
- loop, § 2.3.7(100), § 3.1.3(133), § 3.3.5(189), § 4.1.2(191)
- loop conditioning, § 2.3.7(100)
- loop index dependent, § 2.3.4(90)
- loop interchange, § 2.4.1(101), § 2.4.6(109)
- loop nest, § 2.4.6(109)
- loop nests, § 2.4.5(107)
- loop optimization, § 2.4.4(104), § 2.4.5(107)
- loop optimization, § 2.4.2(102), § 2.4.3(103), § 2.4.6(109), § 2.4.7(111), § 2.4.8(113), § 2.4.9(114), § 2.4.10(119)
- loop optimizations, § 2.4.11(120), § 2.4.12(120)
- loop unrolling, § 2.4.1(101), § 2.4.3(103), § 2.4.4(104), § 2.4.5(107)
- loop-carried dependencies, § 3.1.4(135)
- loop-invariant expression, § 2.1.6(54)
- loops, § 2.2.3(68), § 2.3.4(90), § 2.4.11(120), § 2.4.12(120), § 3.1.4(135)
- M** macros, § 2.3.2(86)
- malloc, § 3.1.5(140)
- mantissa/exponent, § 1.2.3(29)
- mapping, § 1.1.5(13)

- matrix manipulations, § 4.1.4(196)
  - memory, § (3), § 1.1.1(7), § 1.1.2(8), § 1.1.3(9), § 1.1.4(9), § 1.1.6(17), § 1.1.7(20), § 1.1.8(27), § 1.1.9(28), § 2.4.7(111), § 2.4.9(114), § 2.4.10(119)
  - memory access time, § 1.1.2(8)
  - memory cycle time, § 1.1.2(8)
  - memory hierarchy, § 1.1.2(8)
  - memory reference optimization, § 2.4.1(101)
  - message-passing, § 4.2.1(213)
  - message-passing environments, § 4.2.2(213), § 4.2.3(225), § 4.2.4(237)
  - message-passing interface, § 4.2.1(213), § 4.2.3(225)
  - microprocessors, § (3)
  - mixed stride, § 2.4.9(114)
  - mixed type, § 2.3.5(95)
  - move computation, § 2.4.6(109)
  - multiprocessing, § 3.2.2(146)
  - multiprocessors, § 3.2.1(145), § 3.2.3(151), § 3.2.4(163), § 3.2.5(166), § 3.2.6(168), § 3.2.7(169), § 3.3.1(170), § 3.3.2(170), § 3.3.3(177), § 3.3.4(188), § 3.3.5(189)
  - multithreading, § 3.2.3(151), § 3.2.4(163)
- N**
- nested loop optimization, § 2.4.1(101)
  - no dependencies, § 3.3.3(177)
  - no equivalence assertion, § 3.3.3(177)
  - no optimization, § 2.1.5(53)
  - numerical analysis, § 1.2.1(29)
- O**
- on-processor distribution, § 4.1.6(206)
  - operation counting, § 2.4.2(102)
  - optimization, § 2.1.3(48), § 2.1.6(54), § 2.1.7(61), § 2.1.8(61), § 3.1.6(143), § 3.1.7(143), § 5.2.1(256)
  - optimization levels, § 2.1.5(53)
  - optimize, § 2.1.4(49)
  - optimizing compiler, § 2.1.1(47)
  - optimizing compilers, § 2.1.2(47)
  - out-of-core solutions, § 2.4.1(101), § 2.4.10(119)
  - outer loop, § 2.4.5(107)
  - output dependencies, § 3.1.4(135)
  - overflow to infinity, § 1.2.10(43)
- P**
- page faults, § 1.1.6(17), § 2.2.2(63), § 2.2.5(81)
  - page tables, § 1.1.6(17)
  - pages, § 1.1.6(17)
  - parallel, § 4.1.4(196)
  - parallel languages, § 4.1.3(195)
  - parallel loops, § 3.3.3(177)
  - parallel programming, § 3.3.5(189)
  - parallel region, § 3.3.3(177)
  - parallel virtual machine, § 4.2.1(213), § 4.2.2(213)
  - parallelism, § 2.3.6(100), § 2.3.7(100), § 3.1.1(123), § 3.1.4(135), § 3.1.5(140), § 3.1.6(143), § 3.1.7(143)
  - parallelization, § 3.3.3(177)
  - percent utilization, § 2.2.2(63)
  - permutation, § 3.1.5(140)
  - permutation assertion, § 3.3.3(177)
  - pipelined, § 3.1.1(123)
  - pixie, § 2.2.4(79)
  - pointer chasing, § 1.1.4(9)
  - pointers, § 2.1.3(48)
  - Post-RISC, § 5.1.6(253)
  - preconditioning loop, § 2.4.3(103)
  - procedure calls, § 2.4.4(104)
  - profilers, § 2.2.4(79)
  - profiling, § 2.2.1(62), § 2.2.2(63), § 2.2.3(68), § 2.2.4(79), § 2.2.5(81), § 2.2.6(84), § 2.2.7(84), § 2.4.11(120), § 2.4.12(120)
  - program clutter, § 2.3.6(100), § 2.3.7(100)
  - programming, § 3.3.1(170), § 3.3.2(170), § 3.3.3(177), § 3.3.4(188), § 3.3.5(189), § 4.1.6(206)
  - propagation, § 2.1.6(54)
- Q**
- quadruples, § 2.1.4(49)
- R**
- rational numbers, § 1.2.2(29), § 1.2.3(29)
  - reality, § 1.2.2(29)
  - reduced instruction set computer, § 5.1.5(252), § 5.1.6(253)
  - reduced instruction set computing, § 5.1.3(241), § 5.1.4(250)
  - reduction operations, § 3.3.2(170)
  - reductions, § 3.1.4(135)
  - registers, § 1.1.2(8), § 1.1.3(9)
  - relation assertion, § 3.3.3(177)
  - representation, § 1.2.3(29)
  - RISC, § 2.1.7(61), § 2.1.8(61), § 5.1.3(241), § 5.1.4(250), § 5.1.5(252)
  - runtime profile analysis, § 2.1.5(53)
- S**
- scale parallel computing, § 3.2.3(151)
  - set-associative cache, § 1.1.5(13)
  - shape conformance, § 4.1.4(196)
  - shared-memory, § 3.2.1(145), § 3.2.3(151), § 3.2.4(163), § 3.2.5(166), § 3.2.6(168), § 3.2.7(169), § 3.3.1(170), § 3.3.2(170), § 3.3.3(177), § 3.3.4(188), § 3.3.5(189)

- shared-memory space, § 2.2.2(63)
  - significand, § 1.2.8(40)
  - sinking, § 2.3.5(95)
  - size, § 2.2.5(81)
  - snooping, § 3.2.2(146)
  - software, § 3.2.3(151)
  - SPARC, § 5.2.1(256)
  - spatial locality of reference, § 1.1.4(9)
  - speedup, § 3.3.2(170)
  - SRAM, § 1.1.2(8), § 1.1.4(9), § 1.1.7(20)
  - statement function, § 2.3.2(86)
  - static random access memory, § 1.1.2(8), § 1.1.4(9)
  - streamlining, § 2.3.3(90)
  - strength reduction, § 2.1.6(54)
  - stride, § 2.4.7(111)
  - subroutine calls, § 2.3.1(85), § 2.3.2(86)
  - subroutine profiling, § 2.2.3(68)
  - superscalar, § 3.1.1(123)
  - swap area, § 2.2.5(81)
  - swaps, § 2.2.2(63)
  - synchronization, § 3.2.4(163)
  - system time, § 2.2.2(63)
- T**
- tag, § 1.1.5(13)
  - techniques, § 3.2.4(163)
  - temporal locality of reference, § 1.1.4(9)
  - thrashing, § 1.1.5(13)
  - thread, § 3.2.3(151)
  - thread private, § 3.2.3(151)
  - thread-level parallelism, § 3.1.1(123)
  - thread-local variables, § 3.2.3(151)
  - time, § 2.2.2(63)
  - time-based simulation, § 3.2.4(163)
  - timing, § 2.2.1(62), § 2.2.2(63), § 2.2.3(68), § 2.2.4(79), § 2.2.5(81), § 2.2.6(84), § 2.2.7(84), § 2.4.11(120), § 2.4.12(120)
  - translation lookaside buffer, § 1.1.6(17)
  - trip count assertion, § 3.3.3(177)
  - trip counts, § 2.4.4(104)
  - tuning techniques, § 2.3.6(100), § 2.3.7(100)
- U**
- uniform memory access, § 3.2.1(145)
  - unit stride, § 1.1.4(9)
  - user datagram protocols, § 4.2.2(213)
  - user mode, § 2.2.2(63)
  - user time, § 2.2.2(63)
  - user=space thread context switch, § 3.2.3(151)
- V**
- variable renaming, § 2.1.6(54)
  - virtual memory, § 1.1.6(17), § 2.2.5(81)
- W**
- wait states, § 1.1.2(8)
  - wordy tests, § 2.3.1(85)
  - workload, § 2.2.1(62)
  - write-through policy, § 3.2.2(146)
  - writeback, § 3.2.2(146)

## Attributions

Collection: *High Performance Computing*  
Edited by: Charles Severance, Kevin Dowd  
URL: <http://cnx.org/content/col11136/1.5/>  
License: <http://creativecommons.org/licenses/by/3.0/>

Module: "1.0 Introduction to the Connexions Edition"  
Used here as: "Introduction to the Connexions Edition"  
By: Charles Severance  
URL: <http://cnx.org/content/m32709/1.1/>  
Pages: 1-2  
Copyright: Charles Severance  
License: <http://creativecommons.org/licenses/by/3.0/>

Module: "Introduction to High Performance Computing"  
By: Charles Severance, Kevin Dowd  
URL: <http://cnx.org/content/m32676/1.3/>  
Pages: 3-5  
Copyright: Charles Severance, Kevin Dowd  
License: <http://creativecommons.org/licenses/by/3.0/>

Module: "Memory - Introduction"  
Used here as: "Introduction"  
By: Charles Severance, Kevin Dowd  
URL: <http://cnx.org/content/m32733/1.3/>  
Pages: 7-8  
Copyright: Charles Severance, Kevin Dowd  
License: <http://creativecommons.org/licenses/by/3.0/>

Module: "Memory - Memory Technology"  
Used here as: "Memory Technology"  
By: Charles Severance, Kevin Dowd  
URL: <http://cnx.org/content/m32716/1.3/>  
Pages: 8-9  
Copyright: Charles Severance, Kevin Dowd  
License: <http://creativecommons.org/licenses/by/3.0/>

Module: "Memory - Registers"  
Used here as: "Registers"  
By: Charles Severance, Kevin Dowd  
URL: <http://cnx.org/content/m32681/1.3/>  
Page: 9  
Copyright: Charles Severance, Kevin Dowd  
License: <http://creativecommons.org/licenses/by/3.0/>

Module: "Memory - Caches"  
Used here as: "Caches"  
By: Charles Severance, Kevin Dowd  
URL: <http://cnx.org/content/m32725/1.3/>  
Pages: 9-13  
Copyright: Charles Severance, Kevin Dowd  
License: <http://creativecommons.org/licenses/by/3.0/>

Module: "Memory - Cache Organization"  
Used here as: "Cache Organization"  
By: Charles Severance, Kevin Dowd  
URL: <http://cnx.org/content/m32722/1.3/>  
Pages: 13-17  
Copyright: Charles Severance, Kevin Dowd  
License: <http://creativecommons.org/licenses/by/3.0/>

Module: "Memory - Virtual Memory"  
Used here as: "Virtual Memory"  
By: Charles Severance, Kevin Dowd  
URL: <http://cnx.org/content/m32728/1.3/>  
Pages: 17-20  
Copyright: Charles Severance, Kevin Dowd  
License: <http://creativecommons.org/licenses/by/3.0/>

Module: "Memory - Improving Memory Performance"  
Used here as: "Improving Memory Performance"  
By: Charles Severance, Kevin Dowd  
URL: <http://cnx.org/content/m32736/1.3/>  
Pages: 20-27  
Copyright: Charles Severance, Kevin Dowd  
License: <http://creativecommons.org/licenses/by/3.0/>

Module: "Memory - Closing Notes"  
Used here as: "Closing Notes"  
By: Charles Severance, Kevin Dowd  
URL: <http://cnx.org/content/m32690/1.3/>  
Pages: 27-28  
Copyright: Charles Severance, Kevin Dowd  
License: <http://creativecommons.org/licenses/by/3.0/>

Module: "Memory - Exercises"  
Used here as: "Exercises"  
By: Charles Severance, Kevin Dowd  
URL: <http://cnx.org/content/m32698/1.3/>  
Page: 28  
Copyright: Charles Severance, Kevin Dowd  
License: <http://creativecommons.org/licenses/by/3.0/>

Module: "Floating-Point Numbers - Introduction"  
Used here as: "Introduction"  
By: Charles Severance, Kevin Dowd  
URL: <http://cnx.org/content/m32739/1.3/>  
Page: 29  
Copyright: Charles Severance, Kevin Dowd  
License: <http://creativecommons.org/licenses/by/3.0/>

Module: "Floating-Point Numbers - Reality"

Used here as: "Reality"

By: Charles Severance, Kevin Dowd

URL: <http://cnx.org/content/m32741/1.3/>

Page: 29

Copyright: Charles Severance, Kevin Dowd

License: <http://creativecommons.org/licenses/by/3.0/>

Module: "Floating-Point Numbers - Representation"

Used here as: "Representation"

By: Charles Severance, Kevin Dowd

URL: <http://cnx.org/content/m32772/1.3/>

Pages: 29-33

Copyright: Charles Severance, Kevin Dowd

License: <http://creativecommons.org/licenses/by/3.0/>

Module: "Floating-Point Numbers - Effects of Floating-Point Representation"

Used here as: "Effects of Floating-Point Representation"

By: Charles Severance, Kevin Dowd

URL: <http://cnx.org/content/m32755/1.3/>

Pages: 33-34

Copyright: Charles Severance, Kevin Dowd

License: <http://creativecommons.org/licenses/by/3.0/>

Module: "Floating-Point Numbers - More Algebra That Doesn't Work"

Used here as: "More Algebra That Doesn't Work"

By: Charles Severance, Kevin Dowd

URL: <http://cnx.org/content/m32754/1.3/>

Pages: 34-36

Copyright: Charles Severance, Kevin Dowd

License: <http://creativecommons.org/licenses/by/3.0/>

Module: "Floating-Point Numbers - Improving Accuracy Using Guard Digits"

Used here as: "Improving Accuracy Using Guard Digits"

By: Charles Severance, Kevin Dowd

URL: <http://cnx.org/content/m32744/1.3/>

Pages: 36-37

Copyright: Charles Severance, Kevin Dowd

License: <http://creativecommons.org/licenses/by/3.0/>

Module: "Floating-Point Numbers - History of IEEE Floating-Point Format"

Used here as: "History of IEEE Floating-Point Format"

By: Charles Severance, Kevin Dowd

URL: <http://cnx.org/content/m32770/1.3/>

Pages: 37-40

Copyright: Charles Severance, Kevin Dowd

License: <http://creativecommons.org/licenses/by/3.0/>

Module: "Floating-Point Numbers - IEEE Operations"

Used here as: "IEEE Operations"

By: Charles Severance, Kevin Dowd

URL: <http://cnx.org/content/m32756/1.3/>

Pages: 40-42

Copyright: Charles Severance, Kevin Dowd

License: <http://creativecommons.org/licenses/by/3.0/>

Module: "Floating-Point Numbers - Special Values"

Used here as: "Special Values"

By: Charles Severance, Kevin Dowd

URL: <http://cnx.org/content/m32758/1.3/>

Pages: 42-43

Copyright: Charles Severance, Kevin Dowd

License: <http://creativecommons.org/licenses/by/3.0/>

Module: "Floating-Point Numbers - Exceptions and Traps"

Used here as: "Exceptions and Traps"

By: Charles Severance, Kevin Dowd

URL: <http://cnx.org/content/m32760/1.3/>

Page: 43

Copyright: Charles Severance, Kevin Dowd

License: <http://creativecommons.org/licenses/by/3.0/>

Module: "Floating-Point Numbers - Compiler Issues"

Used here as: "Compiler Issues"

By: Charles Severance, Kevin Dowd

URL: <http://cnx.org/content/m32762/1.3/>

Pages: 43-44

Copyright: Charles Severance, Kevin Dowd

License: <http://creativecommons.org/licenses/by/3.0/>

Module: "Floating-Point Numbers - Closing Notes"

Used here as: "Closing Notes"

By: Charles Severance, Kevin Dowd

URL: <http://cnx.org/content/m32768/1.3/>

Pages: 44-45

Copyright: Charles Severance, Kevin Dowd

License: <http://creativecommons.org/licenses/by/3.0/>

Module: "Floating-Point Numbers - Exercises"

Used here as: "Exercises"

By: Charles Severance, Kevin Dowd

URL: <http://cnx.org/content/m32765/1.3/>

Page: 45

Copyright: Charles Severance, Kevin Dowd

License: <http://creativecommons.org/licenses/by/3.0/>



Module: "What a Compiler Does - Introduction"

Used here as: "Introduction"

By: Charles Severance, Kevin Dowd

URL: <http://cnx.org/content/m33690/1.3/>

Page: 47

Copyright: Charles Severance, Kevin Dowd

License: <http://creativecommons.org/licenses/by/3.0/>

Module: "What a Compiler Does - History of Compilers"

Used here as: "History of Compilers"

By: Charles Severance, Kevin Dowd

URL: <http://cnx.org/content/m33686/1.3/>

Pages: 47-48

Copyright: Charles Severance, Kevin Dowd

License: <http://creativecommons.org/licenses/by/3.0/>

Module: "What a Compiler Does - Which Language To Optimize"

Used here as: "Which Language To Optimize"

By: Charles Severance, Kevin Dowd

URL: <http://cnx.org/content/m33687/1.3/>

Pages: 48-49

Copyright: Charles Severance, Kevin Dowd

License: <http://creativecommons.org/licenses/by/3.0/>

Module: "What a Compiler Does - Optimizing Compiler Tour"

Used here as: "Optimizing Compiler Tour"

By: Charles Severance, Kevin Dowd

URL: <http://cnx.org/content/m33694/1.3/>

Pages: 49-53

Copyright: Charles Severance, Kevin Dowd

License: <http://creativecommons.org/licenses/by/3.0/>

Module: "What a Compiler Does - Optimization Levels"

Used here as: "Optimization Levels"

By: Charles Severance, Kevin Dowd

URL: <http://cnx.org/content/m33692/1.3/>

Pages: 53-54

Copyright: Charles Severance, Kevin Dowd

License: <http://creativecommons.org/licenses/by/3.0/>

Module: "What a Compiler Does - Classical Optimizations"

Used here as: "Classical Optimizations"

By: Charles Severance, Kevin Dowd

URL: <http://cnx.org/content/m33696/1.3/>

Pages: 54-61

Copyright: Charles Severance, Kevin Dowd

License: <http://creativecommons.org/licenses/by/3.0/>

Module: "What a Compiler Does - Closing Notes"  
Used here as: "Closing Notes"  
By: Charles Severance, Kevin Dowd  
URL: <http://cnx.org/content/m33699/1.3/>  
Page: 61  
Copyright: Charles Severance, Kevin Dowd  
License: <http://creativecommons.org/licenses/by/3.0/>

Module: "What a Compiler Does - Exercises"  
Used here as: "Exercises"  
By: Charles Severance, Kevin Dowd  
URL: <http://cnx.org/content/m33700/1.3/>  
Pages: 61-62  
Copyright: Charles Severance, Kevin Dowd  
License: <http://creativecommons.org/licenses/by/3.0/>

Module: "Timing and Profiling - Introduction"  
Used here as: "Introduction"  
By: Charles Severance, Kevin Dowd  
URL: <http://cnx.org/content/m33704/1.3/>  
Pages: 62-63  
Copyright: Charles Severance, Kevin Dowd  
License: <http://creativecommons.org/licenses/by/3.0/>

Module: "Timing and Profiling - Timing"  
Used here as: "Timing"  
By: Charles Severance, Kevin Dowd  
URL: <http://cnx.org/content/m33706/1.3/>  
Pages: 63-68  
Copyright: Charles Severance, Kevin Dowd  
License: <http://creativecommons.org/licenses/by/3.0/>

Module: "Timing and Profiling - Subroutine Profiling"  
Used here as: "Subroutine Profiling"  
By: Charles Severance, Kevin Dowd  
URL: <http://cnx.org/content/m33713/1.3/>  
Pages: 68-79  
Copyright: Charles Severance, Kevin Dowd  
License: <http://creativecommons.org/licenses/by/3.0/>

Module: "Timing and Profiling - Basic Block Profilers"  
Used here as: "Basic Block Profilers"  
By: Charles Severance, Kevin Dowd  
URL: <http://cnx.org/content/m33710/1.3/>  
Pages: 79-81  
Copyright: Charles Severance, Kevin Dowd  
License: <http://creativecommons.org/licenses/by/3.0/>

Module: "Timing and Profiling - Virtual Memory"  
Used here as: "Virtual Memory"  
By: Charles Severance, Kevin Dowd  
URL: <http://cnx.org/content/m33712/1.3/>  
Pages: 81-84  
Copyright: Charles Severance, Kevin Dowd  
License: <http://creativecommons.org/licenses/by/3.0/>

Module: "Timing and Profiling - Closing Notes"  
Used here as: "Closing Notes"  
By: Charles Severance, Kevin Dowd  
URL: <http://cnx.org/content/m33714/1.3/>  
Page: 84  
Copyright: Charles Severance, Kevin Dowd  
License: <http://creativecommons.org/licenses/by/3.0/>

Module: "Timing and Profiling - Exercises"  
Used here as: "Exercises"  
By: Charles Severance, Kevin Dowd  
URL: <http://cnx.org/content/m33718/1.3/>  
Pages: 84-85  
Copyright: Charles Severance, Kevin Dowd  
License: <http://creativecommons.org/licenses/by/3.0/>

Module: "Eliminating Clutter - Introduction"  
Used here as: "Introduction"  
By: Charles Severance, Kevin Dowd  
URL: <http://cnx.org/content/m33720/1.3/>  
Pages: 85-86  
Copyright: Charles Severance, Kevin Dowd  
License: <http://creativecommons.org/licenses/by/3.0/>

Module: "Eliminating Clutter - Subroutine Calls"  
Used here as: "Subroutine Calls"  
By: Charles Severance, Kevin Dowd  
URL: <http://cnx.org/content/m33721/1.3/>  
Pages: 86-90  
Copyright: Charles Severance, Kevin Dowd  
License: <http://creativecommons.org/licenses/by/3.0/>

Module: "Eliminating Clutter - Branches"  
Used here as: "Branches"  
By: Charles Severance, Kevin Dowd  
URL: <http://cnx.org/content/m33722/1.3/>  
Page: 90  
Copyright: Charles Severance, Kevin Dowd  
License: <http://creativecommons.org/licenses/by/3.0/>

Module: "Eliminating Clutter - Branches With Loops"

Used here as: "Branches With Loops"

By: Charles Severance, Kevin Dowd

URL: <http://cnx.org/content/m33723/1.3/>

Pages: 90-95

Copyright: Charles Severance, Kevin Dowd

License: <http://creativecommons.org/licenses/by/3.0/>

Module: "Eliminating Clutter - Other Clutter"

Used here as: "Other Clutter"

By: Charles Severance, Kevin Dowd

URL: <http://cnx.org/content/m33724/1.3/>

Pages: 95-100

Copyright: Charles Severance, Kevin Dowd

License: <http://creativecommons.org/licenses/by/3.0/>

Module: "Eliminating Clutter - Closing Notes"

Used here as: "Closing Notes"

By: Charles Severance, Kevin Dowd

URL: <http://cnx.org/content/m33725/1.3/>

Page: 100

Copyright: Charles Severance, Kevin Dowd

License: <http://creativecommons.org/licenses/by/3.0/>

Module: "Eliminating Clutter - Exercises"

Used here as: "Exercises"

By: Charles Severance, Kevin Dowd

URL: <http://cnx.org/content/m33727/1.3/>

Pages: 100-101

Copyright: Charles Severance, Kevin Dowd

License: <http://creativecommons.org/licenses/by/3.0/>

Module: "Loop Optimizations - Introduction"

Used here as: "Introduction"

By: Charles Severance, Kevin Dowd

URL: <http://cnx.org/content/m33728/1.3/>

Pages: 101-102

Copyright: Charles Severance, Kevin Dowd

License: <http://creativecommons.org/licenses/by/3.0/>

Module: "Loop Optimizations - Operation Counting"

Used here as: "Operation Counting"

By: Charles Severance, Kevin Dowd

URL: <http://cnx.org/content/m33729/1.3/>

Pages: 102-103

Copyright: Charles Severance, Kevin Dowd

License: <http://creativecommons.org/licenses/by/3.0/>

Module: "Loop Optimizations - Basic Loop Unrolling"

Used here as: "Basic Loop Unrolling"

By: Charles Severance, Kevin Dowd

URL: <http://cnx.org/content/m33732/1.3/>

Pages: 103-104

Copyright: Charles Severance, Kevin Dowd

License: <http://creativecommons.org/licenses/by/3.0/>

Module: "Loop Optimizations - Qualifying Candidates for Loop Unrolling"

Used here as: "Qualifying Candidates for Loop Unrolling Up one level "

By: Charles Severance, Kevin Dowd

URL: <http://cnx.org/content/m33733/1.3/>

Pages: 104-107

Copyright: Charles Severance, Kevin Dowd

License: <http://creativecommons.org/licenses/by/3.0/>

Module: "Loop Optimizations - Nested Loops"

Used here as: "Nested Loops"

By: Charles Severance, Kevin Dowd

URL: <http://cnx.org/content/m33734/1.3/>

Pages: 107-109

Copyright: Charles Severance, Kevin Dowd

License: <http://creativecommons.org/licenses/by/3.0/>

Module: "Loop Optimizations - Loop Interchange"

Used here as: "Loop Interchange"

By: Charles Severance, Kevin Dowd

URL: <http://cnx.org/content/m33736/1.3/>

Pages: 109-111

Copyright: Charles Severance, Kevin Dowd

License: <http://creativecommons.org/licenses/by/3.0/>

Module: "Loop Optimizations - Memory Access Patterns"

Used here as: "Memory Access Patterns"

By: Charles Severance, Kevin Dowd

URL: <http://cnx.org/content/m33738/1.3/>

Pages: 111-113

Copyright: Charles Severance, Kevin Dowd

License: <http://creativecommons.org/licenses/by/3.0/>

Module: "Loop Optimizations - When Interchange Won't Work"

Used here as: "When Interchange Won't Work"

By: Charles Severance, Kevin Dowd

URL: <http://cnx.org/content/m33741/1.3/>

Pages: 113-114

Copyright: Charles Severance, Kevin Dowd

License: <http://creativecommons.org/licenses/by/3.0/>

Module: "Loop Optimizations - Blocking to Ease Memory Access Patterns"

Used here as: "Blocking to Ease Memory Access Patterns"

By: Charles Severance, Kevin Dowd

URL: <http://cnx.org/content/m33756/1.3/>

Pages: 114-119

Copyright: Charles Severance, Kevin Dowd

License: <http://creativecommons.org/licenses/by/3.0/>

Module: "Loop Optimizations - Programs That Require More Memory Than You Have"

Used here as: "Programs That Require More Memory Than You Have"

By: Charles Severance, Kevin Dowd

URL: <http://cnx.org/content/m33770/1.3/>

Pages: 119-120

Copyright: Charles Severance, Kevin Dowd

License: <http://creativecommons.org/licenses/by/3.0/>

Module: "Loop Optimizations - Closing Notes"

Used here as: "Closing Notes"

By: Charles Severance, Kevin Dowd

URL: <http://cnx.org/content/m33773/1.3/>

Page: 120

Copyright: Charles Severance, Kevin Dowd

License: <http://creativecommons.org/licenses/by/3.0/>

Module: "Loop Optimizations - Exercises"

Used here as: "Exercises"

By: Charles Severance, Kevin Dowd

URL: <http://cnx.org/content/m33777/1.3/>

Pages: 120-122

Copyright: Charles Severance, Kevin Dowd

License: <http://creativecommons.org/licenses/by/3.0/>

Module: "Understanding Parallelism - Introduction"

Used here as: "Introduction"

By: Charles Severance, Kevin Dowd

URL: <http://cnx.org/content/m32775/1.3/>

Pages: 123-124

Copyright: Charles Severance, Kevin Dowd

License: <http://creativecommons.org/licenses/by/3.0/>

Module: "Understanding Parallelism - Dependencies"

Used here as: "Dependencies"

By: Charles Severance, Kevin Dowd

URL: <http://cnx.org/content/m32777/1.3/>

Pages: 124-133

Copyright: Charles Severance, Kevin Dowd

License: <http://creativecommons.org/licenses/by/3.0/>

Module: "Understanding Parallelism - Loops"

Used here as: "Loops"

By: Charles Severance, Kevin Dowd

URL: <http://cnx.org/content/m32784/1.3/>

Pages: 133-135

Copyright: Charles Severance, Kevin Dowd

License: <http://creativecommons.org/licenses/by/3.0/>

Module: "Understanding Parallelism - Loop-Carried Dependencies"

Used here as: "Loop-Carried Dependencies "

By: Charles Severance, Kevin Dowd

URL: <http://cnx.org/content/m32782/1.3/>

Pages: 135-140

Copyright: Charles Severance, Kevin Dowd

License: <http://creativecommons.org/licenses/by/3.0/>

Module: "Understanding Parallelism - Ambiguous References"

Used here as: "Ambiguous References"

By: Charles Severance, Kevin Dowd

URL: <http://cnx.org/content/m32788/1.3/>

Pages: 140-143

Copyright: Charles Severance, Kevin Dowd

License: <http://creativecommons.org/licenses/by/3.0/>

Module: "Understanding Parallelism - Closing Notes"

Used here as: "Closing Notes"

By: Charles Severance, Kevin Dowd

URL: <http://cnx.org/content/m32789/1.3/>

Page: 143

Copyright: Charles Severance, Kevin Dowd

License: <http://creativecommons.org/licenses/by/3.0/>

Module: "Understanding Parallelism - Exercises"

Used here as: "Exercises"

By: Charles Severance, Kevin Dowd

URL: <http://cnx.org/content/m32792/1.3/>

Pages: 143-145

Copyright: Charles Severance, Kevin Dowd

License: <http://creativecommons.org/licenses/by/3.0/>

Module: "Shared-Memory Multiprocessors - Introduction"

Used here as: "Introduction"

By: Charles Severance, Kevin Dowd

URL: <http://cnx.org/content/m32797/1.3/>

Pages: 145-146

Copyright: Charles Severance, Kevin Dowd

License: <http://creativecommons.org/licenses/by/3.0/>

Module: "Shared-Memory Multiprocessors - Symmetric Multiprocessing Hardware"

Used here as: "Symmetric Multiprocessing Hardware"

By: Charles Severance, Kevin Dowd

URL: <http://cnx.org/content/m32794/1.3/>

Pages: 146-151

Copyright: Charles Severance, Kevin Dowd

License: <http://creativecommons.org/licenses/by/3.0/>

Module: "Shared-Memory Multiprocessors - Multiprocessor Software Concepts"

Used here as: "Multiprocessor Software Concepts "

By: Charles Severance, Kevin Dowd

URL: <http://cnx.org/content/m32800/1.3/>

Pages: 151-163

Copyright: Charles Severance, Kevin Dowd

License: <http://creativecommons.org/licenses/by/3.0/>

Module: "Shared-Memory Multiprocessors - Techniques for Multithreaded Programs"

Used here as: "Techniques for Multithreaded Programs"

By: Charles Severance, Kevin Dowd

URL: <http://cnx.org/content/m32802/1.3/>

Pages: 163-166

Copyright: Charles Severance, Kevin Dowd

License: <http://creativecommons.org/licenses/by/3.0/>

Module: "Shared-Memory Multiprocessors - A Real Example"

Used here as: "A Real Example "

By: Charles Severance, Kevin Dowd

URL: <http://cnx.org/content/m32804/1.3/>

Pages: 166-168

Copyright: Charles Severance, Kevin Dowd

License: <http://creativecommons.org/licenses/by/3.0/>

Module: "Shared-Memory Multiprocessors - Closing Notes"

Used here as: "Closing Notes"

By: Charles Severance, Kevin Dowd

URL: <http://cnx.org/content/m32807/1.3/>

Pages: 168-169

Copyright: Charles Severance, Kevin Dowd

License: <http://creativecommons.org/licenses/by/3.0/>

Module: "Shared-Memory Multiprocessors - Exercises"

Used here as: "Exercises"

By: Charles Severance, Kevin Dowd

URL: <http://cnx.org/content/m32810/1.3/>

Pages: 169-170

Copyright: Charles Severance, Kevin Dowd

License: <http://creativecommons.org/licenses/by/3.0/>



Module: "Programming Shared-Memory Multiprocessors - Introduction"

Used here as: "Introduction"

By: Charles Severance, Kevin Dowd

URL: <http://cnx.org/content/m32812/1.3/>

Page: 170

Copyright: Charles Severance, Kevin Dowd

License: <http://creativecommons.org/licenses/by/3.0/>

Module: "Programming Shared-Memory Multiprocessors - Automatic Parallelization"

Used here as: "Automatic Parallelization"

By: Charles Severance, Kevin Dowd

URL: <http://cnx.org/content/m32821/1.3/>

Pages: 170-177

Copyright: Charles Severance, Kevin Dowd

License: <http://creativecommons.org/licenses/by/3.0/>

Module: "Programming Shared-Memory Multiprocessors - Assisting the Compiler"

Used here as: "Assisting the Compiler"

By: Charles Severance, Kevin Dowd

URL: <http://cnx.org/content/m32814/1.3/>

Pages: 177-188

Copyright: Charles Severance, Kevin Dowd

License: <http://creativecommons.org/licenses/by/3.0/>

Module: "Programming Shared-Memory Multiprocessors - Closing Notes"

Used here as: "Closing Notes"

By: Charles Severance, Kevin Dowd

URL: <http://cnx.org/content/m32820/1.3/>

Pages: 188-189

Copyright: Charles Severance, Kevin Dowd

License: <http://creativecommons.org/licenses/by/3.0/>

Module: "Programming Shared-Memory Multiprocessors - Exercises"

Used here as: "Exercises"

By: Charles Severance, Kevin Dowd

URL: <http://cnx.org/content/m32819/1.3/>

Pages: 189-190

Copyright: Charles Severance, Kevin Dowd

License: <http://creativecommons.org/licenses/by/3.0/>

Module: "Language Support for Performance - Introduction"

Used here as: "Introduction"

By: Charles Severance, Kevin Dowd

URL: <http://cnx.org/content/m33744/1.3/>

Page: 191

Copyright: Charles Severance, Kevin Dowd

License: <http://creativecommons.org/licenses/by/3.0/>

Module: "Language Support for Performance - Data-Parallel Problem: Heat Flow"  
Used here as: "Data-Parallel Problem: Heat Flow"

By: Charles Severance, Kevin Dowd

URL: <http://cnx.org/content/m33751/1.3/>

Pages: 191-195

Copyright: Charles Severance, Kevin Dowd

License: <http://creativecommons.org/licenses/by/3.0/>

Module: "Language Support for Performance - Explicitly Parallel Languages"

Used here as: "Explicitly Parallel Languages"

By: Charles Severance, Kevin Dowd

URL: <http://cnx.org/content/m33754/1.3/>

Pages: 195-196

Copyright: Charles Severance, Kevin Dowd

License: <http://creativecommons.org/licenses/by/3.0/>

Module: "Language Support for Performance - FORTRAN 90"

Used here as: "FORTRAN 90"

By: Charles Severance, Kevin Dowd

URL: <http://cnx.org/content/m33757/1.3/>

Pages: 196-204

Copyright: Charles Severance, Kevin Dowd

License: <http://creativecommons.org/licenses/by/3.0/>

Module: "Language Support for Performance - Problem Decomposition"

Used here as: "Problem Decomposition"

By: Charles Severance, Kevin Dowd

URL: <http://cnx.org/content/m33762/1.3/>

Pages: 204-206

Copyright: Charles Severance, Kevin Dowd

License: <http://creativecommons.org/licenses/by/3.0/>

Module: "Language Support for Performance - High Performance FORTRAN (HPF)"

Used here as: "High Performance FORTRAN (HPF)"

By: Charles Severance, Kevin Dowd

URL: <http://cnx.org/content/m33765/1.3/>

Pages: 206-212

Copyright: Charles Severance, Kevin Dowd

License: <http://creativecommons.org/licenses/by/3.0/>

Module: "Language Support for Performance - Closing Notes"

Used here as: "Closing Notes"

By: Charles Severance, Kevin Dowd

URL: <http://cnx.org/content/m33775/1.3/>

Page: 212

Copyright: Charles Severance, Kevin Dowd

License: <http://creativecommons.org/licenses/by/3.0/>

Module: "Message-Passing Environments - Introduction"

Used here as: "Introduction"

By: Charles Severance, Kevin Dowd

URL: <http://cnx.org/content/m33781/1.3/>

Page: 213

Copyright: Charles Severance, Kevin Dowd

License: <http://creativecommons.org/licenses/by/3.0/>

Module: "Message-Passing Environments - Parallel Virtual Machine"

Used here as: "Parallel Virtual Machine"

By: Charles Severance, Kevin Dowd

URL: <http://cnx.org/content/m33779/1.3/>

Pages: 213-225

Copyright: Charles Severance, Kevin Dowd

License: <http://creativecommons.org/licenses/by/3.0/>

Module: "Message-Passing Environments - Message-Passing Interface"

Used here as: "Message-Passing Interface"

By: Charles Severance, Kevin Dowd

URL: <http://cnx.org/content/m33783/1.3/>

Pages: 225-237

Copyright: Charles Severance, Kevin Dowd

License: <http://creativecommons.org/licenses/by/3.0/>

Module: "Message-Passing Environments - Closing Notes"

Used here as: "Closing Notes"

By: Charles Severance, Kevin Dowd

URL: <http://cnx.org/content/m33784/1.3/>

Page: 237

Copyright: Charles Severance, Kevin Dowd

License: <http://creativecommons.org/licenses/by/3.0/>

Module: "What is High Performance Computing - Introduction"

Used here as: "Introduction"

By: Charles Severance, Kevin Dowd

URL: <http://cnx.org/content/m33671/1.3/>

Page: 239

Copyright: Charles Severance, Kevin Dowd

License: <http://creativecommons.org/licenses/by/3.0/>

Module: "What is High Performance Computing - Why CISC?"

Used here as: "Why CISC?"

By: Charles Severance, Kevin Dowd

URL: <http://cnx.org/content/m33672/1.3/>

Pages: 239-241

Copyright: Charles Severance, Kevin Dowd

License: <http://creativecommons.org/licenses/by/3.0/>

Module: "What is High Performance Computing - Fundamental of RISC"

Used here as: "Fundamental of RISC"

By: Charles Severance, Kevin Dowd

URL: <http://cnx.org/content/m33673/1.3/>

Pages: 241-250

Copyright: Charles Severance, Kevin Dowd

License: <http://creativecommons.org/licenses/by/3.0/>

Module: "What is High Performance Computing - Second-Generation RISC Processors"

Used here as: "Second-Generation RISC Processors"

By: Charles Severance, Kevin Dowd

URL: <http://cnx.org/content/m33675/1.3/>

Pages: 250-252

Copyright: Charles Severance, Kevin Dowd

License: <http://creativecommons.org/licenses/by/3.0/>

Module: "What is High Performance Computing - RISC Means Fast"

Used here as: "RISC Means Fast"

By: Charles Severance, Kevin Dowd

URL: <http://cnx.org/content/m33679/1.3/>

Pages: 252-253

Copyright: Charles Severance, Kevin Dowd

License: <http://creativecommons.org/licenses/by/3.0/>

Module: "What is High Performance Computing - Out-of-Order Execution: The Post-RISC Architecture"

Used here as: "Out-of-Order Execution: The Post-RISC Architecture"

By: Charles Severance, Kevin Dowd

URL: <http://cnx.org/content/m33677/1.3/>

Pages: 253-255

Copyright: Charles Severance, Kevin Dowd

License: <http://creativecommons.org/licenses/by/3.0/>

Module: "What is High Performance Computing - Closing Notes"

Used here as: "Closing Notes"

By: Charles Severance, Kevin Dowd

URL: <http://cnx.org/content/m33683/1.3/>

Page: 255

Copyright: Charles Severance, Kevin Dowd

License: <http://creativecommons.org/licenses/by/3.0/>

Module: "What is High Performance Computing - Exercises"

Used here as: "Exercises"

By: Charles Severance, Kevin Dowd

URL: <http://cnx.org/content/m33682/1.3/>

Pages: 255-256

Copyright: Charles Severance, Kevin Dowd

License: <http://creativecommons.org/licenses/by/3.0/>

Module: "Appendix B to "High Performance Computing": Looking at Assembly Language"

Used here as: "Assembly Language"

By: Charles Severance, Kevin Dowd

URL: <http://cnx.org/content/m33787/1.3/>

Pages: 256-266

Copyright: Charles Severance, Kevin Dowd

License: <http://creativecommons.org/licenses/by/3.0/>

## **High Performance Computing**

The purpose of this book, High Performance Computing has always been to teach new programmers and scientists about the basics of High Performance Computing. This book is for learners with a basic understanding of modern computer architecture, not advanced degrees in computer engineering, as it is an easily understood introduction and overview of the topic. Originally published by O'Reilly Media in 1998, the book has since gone out of print and has now been released under the Creative Commons Attribution License on Connexions.

## **About Connexions**

Since 1999, Connexions has been pioneering a global system where anyone can create course materials and make them fully accessible and easily reusable free of charge. We are a Web-based authoring, teaching and learning environment open to anyone interested in education, including students, teachers, professors and lifelong learners. We connect ideas and facilitate educational communities.

Connexions's modular, interactive courses are in use worldwide by universities, community colleges, K-12 schools, distance learners, and lifelong learners. Connexions materials are in many languages, including English, Spanish, Chinese, Japanese, Italian, Vietnamese, French, Portuguese, and Thai. Connexions is part of an exciting new information distribution system that allows for **Print on Demand Books**. Connexions has partnered with innovative on-demand publisher QOOP to accelerate the delivery of printed course materials and textbooks into classrooms worldwide at lower prices than traditional academic publishers.